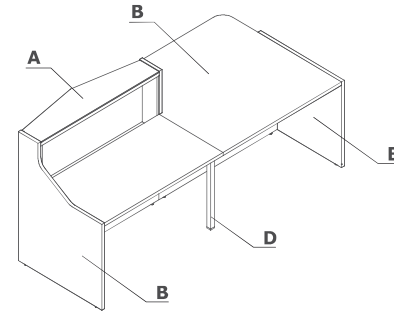
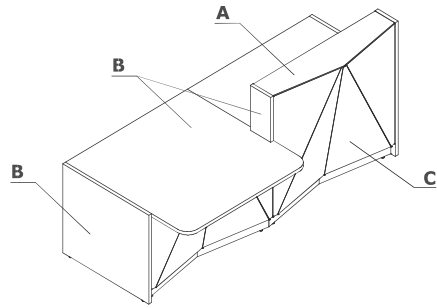


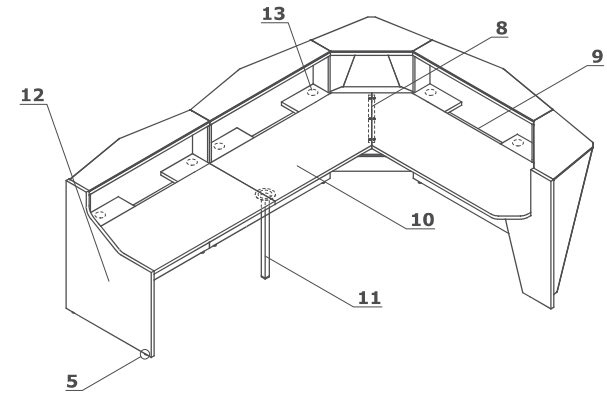
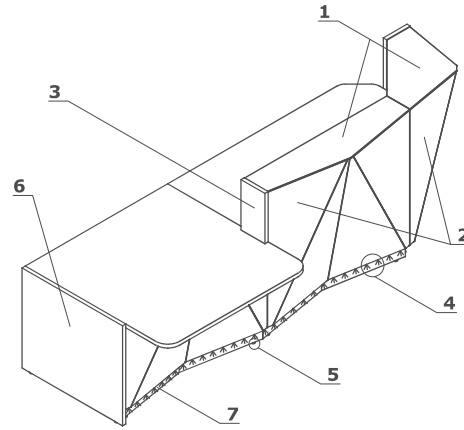
**Colour combination - Alpa**



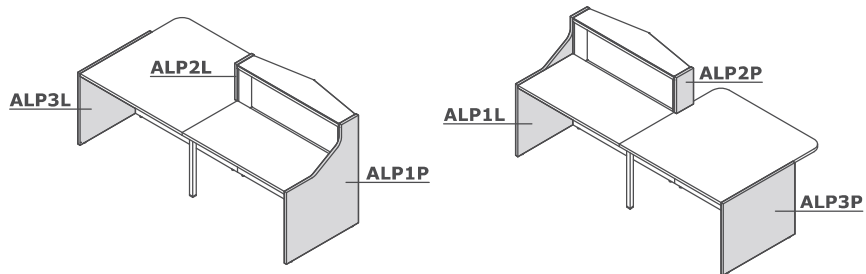
Material	Colour	All elements															
		A - Upper top	B - Body	C - Front	D - Supporting legs												
Glass	116 - glass black - RAL 9005	✓	08 - black	✓													
	117 - glass white - RAL 9003	✓	67 - white pastel	✓													
	124 - glass silver - RAL 9007	✓	26 - aluminum satinato	✓													
Metal	M009 - aluminium semi-matt RAL 9006				✓												
	M015 - white semi-matt RAL 9010				✓												
	M115 - black semi-matt RAL 9005				✓												

## Technical specification

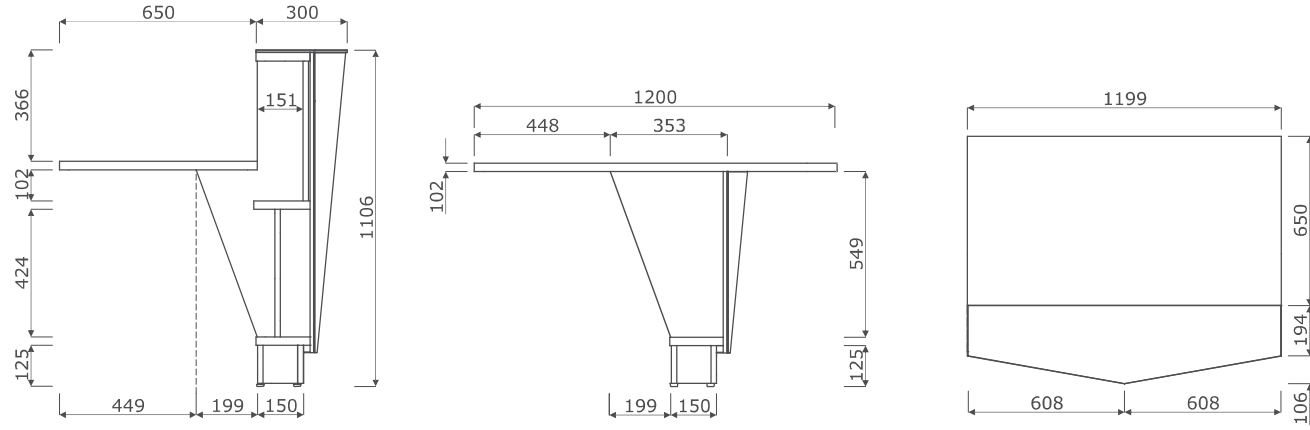
- 1 Top** - MFC 28 mm, tempered glass 8 mm
- 2 Front** - MFC 12 mm + Glass LACOBEL 4 mm
- 3 Side panel linking low and high fronts** - MFC 28 mm, ABS edge
- 4 LED illumination** - at the full length of the reception desk, cold white color (verging on the blue shade);
- 5 Leveling** - 5 mm range
- 6 Low side panel** - MFC 28 mm, ABS edge
- 7 Kick plate** - HPL - brushed aluminium
- 8 Fixing flat bar**
- 9 Monitor shelf** - MFC 28 mm
- 10 Worktop** - MFC 28 mm, ABS edge, fitted with 2 MFC-caps
- 11 Supporting leg** - NG41 - powder coated steel, required for connecting the tops
- 12 High side panel** - MFC 28 mm, ABS edge
- 13 Cable grommets** - Ø80 mm



## Ending elements application



Dimensions (mm)



Symbol		Price EUR	Dimensions					kg m3 pcs	Composition elements
A	B		W1	W2	D1	D2	H		
<b>ALP04L</b>	<b>ALP04P</b>	<b>4580,-</b>	1835	946			1100	214,25 kg 1,047 m3 7 pcs	A - ALP18L+ALP1P B - ALP1L+ALP18P

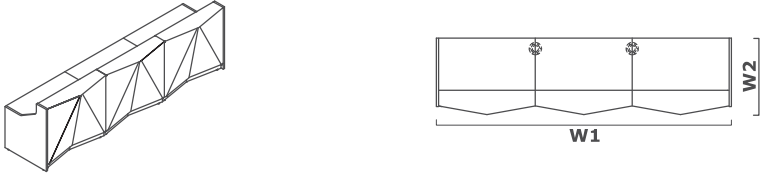
Extra charge						

Symbol		Price EUR	Dimensions					kg m3 pcs	Composition elements
			W1	W2	D1	D2	H		
<b>ALP05</b>		<b>2620,-</b>	1256	946			1100	150,85 kg 0,782 m3 5 pcs	ALP1L+ALP12+ALP1P

Extra charge						

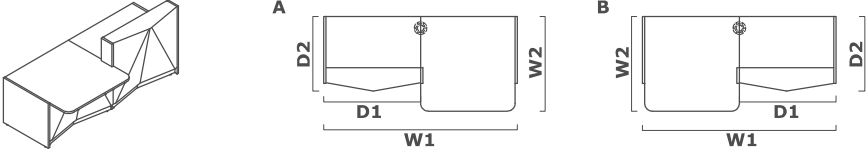
Symbol		Price EUR	Dimensions					kg m3 pcs	Composition elements
			W1	W2	D1	D2	H		
<b>ALP06</b>		<b>5032,-</b>	2456	946			1100	69,35 kg 0,131 m3 7 pcs	ALP1L+2xALP12+ALP1P+NG41

Extra charge						



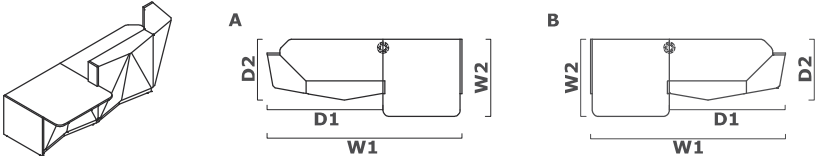
Symbol		Price EUR	Dimensions					kg m3 pcs	Composition elements
			W1	W2	D1	D2	H		
<b>ALP07</b>		<b>7444,-</b>	3656	946			1100	391.85 kg 2.214 m3 13 pcs	ALP1L+3xALP12+ALP1P+2xNG41

Extra charge						



Symbol		Price EUR	Dimensions					kg m3 pcs	Composition elements
A	B		W1	W2	D1	D2	H		
<b>ALP21L</b>	<b>ALP21P</b>	<b>4996,-</b>	2456	1200	1228	950	1100	245.4 kg 1.273 m3 10 pcs	A - ALP3L+ALP11+ALP2L+ALP12+ALP1P+NG41 B - ALP1L+ALP12+ALP2P+ALP11+ALP3P+NG41

Extra charge						



Symbol		Price EUR	Dimensions					kg m3 pcs	Composition elements
A	B		W1	W2	D1	D2	H		
<b>ALP22L</b>	<b>ALP22P</b>	<b>6956,-</b>	3034	1200	1806	950	1100	309.7 kg 1.538 m3 12 pcs	A - ALP3L+ALP11+ALP2L+ALP18P+NG41 B - ALP18L+ALP2P+ALP11+ALP3P+NG41

Extra charge						

Symbol	Price EUR	Dimensions					kg m3 pcs	Composition elements
		W1	W2	D1	D2	H		
<b>ALP15</b>	<b>8952,-</b>	3613	946			1100	399,05 kg 2,029 m3 13 pcs	ALP18L+ALP18P+NG41


Extra charge						

Symbol	Price EUR	Dimensions					kg m3 pcs	Composition elements
		W1	W2	D1	D2	H		
<b>ALP16</b>	<b>11364,-</b>	4813	946			1100	519,55 kg 2,745 m3 17 pcs	ALP18L+ALP12+ALP18P+2xNG41

Extra charge						

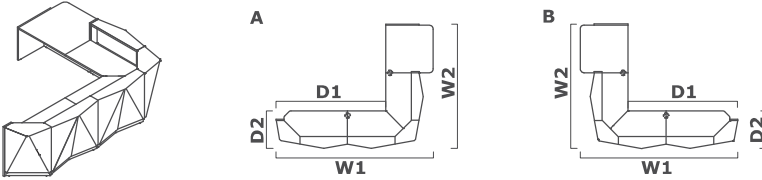
Symbol	Price EUR	Dimensions					kg m3 pcs	Composition elements
		W1	W2	D1	D2	H		
<b>ALP25</b>	<b>11422,-</b>	4813	1200			1100	498,6 kg 2,534 m3 19 pcs	ALP18L+ALP2L+ALP11+ALP2P+ALP18P+2xNG41

Extra charge						



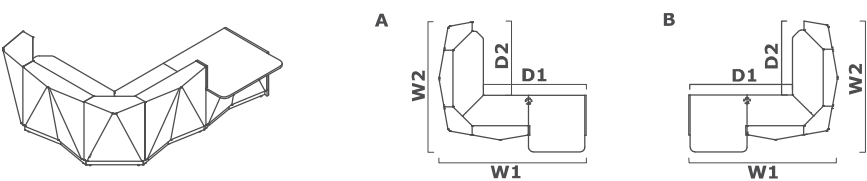
Symbol		Price EUR	Dimensions					kg m3 pcs	Composition elements
			W1	W2	D1	D2	H		
<b>ALP14</b>		<b>10300,-</b>	2514	2514	1568	1568	1100	463.65 kg 2.307 m3 14 pcs	

Extra charge						



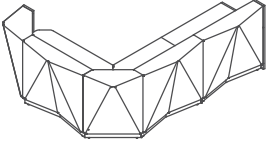
Symbol		Price EUR	Dimensions					kg m3 pcs	Composition elements
A	B		W1	W2	D1	D2	H		
<b>ALP24L</b>	<b>ALP24P</b>	<b>13788,-</b>	3967	3135	2768	950	1100	616.6 kg 3,248 m3 21 pcs	A - ALP3L+ALP11+ALP2L+ALP90+ALP18P+2xNG41 B - ALP18L+ALP90+ALP2P+ALP11+ALP3P+2xNG41

Extra charge						

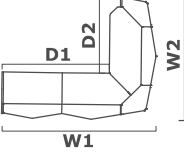


Symbol		Price EUR	Dimensions					kg m3 pcs	Composition elements
A	B		W1	W2	D1	D2	H		
<b>ALP23L</b>	<b>ALP23P</b>	<b>11146,-</b>	3135	2767	2189	1568	1100	494.4 kg 2.532 m3 17 pcs	A - ALP3L+ALP11+ALP2L+ALP19P+NG41 B - ALP19L+ALP2P+ALP11+ALP3P+NG41

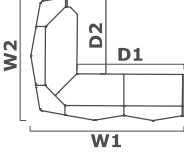
Extra charge						



**A**

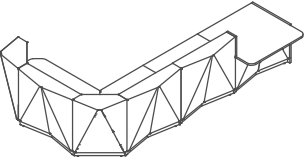


**B**

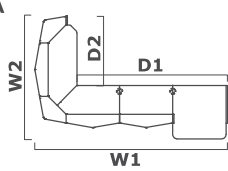


Symbol		Price EUR	Dimensions					kg m3 pcs	Composition elements
A	B		W1	W2	D1	D2	H		
<b>ALP17L</b>	<b>ALP17P</b>	<b>11182,-</b>	3135	2514	2189	1568	1100	521.55 kg 2.757 m3 16 pcs	A - ALP19L+ALP12+ALP1P+NG41 B - ALP1L+ALP12+ALP19P+NG41

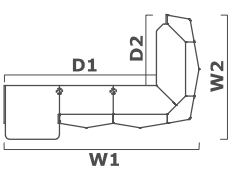
Extra charge						



**A**

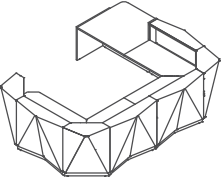


**B**

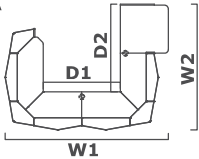


Symbol		Price EUR	Dimensions					kg m3 pcs	Composition elements
A	B		W1	W2	D1	D2	H		
<b>ALP26L</b>	<b>ALP26P</b>	<b>13558,-</b>	4335	2767	3390	1568	1100	614.9 kg 3.248 m3 21 pcs	A - ALP3L+ALP11+ALP2L+ALP12+ALP19P+2xNG41 B - ALP19L+ALP12+ALP2P+ALP11+ALP3P+2xNG41

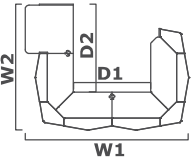
Extra charge						



**A**



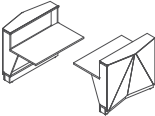
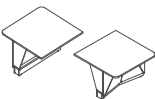
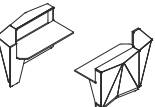
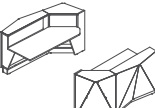
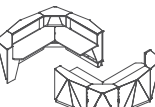
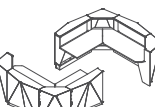
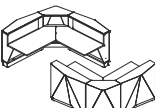
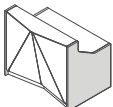
**B**



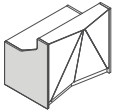
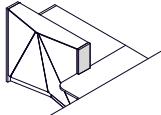
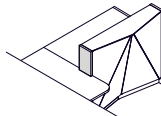
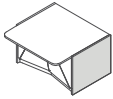
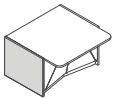

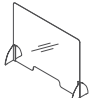
Symbol		Price EUR	Dimensions					kg m3 pcs	Composition elements
A	B		W1	W2	D1	D2	H		
<b>ALP27L</b>	<b>ALP27P</b>	<b>17978,-</b>	4069	3135	1922	2189	1100	801.3 kg 4.242 m3 26 pcs	A - ALP3L+ALP11+ALP2L+ALP90+ALP19P+2xNG41 B - ALP19L+ALP90+ALP2P+ALP11+ALP3P+2xNG41

Extra charge						



Composition elements							
	Symbol	Price EUR	Dimensions			kg m3 pcs	Comments
			Width	Depth	Height		
	<b>ALP12</b>	<b>2360,-</b>	1200	946	1100	118.5 kg 0.714 m3 3 pcs	
	<b>ALP11</b>	<b>2250,-</b>	1200	1200	740	93.75 kg 0.495 m3 3 pcs	
	<b>ALP18L</b>	<b>4450,-</b>	1806	946	1100	198.05 kg 1.013 m3 6 pcs	
	<b>ALP18P</b>	<b>4450,-</b>	1806	946	1100	199 kg 1.013 m3 6 pcs	
	<b>ALP19L</b>	<b>8640,-</b>	2514	1907	1100	384.85 kg 2.007 m3 11 pcs	
	<b>ALP19P</b>	<b>8640,-</b>	2514	1907	1100	383.7 kg 2.007 m3 11 pcs	
	<b>ALP90</b>	<b>6780,-</b>	1907	1907	1100	304.9 kg 1.708 m3 8 pcs	
	<b>ALP1L</b>	<b>130,-</b>	846	28	1100	16.15 kg 0.034 m3 1 pcs	side panel for high units -left

Extra charge							




Composition elements							
	Symbol	Price EUR	Dimensions			kg m3 pcs	Comments
			Width	Depth	Height		
	<b>ALP1P</b>	<b>130,-</b>	846	28	1100	16.2 kg 0.034 m3 1 pcs	side panel for high units - right
	<b>ALP2L</b>	<b>84,-</b>	200	28	368	1.7 kg 0.004 m3 1 pcs	left upper side panel for combining low and high element
	<b>ALP2P</b>	<b>84,-</b>	200	28	368	2.1 kg 0.004 m3 1 pcs	right upper side panel for combining low and high element
	<b>ALP3L</b>	<b>120,-</b>	846	28	730	13.25 kg 0.024 m3 1 pcs	left side panel for low unit
	<b>ALP3P</b>	<b>120,-</b>	846	28	730	13.3 kg 0.024 m3 1 pcs	right side panel for low unit
	<b>NG41</b>	<b>52,-</b>	40	40	712	2 kg 0.002 m3 1 pcs	square leg
	<b>NPX1</b>	<b>158,-</b>	1000	250	750	8.8 kg 0.01 m3 2 pcs	sneeze guard, clear PET material + metal feet, colour: M009 - aluminium semi-matte

Extra charge








## MFC

 08 - black	 26 - aluminum satinato	 31 - canadian oak	 64 - cocoa	 67 - white pastel	 106 - lowland walnut	 167 - grey oak	 168 - natural oak
 169 - honey oak	 170 - acacia	 172 - amber oak	 173 - robinia				








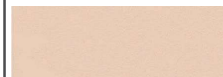







## Metal

 M009 - aluminium semi-matt RAL 9006	 M015 - white semi-matt RAL 9010	 M115 - black semi-matt RAL 9005
---	---	---

## Glass

 116 - glass black - RAL 9005	 117 - glass white - RAL 9003	 124 - glass silver - RAL 9007	 134 - glass turquoise - NCS S 4050B20G	 135 - glass yellow - RAL DESIGN 0908080	 136 - glass pink - RAL DESIGN 3404045
---	---	--	---	---	---

## HPL

 26 - aluminum satinato	 31 - canadian oak	 67 - white pastel	 73 - white high gloss	 101 - black high gloss	 148 - grey high gloss	 155 - anthracite high gloss	 174 - beige matte
 175 - truffle matte	 176 - red matte	 177 - grey matte	 178 - avocado matte	 179 - bottle green matte	 180 - Prussian blue matte	 184 - sky-blue matte	