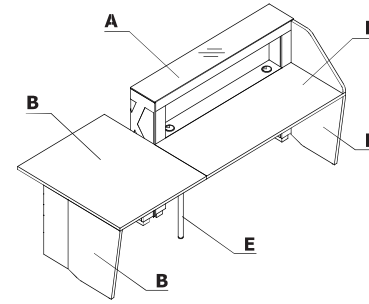
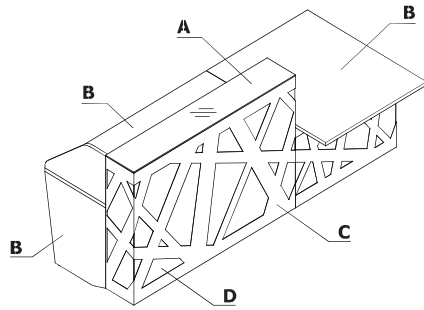


.mdd

Reception desks

v5.2022

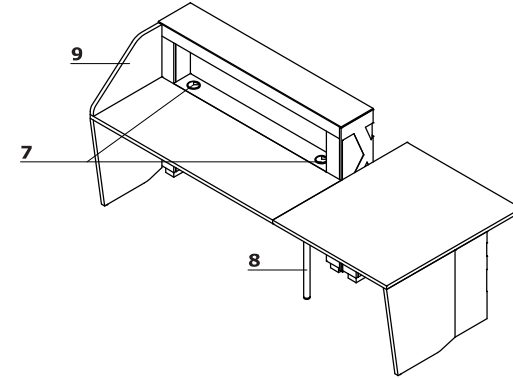
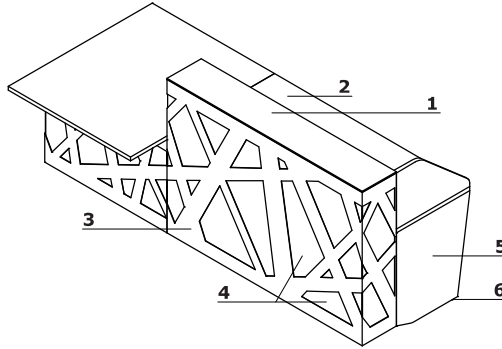
Colour combination - Zig - Zag



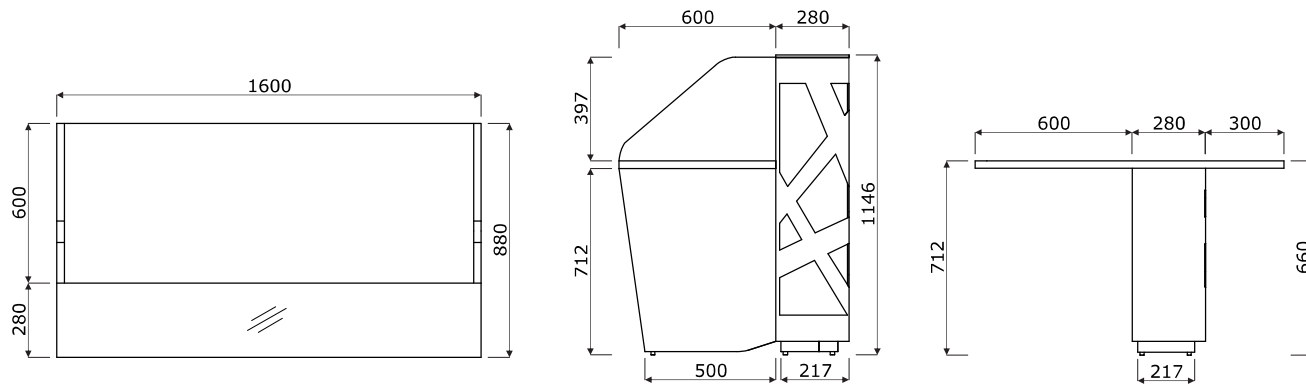
| Material | Colour | All elements | | | | | | | | | | | | | | | | |
|----------|-------------------------------|---------------|----------|-------------------|------------------------|--------------------|--|--|--|--|--|--|--|--|--|--|--|--|
| | | A - Upper top | B - Body | C - Front - metal | D - Front - plexiglass | E - Supporting leg | | | | | | | | | | | | |
| | 117 - glass white - RAL 9003 | ✓ | | | | | | | | | | | | | | | | |
| | MFC - 67 - white pastel | | ✓ | | | | | | | | | | | | | | | |
| | Metal - M015 - white semi-mat | | | ✓ | | ✓ | | | | | | | | | | | | |
| | Plexiglas - white | | | | ✓ | | | | | | | | | | | | | |

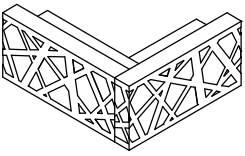
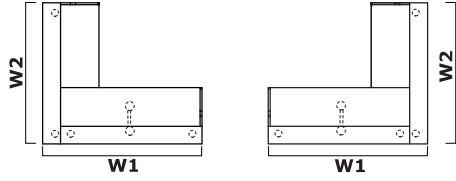
Technical specification

- 1 Top** - tempered optiwhite glass, 8 mm - painted on bottom side
- 2 Worktop** - MFC 28 mm, ABS edge
- 3 Front** - powder coated steel and plexiglas
- 4 Light source** - RGBW LED, remote control
- 5 Low side panel** - MFC 28 mm, ABS edge
- 6 Leveling** - 5 mm range
- 7 Cable grommets** - Ø80 mm
- 8 Supporting leg NL41** - required for connecting the tops
- 9 Side panel** - MFC 28 mm, ABS edge

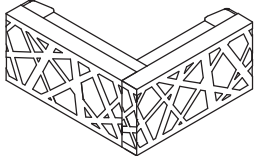
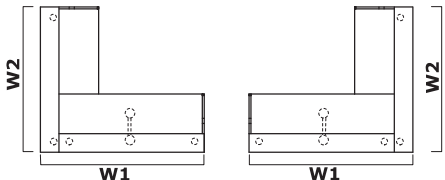


Dimensions (mm)

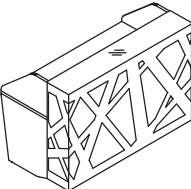
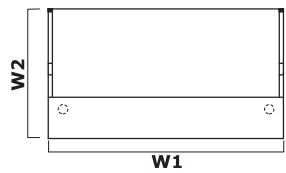


|   | | | | | | | | |
|--|----------------|------------|------|----|----|------|--------------------------------|---------------------------------|
| Symbol | Price EUR | Dimensions | | | | | kg m3 pcs | Composition elements |
| | | W1 | W2 | D1 | D2 | H | | |
| LZG44 | 10312,- | 2480 | 2200 | | | 1146 | 320.5 kg 3,224 m3 14 pcs | LZN51+LZB22+2xLZG22+LZB22M+NL41 |

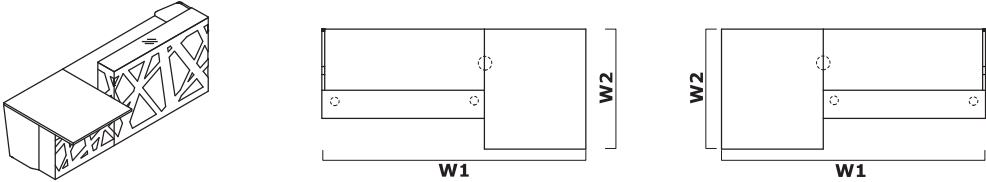
| Extra charge | | | | | | |
|--------------|--|--|--|--|--|--|
| | | | | | | |
| | | | | | | |

|   | | | | | | | | |
|--|----------------|------------|------|----|----|------|------------------------------|--|
| Symbol | Price EUR | Dimensions | | | | | kg m3 pcs | Composition elements |
| | | W1 | W2 | D1 | D2 | H | | |
| LZG45 | 10404,- | 2480 | 2200 | | | 1146 | 328 kg 3,243 m3 15 pcs | LZN51+LZK01+2xLZG22+LZB22 +LZB22M+NL41 |

| Extra charge | | | | | | |
|--------------|--|--|--|--|--|--|
| | | | | | | |
| | | | | | | |

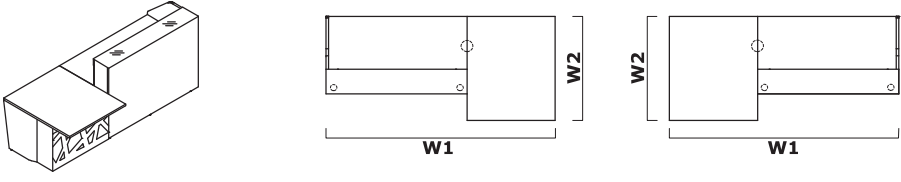
|   | | | | | | | | |
|--|---------------|------------|-----|----|----|------|--------------------------------|-------------------------|
| Symbol | Price EUR | Dimensions | | | | | kg m3 pcs | Composition elements |
| | | W1 | W2 | D1 | D2 | H | | |
| LZG34 | 4178,- | 1600 | 880 | | | 1146 | 149.95 kg 1,245 m3 7 pcs | LZN51+LZK01+LZG16+LZB16 |
| LZG46 | 5304,- | 2200 | 880 | | | 1146 | 181.3 kg 1.69 m3 8 pcs | LZN51+LZK01+LZG22+LZB22 |

| Extra charge | | | | | | |
|--------------|--|--|--|--|--|--|
| | | | | | | |
| | | | | | | |



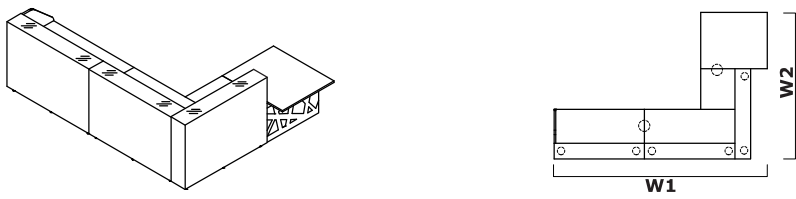
| Symbol | Price EUR | Dimensions | | | | | kg m3 pcs | Composition elements |
|--------------|---------------|------------|------|----|----|------|---------------------------------|--------------------------------------|
| | | W1 | W2 | D1 | D2 | H | | |
| LZG50 | 6658,- | 2600 | 1180 | | | 1146 | 205 kg 1.798 m3 11 pcs | LZN51+LZG10+LZG16+LZB16 +LZK01+NE41L |
| LZG51 | 7784,- | 3200 | 1180 | | | 1146 | 209.35 kg 2.193 m3 11 pcs | LZN51+LZG10+LZG22+LZB22 +LZK01+NE41L |

| Extra charge | | | | | | |
|--------------|--|--|--|--|--|--|
| | | | | | | |
| | | | | | | |
| | | | | | | |



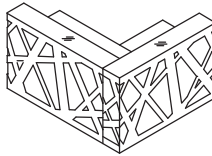
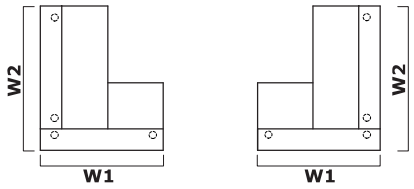
| Symbol | Price EUR | Dimensions | | | | | kg m3 pcs | Composition elements |
|--------------|---------------|------------|------|----|----|------|--------------------------------|---------------------------------------|
| | | W1 | W2 | D1 | D2 | H | | |
| LZG56 | 3923,- | 2600 | 1180 | | | 1146 | 212.3 kg 1.798 m3 11 pcs | LZG10+LZG16M+LZB16+LZN51 +LZK01+NE41L |

| Extra charge | | | | | | |
|--------------|--|--|--|--|--|--|
| | | | | | | |
| | | | | | | |
| | | | | | | |

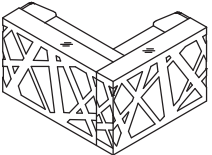
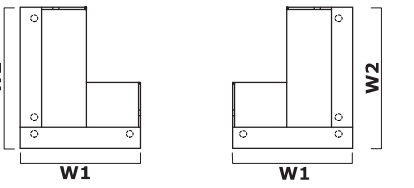


| Symbol | Price EUR | Dimensions | | | | | kg m3 pcs | Composition elements |
|--------------|---------------|------------|------|----|----|------|--------------------------------|---|
| | | W1 | W2 | D1 | D2 | H | | |
| LZG57 | 6397,- | 3200 | 2880 | | | 1146 | 473.4 kg 4.153 m3 23 pcs | LZN51+LZG10+LZB16M+2xLZB16+3xLZG16M+LZK01+2xNE41L |

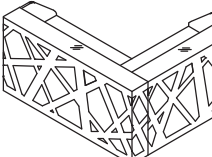
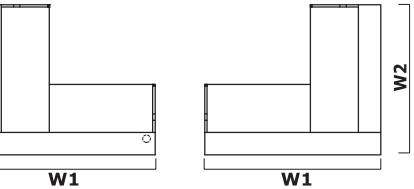
| Extra charge | | | | | | |
|--------------|--|--|--|--|--|--|
| | | | | | | |
| | | | | | | |
| | | | | | | |

|   | | | | | | | | |
|--|---------------|------------|------|----|----|------|--------------------------------|----------------------------|
| Symbol | Price EUR | Dimensions | | | | | kg m3 pcs | Composition elements |
| | | W1 | W2 | D1 | D2 | H | | |
| LZG32 | 8004,- | 1600 | 1880 | | | 1146 | 259.7 kg 2.386 m3 12 pcs | LZB16M+2xLZG16+LZB16+LZN51 |

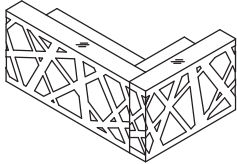
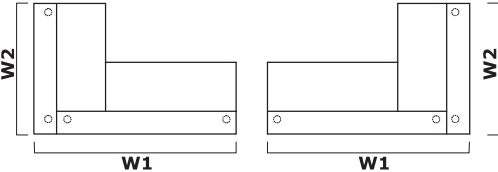
| Extra charge | | | | | | |
|--------------|--|--|--|--|--|--|
| | | | | | | |
| | | | | | | |

|   | | | | | | | | |
|--|---------------|------------|------|----|----|------|--------------------------------|----------------------------------|
| Symbol | Price EUR | Dimensions | | | | | kg m3 pcs | Composition elements |
| | | W1 | W2 | D1 | D2 | H | | |
| LZG35 | 8096,- | 1600 | 1880 | | | 1146 | 267.2 kg 2.405 m3 13 pcs | LZB16M+2xLZG16+LZB16+LZN51+LZK01 |

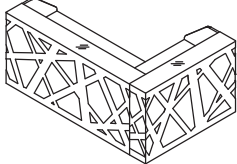
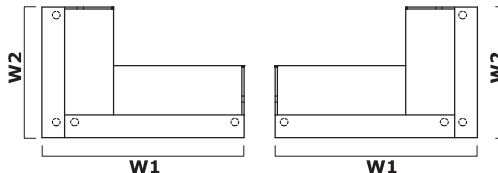
| Extra charge | | | | | | |
|--------------|--|--|--|--|--|--|
| | | | | | | |
| | | | | | | |

|   | | | | | | | | |
|--|---------------|------------|------|----|----|------|---------------------------------|---------------------------------------|
| Symbol | Price EUR | Dimensions | | | | | kg m3 pcs | Composition elements |
| | | W1 | W2 | D1 | D2 | H | | |
| LZG36 | 9222,- | 2200 | 1880 | | | 1146 | 295.95 kg 2.799 m3 13 pcs | LZN51+LZK01+LZB22M+LZG22 +LZB16+LZG16 |

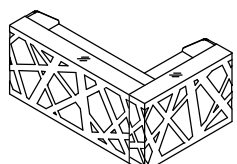
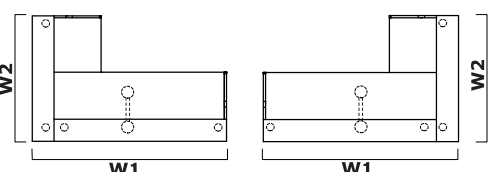
| Extra charge | | | | | | |
|--------------|--|--|--|--|--|--|
| | | | | | | |
| | | | | | | |

|  | |  | | | | | | |
|---|---------------|--|------|----|----|------|---------------------------------|---------------------------------|
| Symbol | Price EUR | Dimensions | | | | | kg m3 pcs | Composition elements |
| | | W1 | W2 | D1 | D2 | H | | |
| LZG38 | 9128,- | 2480 | 1600 | | | 1146 | 288,45 kg 2,779 m3 12 pcs | LZN51+LZB16+LZG22+LZB22M +LZG16 |

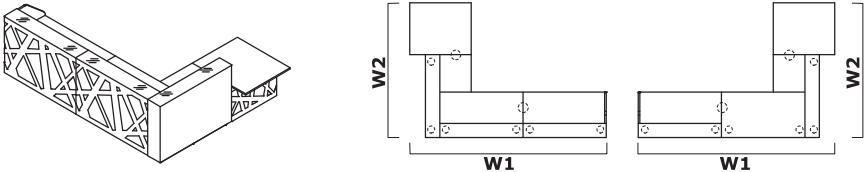
| Extra charge | | | | | |
|--------------|--|--|--|--|--|
| | | | | | |
| | | | | | |

|  | |  | | | | | | |
|---|---------------|--|------|----|----|------|---------------------------------|---------------------------------------|
| Symbol | Price EUR | Dimensions | | | | | kg m3 pcs | Composition elements |
| | | W1 | W2 | D1 | D2 | H | | |
| LZG40 | 9220,- | 2480 | 1600 | | | 1146 | 295,95 kg 2,799 m3 13 pcs | LZN51+LZK01+LZB16+LZG22 +LZB22M+LZG16 |

| Extra charge | | | | | |
|--------------|--|--|--|--|--|
| | | | | | |
| | | | | | |

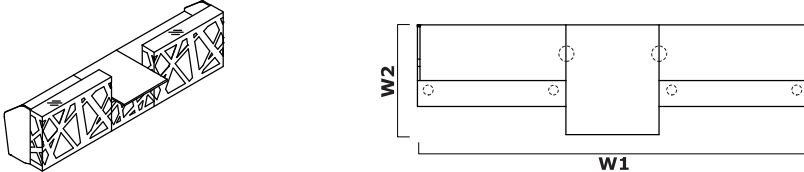
|  | |  | | | | | | |
|--|---------------|---|------|----|----|------|---------------------------------|--|
| Symbol | Price EUR | Dimensions | | | | | kg m3 pcs | Composition elements |
| | | W1 | W2 | D1 | D2 | H | | |
| LZG42 | 9280,- | 2480 | 1600 | | | 1146 | 296,45 kg 2,849 m3 11 pcs | LZN51+LZK01+LZB22+LZG22 +LZB16M+LZG16+NL41 |

| Extra charge | | | | | |
|--------------|--|--|--|--|--|
| | | | | | |
| | | | | | |



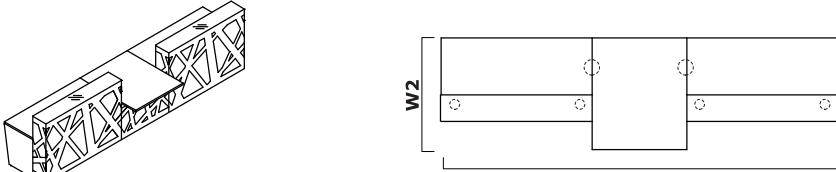
| Symbol | Price EUR | Dimensions | | | | | kg m3 pcs | Composition elements |
|--------------|----------------|------------|------|----|----|------|--------------------------------|--|
| | | W1 | W2 | D1 | D2 | H | | |
| LZG58 | 11867,- | 3808 | 2880 | | | 1146 | 458.8 kg 4.153 m3 23 pcs | LZN51+LZK01+2xLZB16+2xLZG16+LZG16M+LZB16M+LZG10 +2xNE41L |

| Extra charge | | | | | |
|--------------|--|--|--|--|--|
| | | | | | |
| | | | | | |



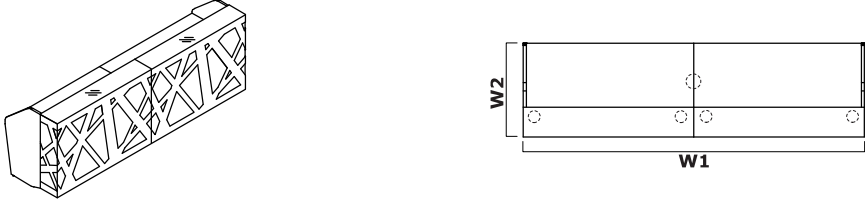
| Symbol | Price EUR | Dimensions | | | | | kg m3 pcs | Composition elements |
|--------------|----------------|------------|------|----|----|------|---------------------------------|--|
| | | W1 | W2 | D1 | D2 | H | | |
| LZG52 | 10684,- | 4200 | 1180 | | | 1146 | 333.45 kg 2.991 m3 17 pcs | LZN51+LZK01+LZB16+LZG16 +LZG10+LZG16+LZB16+2xNE41L |
| LZG53 | 11810,- | 4800 | 1180 | | | 1146 | 364.8 kg 3.435 m3 18 pcs | LZN51+LZK01+LZB16+LZG16 +LZG10+LZG22+LZB22+2xNE41L |
| LZG54 | 12936,- | 5400 | 1180 | | | 1146 | 396.15 kg 3.88 m3 19 pcs | LZN51+LZK01+LZB22+LZG22 +LZG10+LZG22+LZB22+2xNE41L |

| Extra charge | | | | | |
|--------------|--|--|--|--|--|
| | | | | | |
| | | | | | |
| | | | | | |



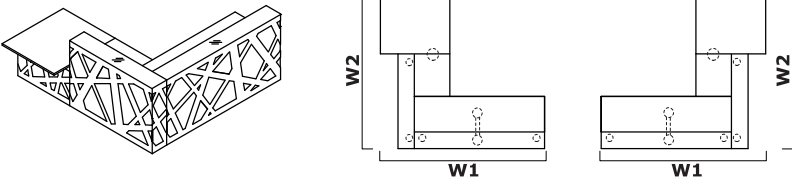
| Symbol | Price EUR | Dimensions | | | | | kg m3 pcs | Composition elements |
|--------------|----------------|------------|------|----|----|------|---------------------------------|--|
| | | W1 | W2 | D1 | D2 | H | | |
| LZG55 | 10592,- | 4200 | 1180 | | | 1146 | 325.95 kg 2.971 m3 16 pcs | LZN51+LZB16+2xLZG16+LZG10 +LZB16+2xNE41L |

| Extra charge | | | | | |
|--------------|--|--|--|--|--|
| | | | | | |
| | | | | | |



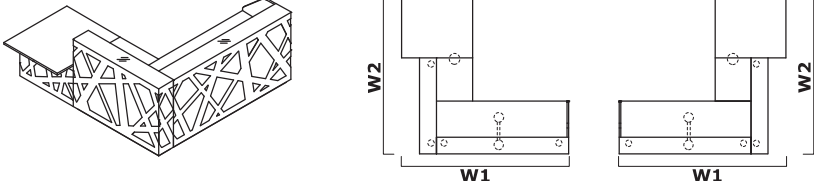
| Symbol | Price EUR | Dimensions | | | | | kg m3 pcs | Composition elements |
|--------------|----------------|------------|-----|----|----|------|---------------------------------|--|
| | | W1 | W2 | D1 | D2 | H | | |
| LZG60 | 8204,- | 3200 | 880 | | | 1146 | 278.4 kg 2.438 m3 13 pcs | LZN51+LZK01+LZB16+LZG16 +LZB16+LZG16+NE41L |
| LZG61 | 9330,- | 3800 | 880 | | | 1146 | 309.75 kg 2.882 m3 14 pcs | LZN51+LZK01+LZB16+LZG16 +LZB22+LZG22+NE41L |
| LZG62 | 10456,- | 4400 | 880 | | | 1146 | 341.1 kg 3.327 m3 15 pcs | LZN51+LZK01+LZB22+LZG22 +LZB22+LZG22+NE41L |

| Extra charge | | | | | |
|--------------|--|--|--|--|--|
| | | | | | |
| | | | | | |
| | | | | | |
| | | | | | |



| Symbol | Price EUR | Dimensions | | | | | kg m3 pcs | Composition elements |
|--------------|----------------|------------|------|----|----|------|--------------------------------|--|
| | | W1 | W2 | D1 | D2 | H | | |
| LZG64 | 11668,- | 2600 | 2780 | | | 1146 | 345.4 kg 3.383 m3 16 pcs | LZN51+LZB22+LZG22+LZG16 +LZB16M+LZG10+NL41+NE41L |

| Extra charge | | | | | |
|--------------|--|--|--|--|--|
| | | | | | |
| | | | | | |
| | | | | | |
| | | | | | |



| Symbol | Price EUR | Dimensions | | | | | kg m3 pcs | Composition elements |
|--------------|----------------|------------|------|----|----|------|--------------------------------|--|
| | | W1 | W2 | D1 | D2 | H | | |
| LZG63 | 12827,- | 2600 | 2780 | | | 1146 | 352.9 kg 3.402 m3 17 pcs | LZN51+LZK01+LZB22+LZG22 +LZG16+LZG16M+LZG10+NL41+NE41L |

| Extra charge | | | | | |
|--------------|--|--|--|--|--|
| | | | | | |
| | | | | | |
| | | | | | |
| | | | | | |

