

Alpa technical specification



.mdd

MDD has a leading position among manufacturers of office furniture with many awards that prove quality and continuously increase demand for it's products.

The realities of today`s market require constant quality improvement at all levels of modern organization. This applies in particular to customer service, marketing, quality of products and also to quality of processes within the company.

Partnership relations among employees and with business partners form a base of economic growth and success of the company.

Constant investments in innovative machinery park, optimization of management systems and an expansion of production halls allow to minimize the lead times for the product of the highest quality.

More than twenty years of experience in office furniture industry come with reference from a long list of companies and institutions to show their appreciation for an efficient and comprehensive service.

MDD is highly aware of the environment.

Being located in the forest region with lake by it's side, MDD takes the nature seriously and invests constantly in a modern and energy-efficient solutions to preserve the local life. Company puts emphasis on waste segregation and recycling. MDD has been awarded for the exceptional care and involvement in waste disposal. All materials used are environmentally friendly and enjoy a high 95 % rate of being recycled.



General informations:

Warranty:

MDD products - **5 years.**

Electrical components and fabric - **2 years.**

Boards density:

12 mm - 690 - 750 kg/m³

18 mm - 650 - 690 kg/m³

28 mm - 610 - 630 kg/m³

36 mm - 610 - 630 kg/m³

Certificate - MFC:



Assembly:

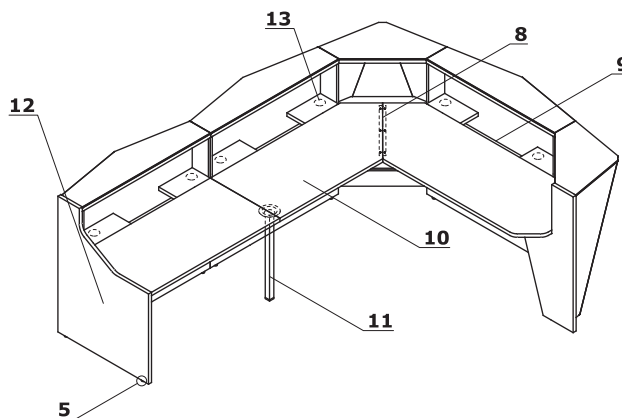
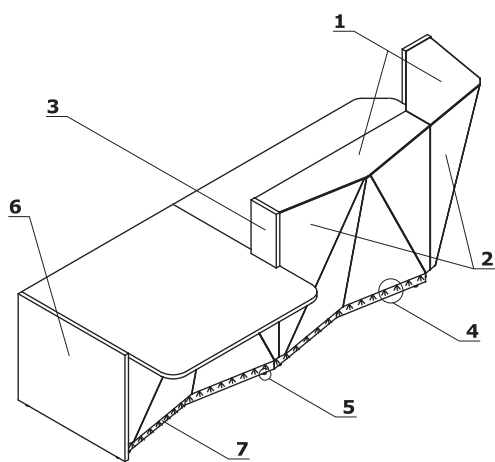
product delivered in separate elements

Packing:

cartboard, perforated plastic mesh wrap

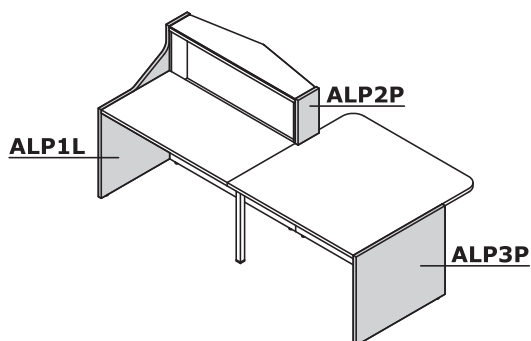
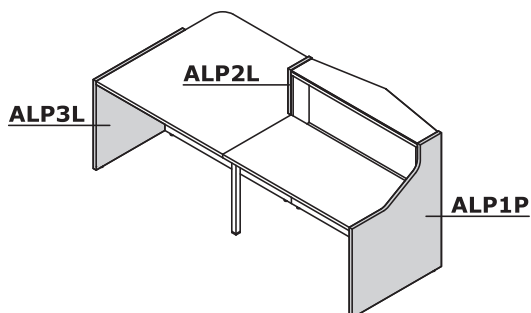
Technical specification

1. Top - MFC 28 mm, tempered glass 8 mm
2. Front - MFC 12 mm + Glass LACOBEL 4 mm
3. Side panel linking low and high fronts - MFC 28 mm, ABS edge
4. LED illumination - at the full length of the reception desk, cold white color (verging on the blue shade)
5. Leveling - 5 mm range
6. Low side panel - MFC 28 mm, ABS edge
7. Kick plate - HPL - brushed aluminium
8. Fixing flat bar
9. Monitor shelf - MFC 28 mm
10. Worktop - MFC 28 mm, ABS edge, fitted with 2 MFC-caps
11. Supporting leg - NG41 - powder coated steel, required for connecting the tops
12. High side panel - MFC 28 mm, ABS edge
13. Cable grommets - Ø80 mm



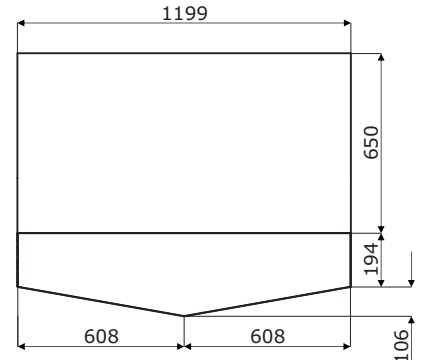
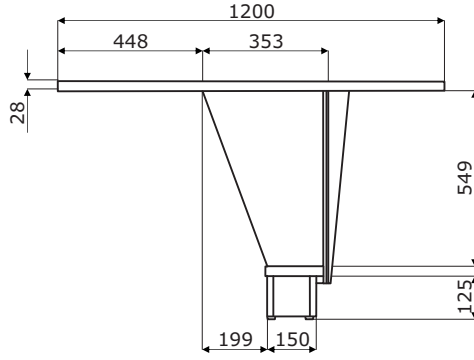
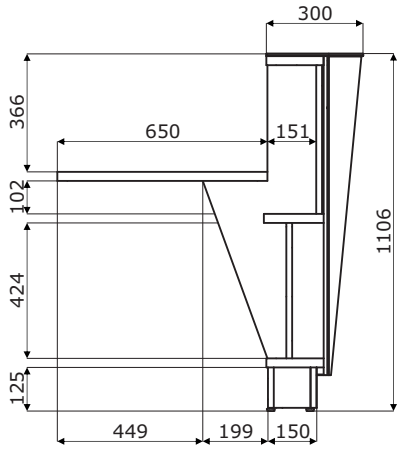
www.mdd.eu

Ending elements application

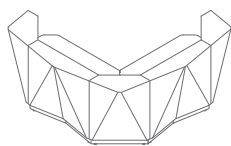


Alpa	Date of preparation 07.05.2020	The data contained in this document is valid in the day of its preparation. Change of the product, as long as it does not affect the basic features of it, does not require consistent updates of the document.	page 3/7 technical specification
------	-----------------------------------	---	-------------------------------------

Dimensions

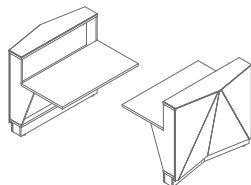


Reception desks *

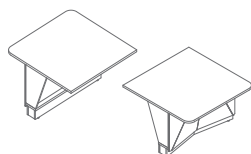


ALP14
2514 / 1568 / 1100
210.5 kg

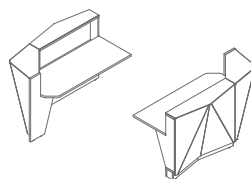
Composition elements *



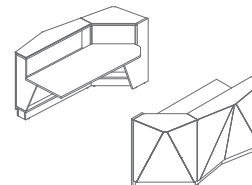
ALP12
1200 / 946 / 1100
50.5 kg



ALP11
1200 / 1200 / 740
57.5 kg

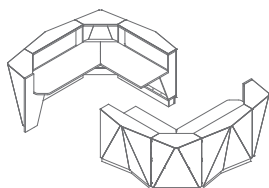


ALP18L
1806 / 946 / 1100
90 kg

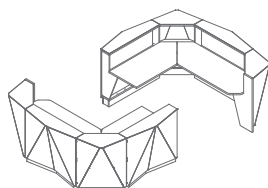


ALP18P
1806 / 946 / 1100
90 kg

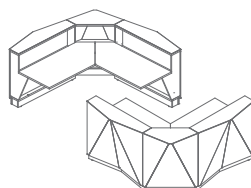
www.mdd.eu



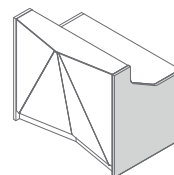
ALP19L
2514 / 1907 / 1100
172.5 kg



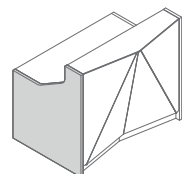
ALP19P
2514 / 1907 / 1100
172.5 kg



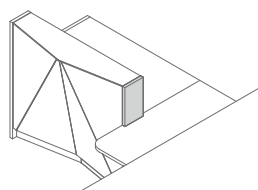
ALP90
1907 / 1907 / 1100
134.5 kg



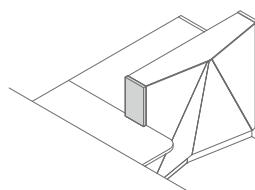
ALP1L
846 / 28 / 1100
13 kg



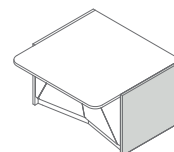
ALP1P
846 / 28 / 1100
13 kg



ALP2L
200 / 28 / 368
1.5 kg



ALP2P
200 / 28 / 368
1.5 kg

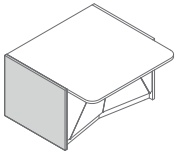


ALP3L
846 / 28 / 730
12 kg

* dimensions expressed in millimeters: width x depth x height

Alpa	Date of preparation 07.05.2020	The data contained in this document is valid in the day of its preparation. Change of the product, as long as it does not affect the basic features of it, does not require consistent updates of the document.	page 5/7
			products

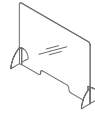
Composition elements *



ALP3P
846 / 28 / 730
12 kg

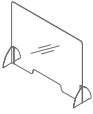


NG41
40 / 40 / 712
2 kg



NPX1
1000 / 250 / 750
3 kg

Sneeze guard *



NPX1
1000 / 250 / 750
3 kg

* dimensions expressed in millimeters: width x depth x height

Alpa	Date of preparation 07.05.2020	The data contained in this document is valid in the day of its preparation. Change of the product, as long as it does not affect the basic features of it, does not require consistent updates of the document.	page 6/7
			products

Upper top, front



116 Glass black
RAL9005



117 Glass white
RAL9003



124 Glass silver
RAL9007



Body



08 Black



67 White pastel



26 Aluminum
satinato

Supporting legs



M009 Aluminum
semi-matt RAL9006



M015 White
semi-matt RAL9010



M115 Black
semi-matt RAL9005