

Ogi N technical specification



.mdd

.mdd has a leading position among manufacturers of office furniture with many awards that prove quality and continuously increase demand for it's products.

The realities of today`s market require constant quality improvement at all levels of modern organization. This applies in particular to customer service, marketing, quality of products and also to quality of processes within the company.

Partnership relations among employees and with business partners form a base of economic growth and success of the company.

Constant investments in innovative machinery park, optimization of management systems and an expansion of production halls allow to minimize the lead times for the product of the highest quality.

More than twenty years of experience in office furniture industry come with reference from a long list of companies and institutions to show their appreciation for an efficient and comprehensive service.

.mdd is higly aware of the environment.

Being located in the forest region with lake by itis side, .mdd takes the nature seriously and invests constantly in a modern and energy-efficient solutions to preserve the local life. Company puts emphasis on waste segregation and recycling. .mdd has been awarded for the exceptional care and involvement in waste disposal. All materials used are environmentally friendly and enjoy a high 95 % rate of being recycled.



General informations:

Warranty:

.mdd products – 5 years.

Electrical components and fabric – 2 years.

Certyficate - MFC:



Compliant with standards:

PN-EN 527-2:2017-02

Boards density:

12 mm - 690 - 750 kg/m³

18 mm - 650 - 690 kg/m³

28 mm - 610 - 630 kg/m³

36 mm - 610 - 630 kg/m³

Assembly:

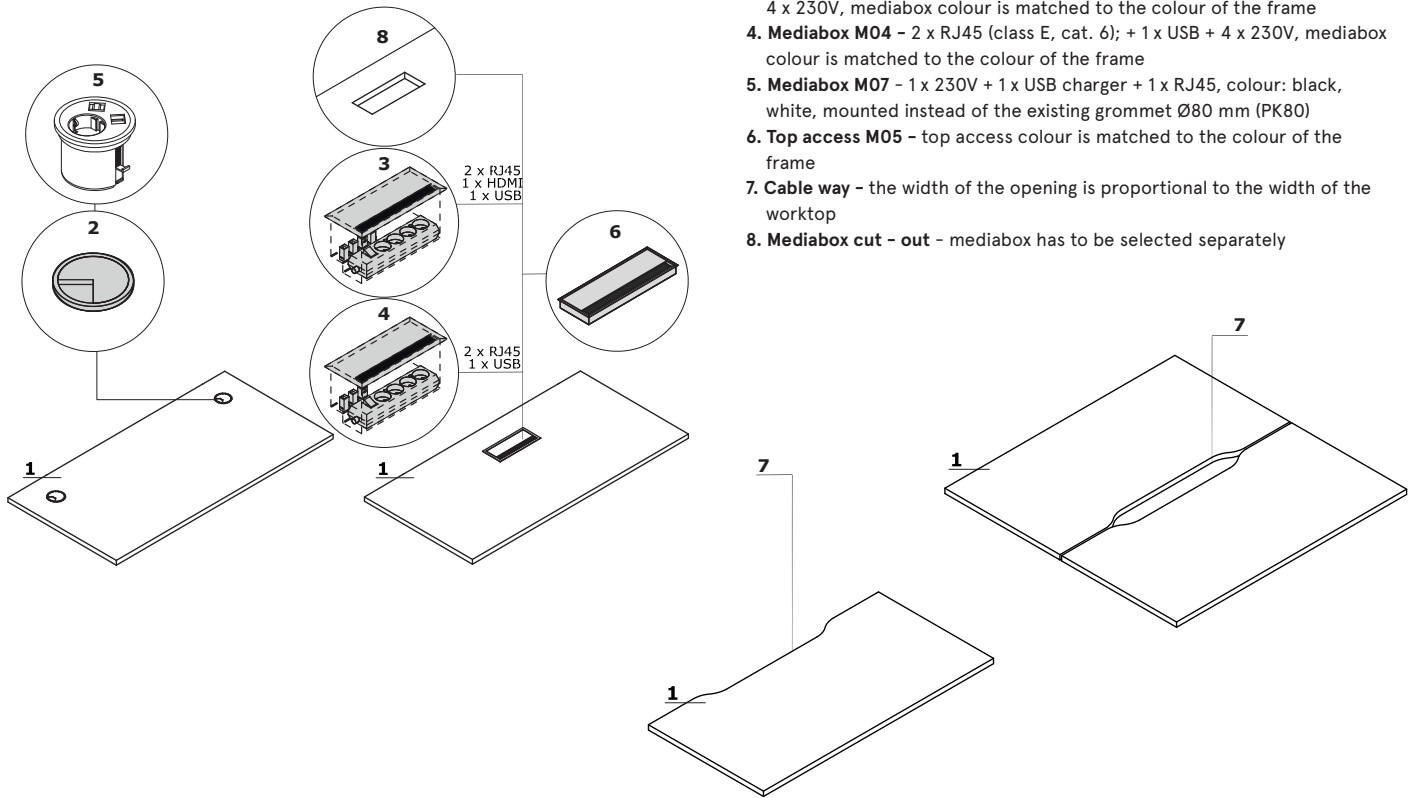
product delivered in separate elements

Packing:

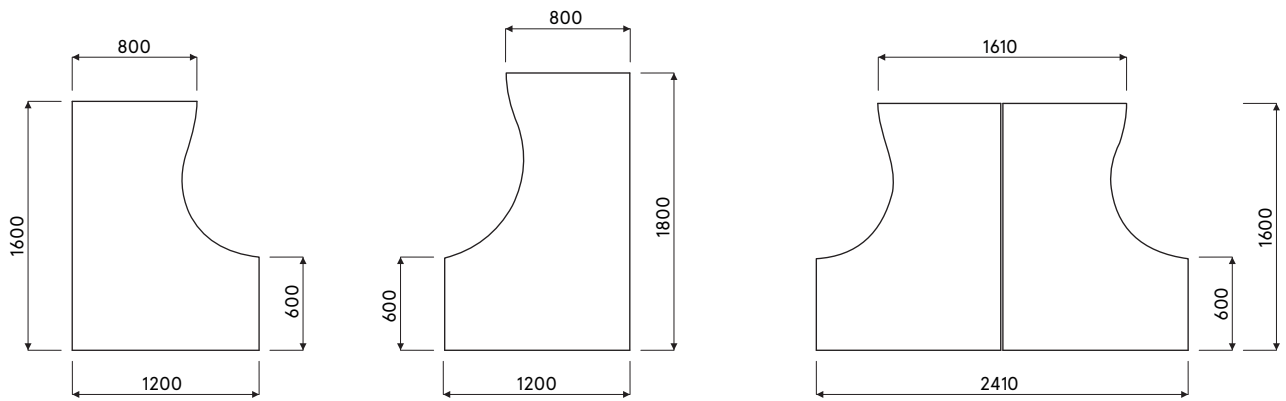
cardboard

Ogi N	Date of preparation 09.02.2021	The data contained in this document is valid in the day of its preparation. Change of the product, as long as it does not affect the basic features of it, does not require consistent updates of the document.	page 2/6 general informations
-------	-----------------------------------	---	---

Ogi desk worktops

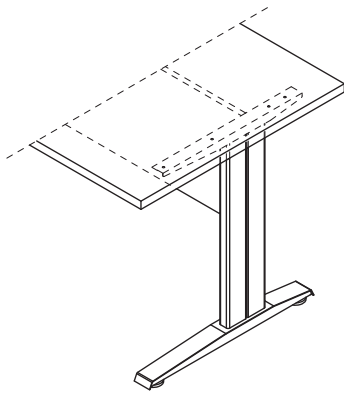


Dimensions of radial worktops (mm)



Frame

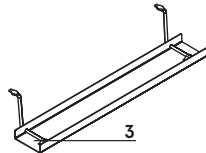
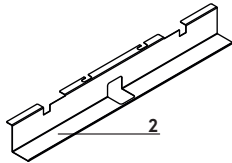
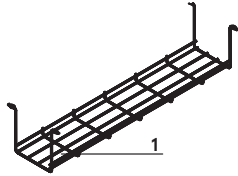
Ogi N: powder coated metal, column 642x149x36 mm, foot 647x60 mm, vertical cable management, modesty panel - MFC 18 mm



Attention - the cable tray located underneath the worktop is only available in: M009 - aluminium semi-matte colour

Accessories

1. **Horizontal cable tray S69** - powder coated, colour: 09 - aluminum
2. **Single desk horizontal cable tray (SG12, SG16)** - powder coated metal, colour: M009 - aluminum semi-matt
3. **Horizontal cable tray E64** - powder coated, colour: M009 - aluminium semi-matt

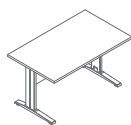


Ogi N	Date of preparation 09.02.2021	The data contained in this document is valid in the day of its preparation. Change of the product, as long as it does not affect the basic features of it, does not require consistent updates of the document.	page 4/6 technical description
--------------	-----------------------------------	---	--

Desks



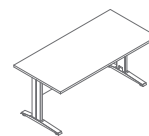
BNG02
1200 / 800 / 740
32.6 kg



BNG03
1400 / 800 / 740
36.9 kg



BNG04
1600 / 800 / 740
41.8 kg

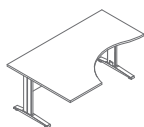


BNG05
1800 / 800 / 740
45.2 kg

Radial desks



BNG10
1600 / 1200 / 740
45.8 kg



BNG17
1800 / 1200 / 740
52.8 kg



BNG11
1600 / 1200 / 740
45.8 kg

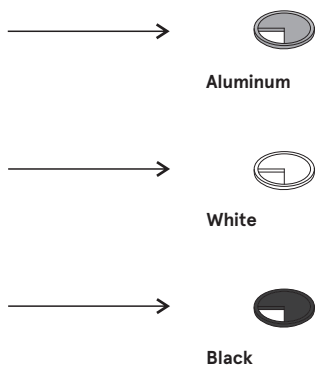


BNG18
1800 / 1200 / 740
52.8 kg

Worktop



Grommet



Frame, mediabox - metal



* body - II group