

Ogi A

technical specification



.mdd

.mdd has a leading position among manufacturers of office furniture with many awards that prove quality and continuously increase demand for it's products.

The realities of today`s market require constant quality improvement at all levels of modern organization. This applies in particular to customer service, marketing, quality of products and also to quality of processes within the company.

Partnership relations among employees and with business partners form a base of economic growth and success of the company.

Constant investments in innovative machinery park, optimization of management systems and an expansion of production halls allow to minimize the lead times for the product of the highest quality.

More than twenty years of experience in office furniture industry come with reference from a long list of companies and institutions to show their appreciation for an efficient and comprehensive service.

.mdd is higly aware of the environment.

Being located in the forest region with lake by itis side, .mdd takes the nature seriously and invests constantly in a modern and energy-efficient solutions to preserve the local life. Company puts emphasis on waste segregation and recycling. .mdd has been awarded for the exceptional care and involvement in waste disposal. All materials used are environmentally friendly and enjoy a high 95 % rate of being recycled.



General informations:

Warranty:

.mdd products – 5 years.

Electrical components and fabric – 2 years.

Certificate - MFC:



Compliant with standards:

PN-EN 527-2:2017-02

Boards density:

12 mm - 690 - 750 kg/m³

18 mm - 650 - 690 kg/m³

28 mm - 610 - 630 kg/m³

36 mm - 610 - 630 kg/m³

Assembly:

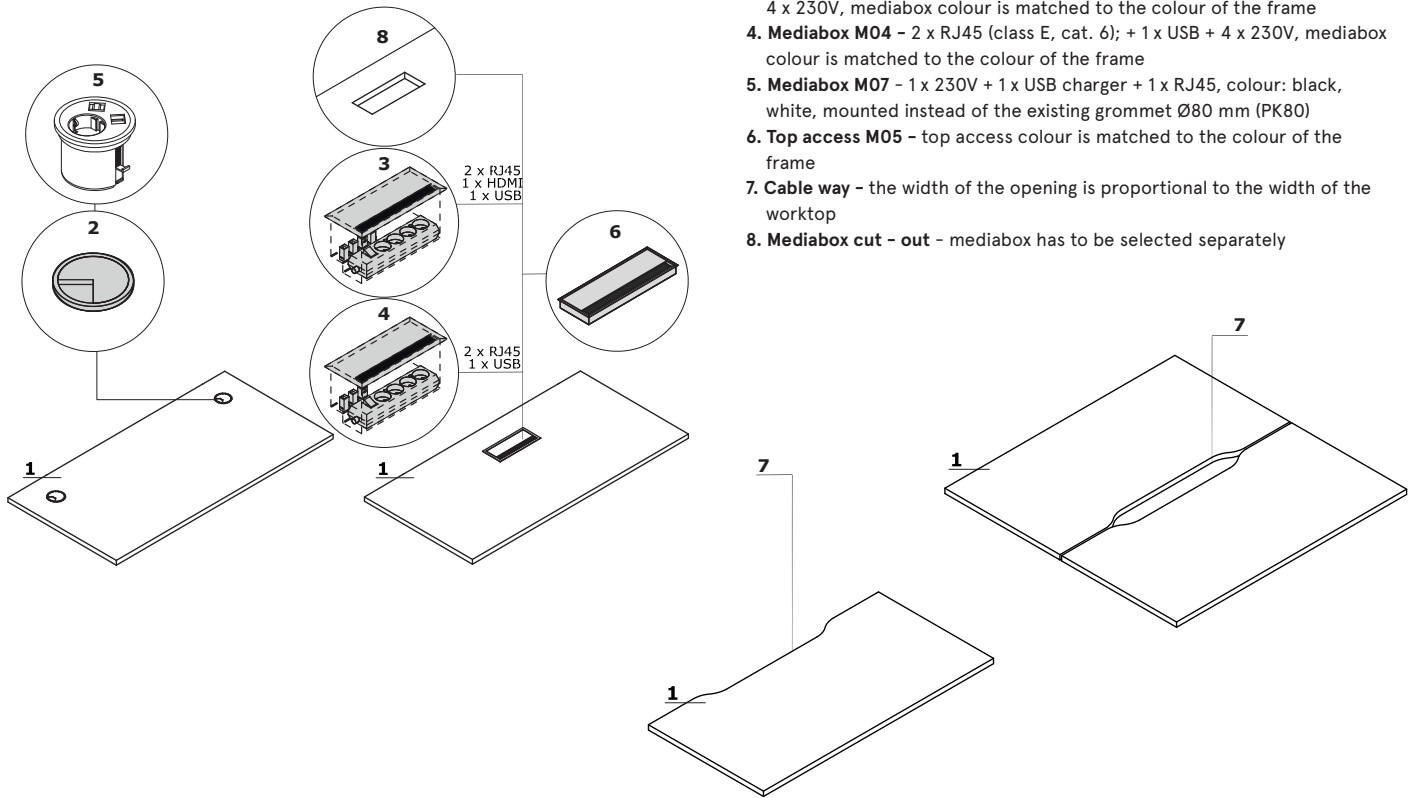
product delivered in separate elements

Packing:

cardboard, perforated plastic mesh wrap

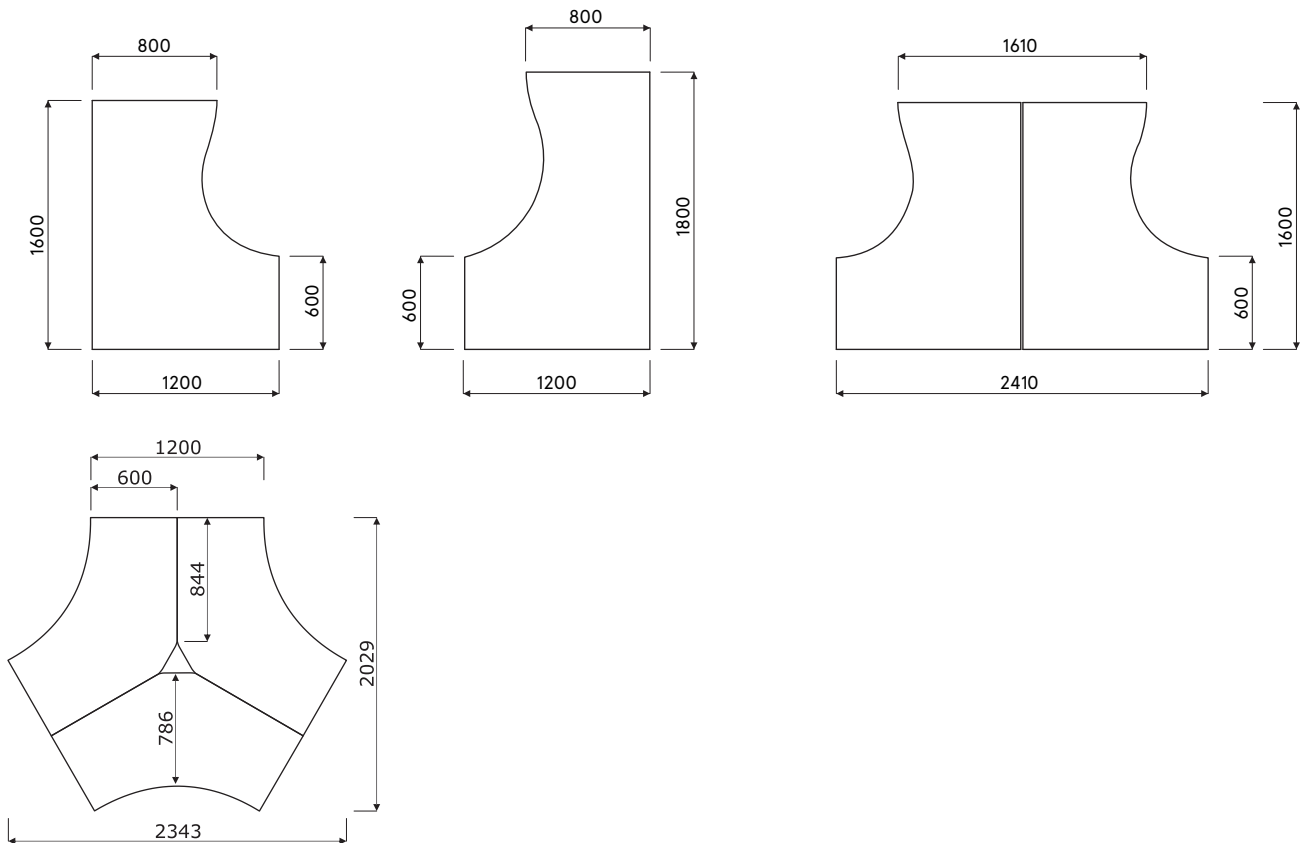
Ogi A	Date of preparation 30.11.2021	The data contained in this document is valid in the day of its preparation. Change of the product, as long as it does not affect the basic features of it, does not require consistent updates of the document.	page 2/8 general informations
-------	-----------------------------------	---	---

Ogi desk worktops



- 1. Worktop - MFC 28 mm, ABS edge
- OPTIONS WITH EXTRA CHARGE:**
- 2. Grommet - 2 pcs, Ø 80 mm
- 3. Mediabox M04H - 2 x RJ45 (class E, cat. 6); + 1 x USB + 1 x HDMI + 4 x 230V, mediabox colour is matched to the colour of the frame
- 4. Mediabox M04 - 2 x RJ45 (class E, cat. 6); + 1 x USB + 4 x 230V, mediabox colour is matched to the colour of the frame
- 5. Mediabox M07 - 1 x 230V + 1 x USB charger + 1 x RJ45, colour: black, white, mounted instead of the existing grommet Ø80 mm (PK80)
- 6. Top access M05 - top access colour is matched to the colour of the frame
- 7. Cable way - the width of the opening is proportional to the width of the worktop
- 8. Mediabox cut - out - mediabox has to be selected separately

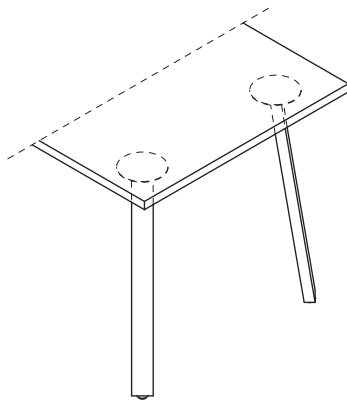
Dimensions of radial worktops (mm)



<p>Ogi A</p>	<p>Date of preparation 30.11.2021</p>	<p>The data contained in this document is valid in the day of its preparation. Change of the product, as long as it does not affect the basic features of it, does not require consistent updates of the document.</p>	<p>page 3/8 technical description</p>
--------------	---	--	--

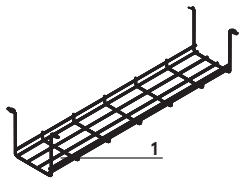
Frame

Ogi A: powder coated steel, profile 60x30 mm

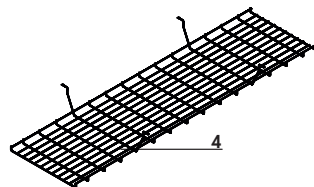
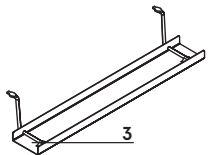
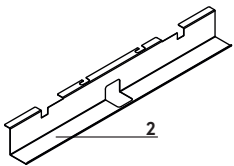


Attention - the cable tray located underneath the worktop is only available in: M009 - aluminium semi-matte colour

Accessories



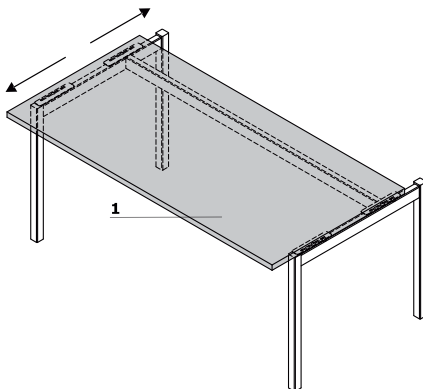
1. Horizontal cable tray S69 - powder coated, colour: 09 - aluminum
2. Single desk horizontal cable tray (SG12, SG16) - powder coated metal, colour: M009 - aluminum semi-matt
3. Horizontal cable tray E64 - powder coated, colour: M009 - aluminium semi-matt
4. Cable tray for bench desks (SG220, SG260) - steel wire Ø4 mm, powder coated, colour: 09 - aluminum



www.mdd.eu

Sliding top

1. Sliding top - shifting range 141 mm



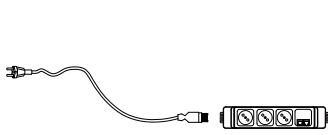
Note - M04, M04H, and M07 mediaboxes cannot be installed.

Ogi A	Date of preparation 30.11.2021	The data contained in this document is valid in the day of its preparation. Change of the product, as long as it does not affect the basic features of it, does not require consistent updates of the document.	page 4/8 technical description
-------	-----------------------------------	---	-----------------------------------

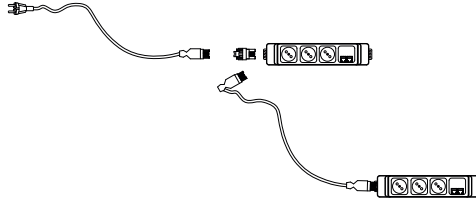
Power strip - for series connection

1. **PWS1** - set for 1 workstation - power strip (3x SCHUCKO, 2x RJ45) x1 + power cord (universal outlet PL/FR/Schucko)
2. **PWS2** - set for 2 workstation - power strip (3x SCHUCKO, 2x RJ45) x2 + set of power cords (universal outlet PL/FR/Schucko)
3. **PWS3** - set for 3 workstation - power strip (3x SCHUCKO, 2x RJ45) x3 + set of power cords (universal outlet PL/FR/Schucko)

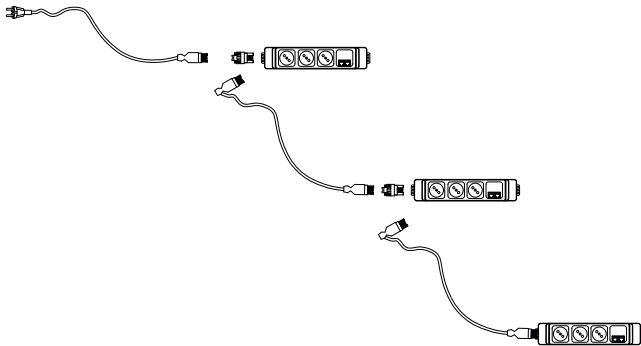
1



2



3



Desks *



BAG016
1000 / 600 / 740
20 kg



BAG026
1200 / 600 / 740
23 kg



BAG036
1400 / 600 / 740
25.2 kg



BAG046
1600 / 600 / 740
29.1 kg



BAG017
1000 / 700 / 740
22 kg



BAG027
1200 / 700 / 740
25.1 kg



BAG037
1400 / 700 / 740
28.2 kg



BAG047
1600 / 700 / 740
30.6 kg



BAG028
1200 / 800 / 740
29.3 kg

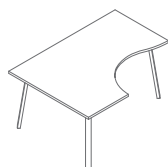


BAG038
1400 / 800 / 740
31.5 kg

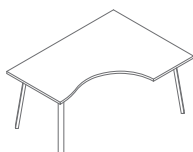


BAG048
1600 / 800 / 740
34.1 kg

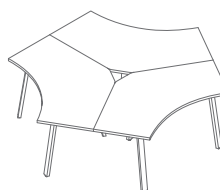
Radial desks *



BAG10
1600 / 1200 / 740
40 kg



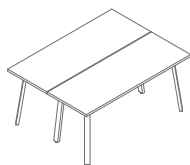
BAG11
1600 / 1200 / 740
41.4 kg



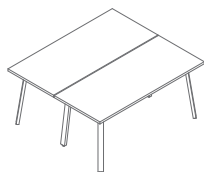
BAG12
2343 / 2029 / 740
89.1 kg

* dimensions expressed in millimeters: width x depth x height

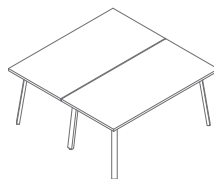
Bench desks *



BAG0214
1600 / 1210 / 740
51 kg

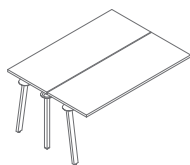


BAG0216
1600 / 1410 / 740
57.2 kg

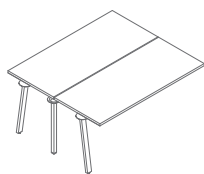


BAG0218
1600 / 1610 / 740
64.2 kg

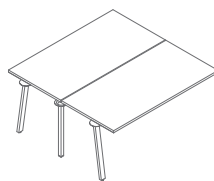
Elements for desks pairing *



BAG0414
1600 / 1210 / 740
45 kg



BAG0416
1600 / 1410 / 740
51.2 kg



BAG0418
1600 / 1610 / 740
58.2 kg

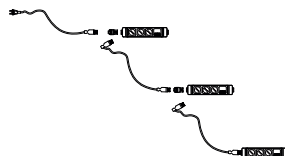
Power strip



PWS1
500 / 430 / 569
1.1 kg



PWS2
500 / 430 / 569
1.6 kg



PWS3
500 / 430 / 569
2.1 kg

* dimensions expressed in millimeters: width x depth x height

Worktop



26 Aluminum satinato



31 Canadian oak *



39 Polar birch *



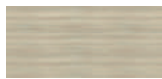
64 Cocoa *



168 Natural oak *



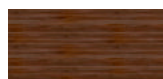
169 Honey oak*



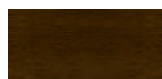
170 Acacia *



67 White pastel



171 Dark walnut*



106 Lowland walnut *



154 Anthracite



08 Black



167 Grey oak *

Grommet



Aluminum



Beige



White



Black

Frame, mediabox - metal



M009 Aluminum semi-matt RAL9006



M015 White semi-matt RAL9010



M154 Antracite semi-matt RAL7043



M115 Black semi-matt RAL9005

* body - II group