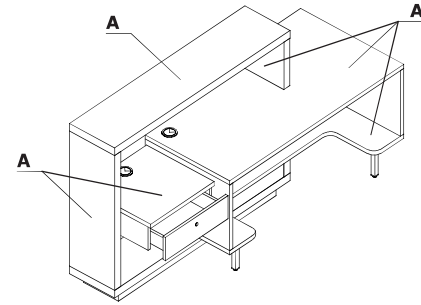
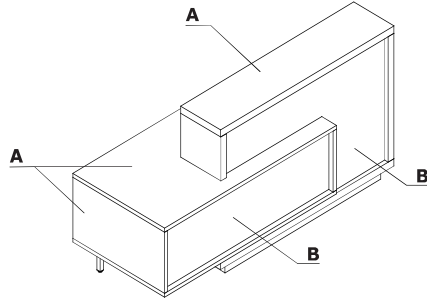


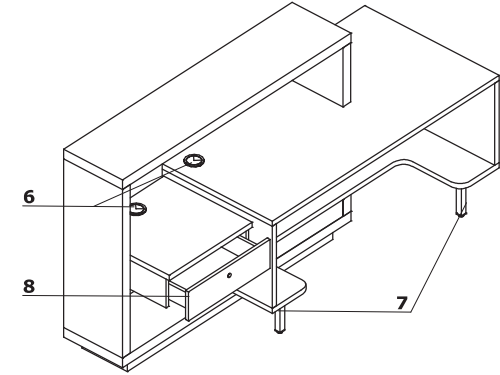
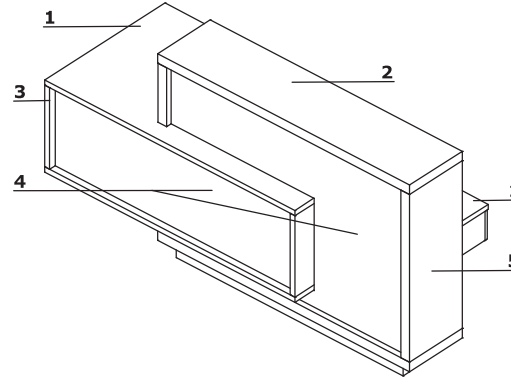
Colour combination - Foro



Material	Colour	All elements															
		A - Body	B - Front														
MFC	34 - chestnut	✓															
	67 - white pastel	✓															
HPL	73 - white high gloss		✓														
	74 - orange high gloss		✓														
	80 - green high gloss		✓														
	81 - burgundy high gloss		✓														
	148 - grey high gloss		✓														
	155 - anthracite high gloss		✓														

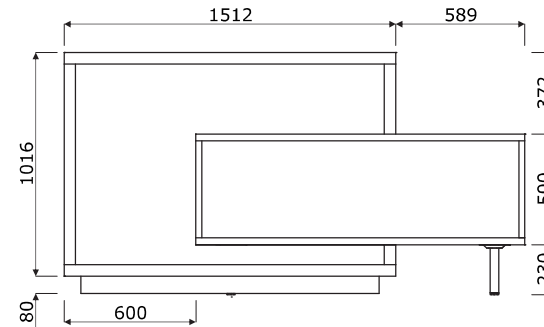
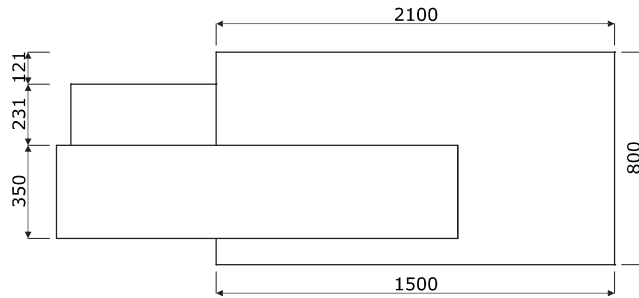
Technical specification

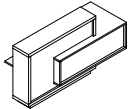
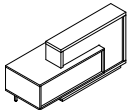
- 1 Worktop** - MFC 28 mm, ABS edge
- 2 Top** - MFC 52 mm (12+12+28 mm);, ABS edge
- 3 Body** - MFC 28 mm, ABS edge
- 4 Front** - MFC 18 mm, coated with HPL high gloss, ABS edge
- 5 Body** - MFC 52 mm, ABS edge
- 6 Cable grommets** - Ø80 mm
- 7 Supporting leg** - profile 30x30 mm, colour: M009 - aluminium semi-matt
- 8 MFC drawer** - ball runners, capacity 40 kg, 80 % pull-out, patent lock



ATTENTION - Interior of the front in white

Dimensions (mm)



Foro reception desk							
	Symbol	Price EUR	Dimensions			kg m3 pcs	Comments
			Width	Depth	Height		
	LF10	1984,-	2100	800	1100	171.3 kg 0,447 m3 4 pcs	
	LF11	1984,-	2100	800	1100	171.3 kg 0,454 m3 4 pcs	

Extra charge							