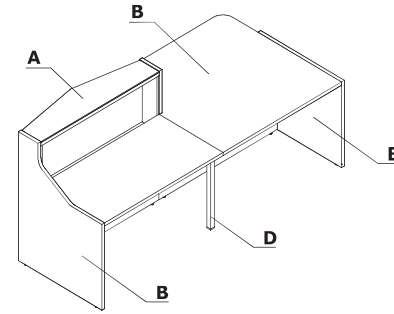
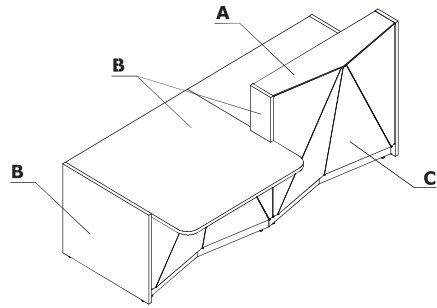


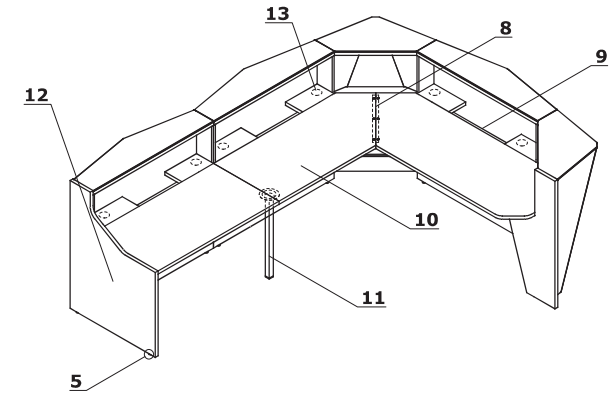
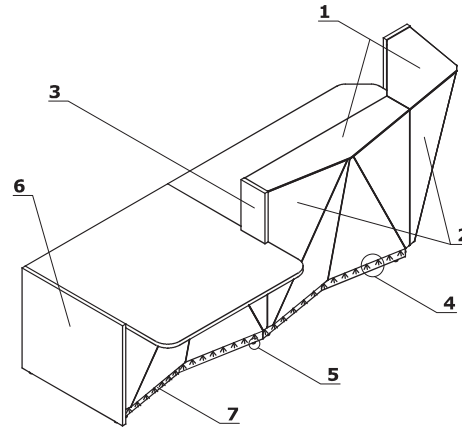
Colour combination - Alpa



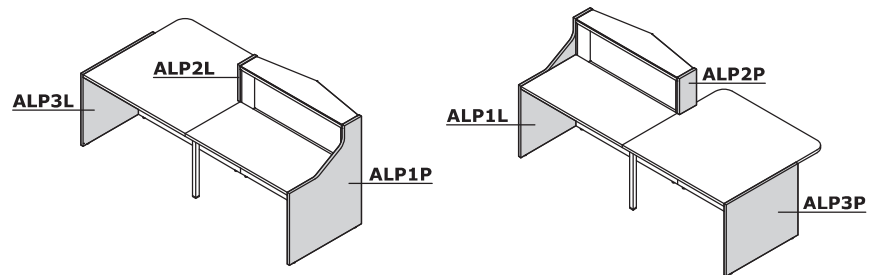
Material	Colour	All elements															
		A - Upper top	B - Body	C - Front	D - Supporting legs												
Glass	116 - glass black - RAL 9005	✓	08 - black	✓													
	117 - glass white - RAL 9003	✓	67 - white pastel	✓													
	124 - glass silver - RAL 9007	✓	26 - aluminum satinato	✓													
Metal	M009 - aluminium semi-matt RAL 9006				✓												
	M015 - white semi-matt RAL 9010				✓												
	M115 - black semi-matt RAL 9005				✓												

Technical specification

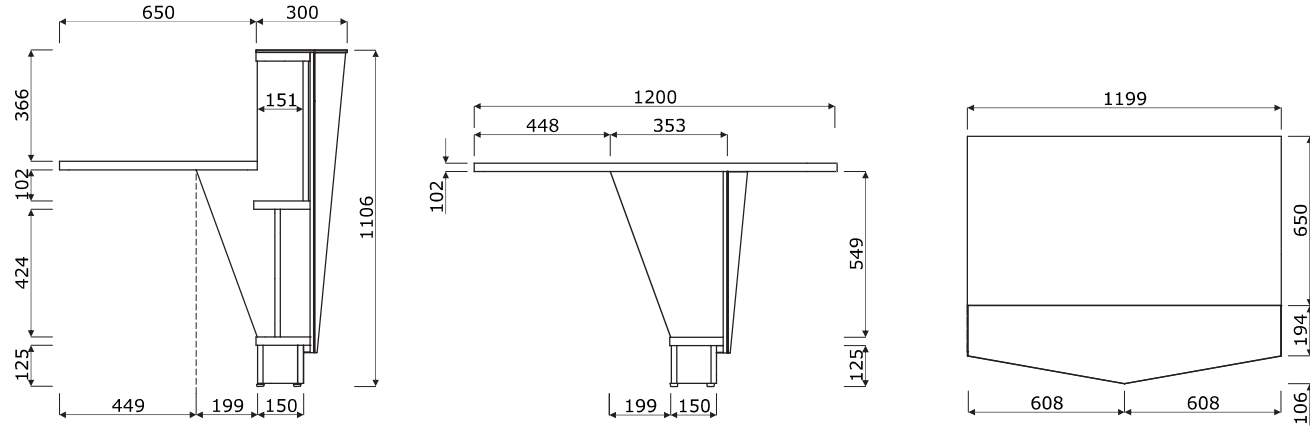
- 1 Top** - MFC 28 mm, tempered glass 8 mm
- 2 Front** - MFC 12 mm + Glass LACOBEL 4 mm
- 3 Side panel linking low and high fronts** - MFC 28 mm, ABS edge
- 4 LED illumination** - at the full length of the reception desk, cold white color (verging on the blue shade);
- 5 Leveling** - 5 mm range
- 6 Low side panel** - MFC 28 mm, ABS edge
- 7 Kick plate** - HPL - brushed aluminium
- 8 Fixing flat bar**
- 9 Monitor shelf** - MFC 28 mm
- 10 Worktop** - MFC 28 mm, ABS edge, fitted with 2 MFC-caps
- 11 Supporting leg** - NG41 - powder coated steel, required for connecting the tops
- 12 High side panel** - MFC 28 mm, ABS edge
- 13 Cable grommets** - Ø80 mm

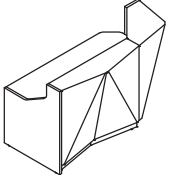
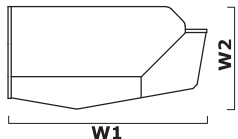
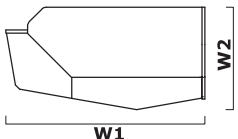


Ending elements application

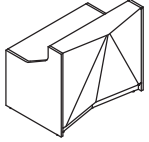
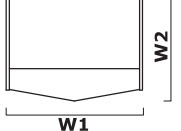


Dimensions (mm)

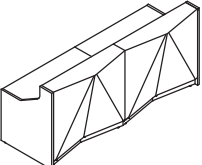
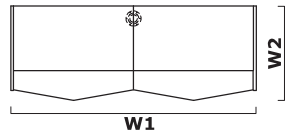


 <div style="display: flex; justify-content: space-around; align-items: center;"> <div style="text-align: center;"> <p>A</p>  </div> <div style="text-align: center;"> <p>B</p>  </div> </div>									
Symbol		Price EUR	Dimensions					kg m3 pcs	Composition elements
A	B		W1	W2	D1	D2	H		
ALP04L	ALP04P	3891,-	1835	946			1100	103 kg 1,047 m3 7 pcs	A - ALP18L+ALP1P B - ALP1L+ALP18P

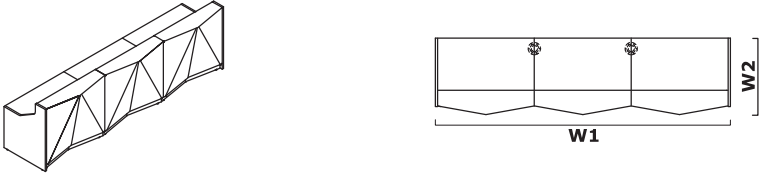
Extra charge						

 <div style="display: flex; justify-content: center; align-items: center;">  </div>									
Symbol		Price EUR	Dimensions					kg m3 pcs	Composition elements
ALP05			W1	W2	D1	D2	H		
		2208,-	1256	946			1100	76,5 kg 0,782 m3 5 pcs	ALP1L+ALP12+ALP1P

Extra charge						

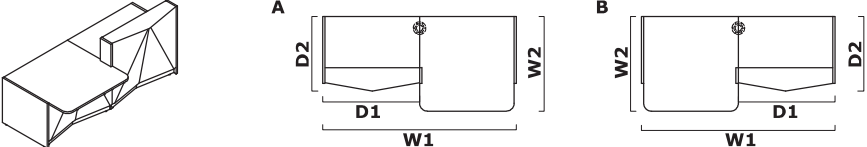
 <div style="display: flex; justify-content: center; align-items: center;">  </div>									
Symbol		Price EUR	Dimensions					kg m3 pcs	Composition elements
ALP06			W1	W2	D1	D2	H		
		4234,-	2456	946			1100	129 kg 1,498 m3 9 pcs	ALP1L+2xALP12+ALP1P+NG41

Extra charge						



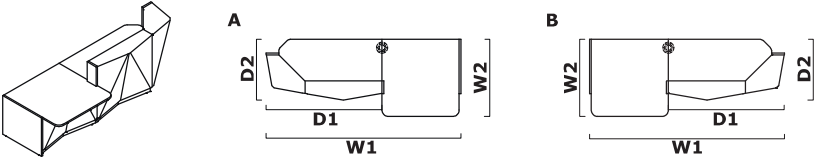
Symbol		Price EUR	Dimensions					kg m3 pcs	Composition elements
			W1	W2	D1	D2	H		
ALP07		6260,-	3656	946			1100	181.5 kg 2.214 m3 13 pcs	ALP1L+3xALP12+ALP1P+2xNG41

Extra charge						



Symbol		Price EUR	Dimensions					kg m3 pcs	Composition elements
A	B		W1	W2	D1	D2	H		
ALP21L	ALP21P	4190,-	2456	1200	1228	950	1100	136.5 kg 1.273 m3 10 pcs	A - ALP3L+ALP11+ALP2L+ALP12+ALP1P+NG41 B - ALP1L+ALP12+ALP2P+ALP11+ALP3P+NG41

Extra charge						



Symbol		Price EUR	Dimensions					kg m3 pcs	Composition elements
A	B		W1	W2	D1	D2	H		
ALP22L	ALP22P	5873,-	3034	1200	1806	950	1100	163 kg 1.538 m3 12 pcs	A - ALP3L+ALP11+ALP2L+ALP18P+NG41 B - ALP18L+ALP2P+ALP11+ALP3P+NG41

Extra charge						

Symbol	Price EUR	Dimensions					kg m3 pcs	Composition elements
		W1	W2	D1	D2	H		
ALP15	7600,-	3613	946			1100	182 kg 2.029 m3 13 pcs	ALP18L+ALP18P+NG41


Extra charge						

Symbol	Price EUR	Dimensions					kg m3 pcs	Composition elements
		W1	W2	D1	D2	H		
ALP16	9626,-	4813	946			1100	234.5 kg 2.745 m3 17 pcs	ALP18L+ALP12+ALP18P+2xNG41

Extra charge						

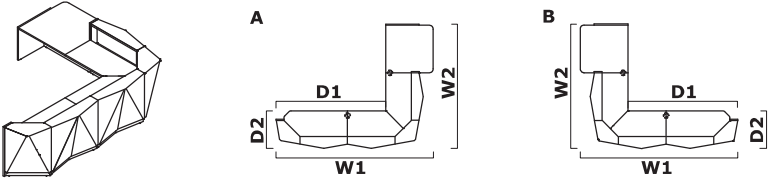
Symbol	Price EUR	Dimensions					kg m3 pcs	Composition elements
		W1	W2	D1	D2	H		
ALP25	9660,-	4813	1200			1100	244.5 kg 2.534 m3 19 pcs	ALP18L+ALP2L+ALP11+ALP2P+ALP18P+2xNG41

Extra charge						



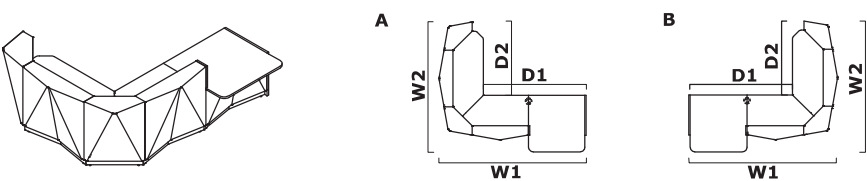
Symbol		Price EUR	Dimensions					kg m3 pcs	Composition elements
			W1	W2	D1	D2	H		
ALP14		8960,-	2514	2514	1568	1568	1100	210.5 kg 2.307 m3 14 pcs	

Extra charge						



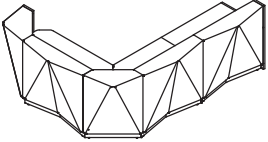
Symbol		Price EUR	Dimensions					kg m3 pcs	Composition elements
A	B		W1	W2	D1	D2	H		
ALP24L	ALP24P	11683,-	3967	3135	2768	950	1100	299.5 kg 3,248 m3 21 pcs	A - ALP3L+ALP11+ALP2L+ALP90+ALP18P+2xNG41 B - ALP18L+ALP90+ALP2P+ALP11+ALP3P+2xNG41

Extra charge						

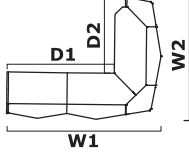


Symbol		Price EUR	Dimensions					kg m3 pcs	Composition elements
A	B		W1	W2	D1	D2	H		
ALP23L	ALP23P	9443,-	3135	2767	2189	1568	1100	245.5 kg 2.532 m3 17 pcs	A - ALP3L+ALP11+ALP2L+ALP19P+NG41 B - ALP19L+ALP2P+ALP11+ALP3P+NG41

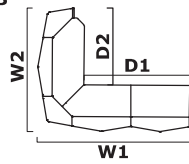
Extra charge						



A

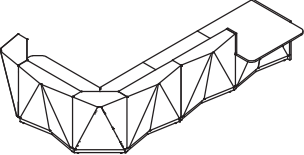


B

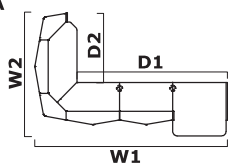


Symbol		Price EUR	Dimensions					kg m3 pcs	Composition elements
A	B		W1	W2	D1	D2	H		
ALP17L	ALP17P	9487,-	3135	2514	2189	1568	1100	238 kg 2,757 m3 16 pcs	A - ALP19L+ALP12+ALP1P+NG41 B - ALP1L+ALP12+ALP19P+NG41

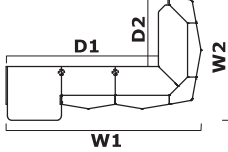
Extra charge						



A

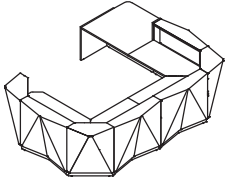


B

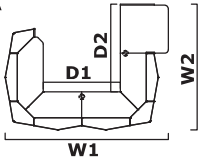


Symbol		Price EUR	Dimensions					kg m3 pcs	Composition elements
A	B		W1	W2	D1	D2	H		
ALP26L	ALP26P	11469,-	4335	2767	3390	1568	1100	298 kg 3,248 m3 21 pcs	A - ALP3L+ALP11+ALP2L+ALP12+ALP19P+2xNG41 B - ALP19L+ALP12+ALP2P+ALP11+ALP3P+2xNG41

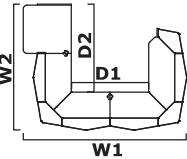
Extra charge						



A



B



Symbol		Price EUR	Dimensions					kg m3 pcs	Composition elements
A	B		W1	W2	D1	D2	H		
ALP27L	ALP27P	15253,-	4069	3135	1922	2189	1100	382 kg 4,242 m3 26 pcs	A - ALP3L+ALP11+ALP2L+ALP90+ALP19P+2xNG41 B - ALP19L+ALP90+ALP2P+ALP11+ALP3P+2xNG41

Extra charge						

