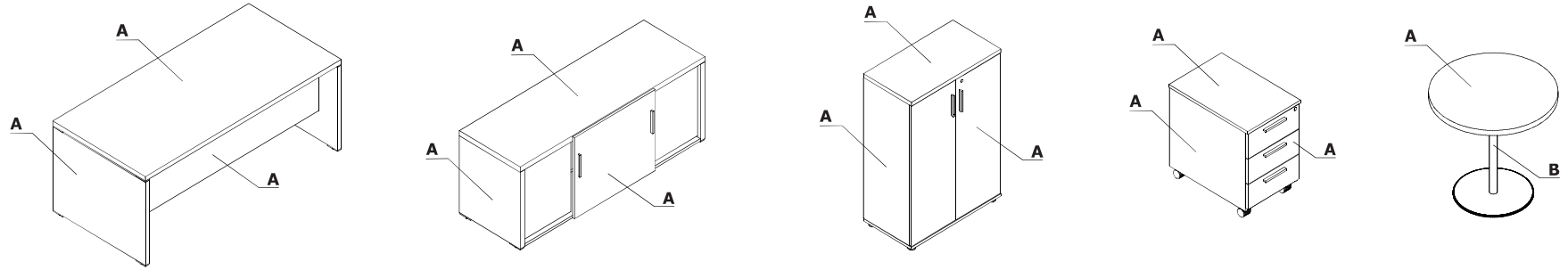


Colour combination - Quando



Material	Colour	All elements	Tables - disc base													
		A - MFC elements	B - Column													
MFC	31 - canadian oak	✓														
	34 - chestnut	✓														
	106 - lowland walnut	✓														
Metal	M115 - black semi-matt RAL 9005		✓													
	M009 - aluminium semi-matt RAL 9006		✓													
	M015 - white semi-matt RAL 9010		✓													

Desks

- 1 **Worktop** - MFC 38 mm, ABS edge
- 2 **Top distance** - aluminium 100x34x9 mm
- 3 **Base** - MFC 38 mm, ABS edge
- 4 **Modesty panel** - MFC 18 mm, ABS edge
- 5 **Leveling feet** - aluminium 100x34x9 mm, range 5 mm

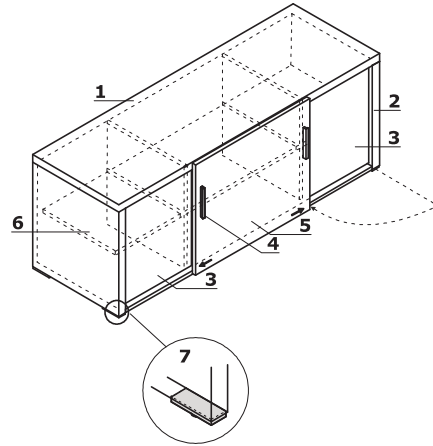
Configuration examples

QU16 / QU19

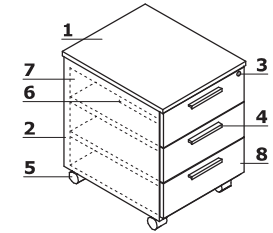
Configuration examples (mm)

Cabinet

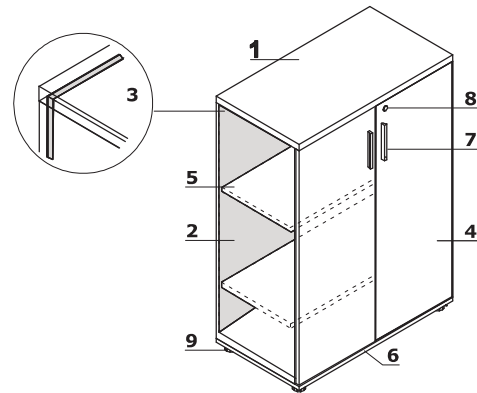
- 1 **Top** - MFC 38 mm, ABS edge
- 2 **Side panels** - MFC 38 mm, ABS edge
- 3 **Front** - MFC 18 mm, ABS edge
- 4 **Aluminum handle**
- 5 **Sliding front** - MFC 18 mm, ABS edge
- 6 **Shelf** - MFC 18 mm, protection against accidental falling-out, ABS edge
- 7 **Leveling feet** - aluminium 100x34x9 mm, range 5 mm

**Mobile pedestal QD13**

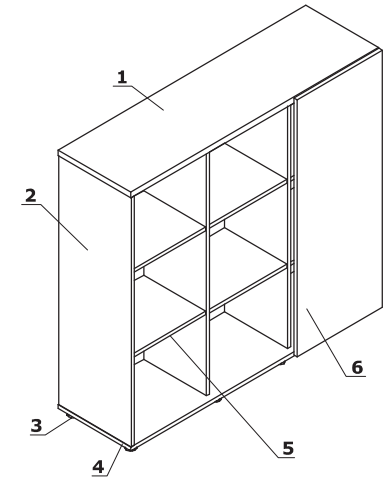
- 1 **Top** - MFC 18 mm, ABS edge
- 2 **Body** - MFC 18 mm, ABS edge
- 3 **Central lock** - foldable key
- 4 **Aluminum handle**
- 5 **Castors** - Ø50 mm, two with brakes
- 6 **Pencil tray** - plastic, colour: black
- 7 **MFC drawer** - roll runners, max load 25kg, 80% extraction; Anti-tilt mechanism
- 8 **Front** - MFC 18 mm, ABS edge

**Storages**

- 1 **Top** - MFC 28 mm, ABS edge
- 2 **Side panels** - MFC 18 mm, ABS edge
- 3 **Back MFC** - 18 mm, ABS edges
- 4 **Front** - MFC 18 mm, ABS edge, plain hinge 110°
- 5 **Shelf** - MFC 18 mm, protection against accidental falling-out, ABS edge
- 6 **Base** - MFC 18 mm, ABS edge
- 7 **Aluminum handle**
- 8 **Patent lock**
- 9 **Leveling feet 27 mm** - range 5 mm

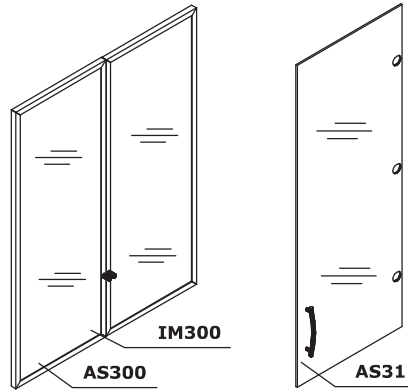
**Storage with sliding front - Q315**

- 1 **Top** - MFC 28 mm, ABS edge
- 2 **Side panels** - MFC 18 mm, ABS edge
- 3 **Leveling feet 27 mm** - range 5 mm
- 4 **Base** - MFC 18 mm, ABS edge
- 5 **Shelf** - MFC 18 mm, protection against accidental falling-out, ABS edge
- 6 **Sliding front** - MFC 18 mm, ABS edge



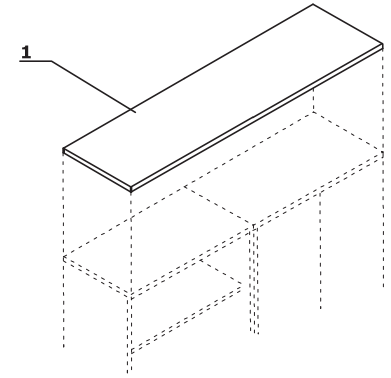
Additional elements for storages

- 1 IM300**
 - glass door 30H
 - transparent tempered glass 4 mm, with aluminum frame
- 2 AS300**
 - glass door 30H
 - frosted tempered glass 4 mm, with aluminum frame
- 3 AS31**
 - glass door 30H
 - transparent tempered glass 4 mm
 - universal (left,right)



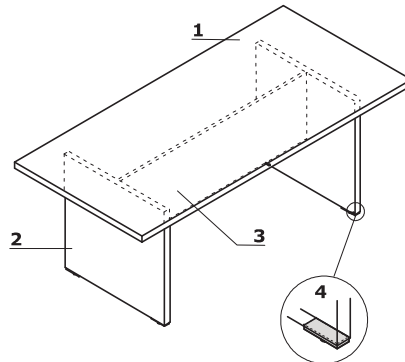
Optional storage tops

- 1 Top** - MFC 38 mm, ABS edge



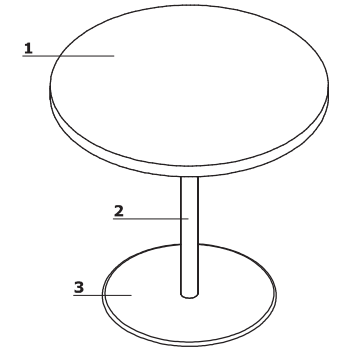
MFC base meeting tables

- 1 Worktop** - MFC 38 mm, ABS edge
- 2 Base** - MFC 38 mm, ABS edge
- 3 Modesty panel** - MFC 18 mm, ABS edge
- 4 Leveling feet** - aluminium 100x34x9 mm, range 5 mm



Disc base meeting tables

- 1 Worktop** - MFC 38 mm, ABS edge
- 2 Column** - powder coated steel
- 3 Disc** - stainless steel

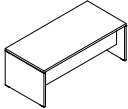
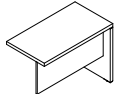
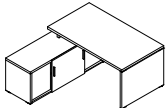
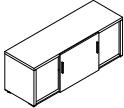




Mediabox location

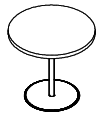
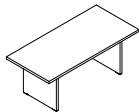
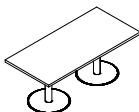
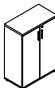

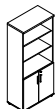
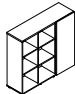
The diagrams illustrate the placement of a mediabox on different product models:

- Q16, Q19:** Two configurations (A and B) showing the mediabox on the left and right sides of a rectangular box, respectively.
- QU16, QU19:** Two configurations (A and B) showing the mediabox on the top surface of a U-shaped structure.
- QS20:** A configuration showing the mediabox between two circular components.
- QS19:** A configuration showing the mediabox on the bottom surface of a rectangular box.

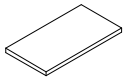
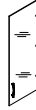


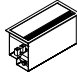
TO ORDER PRODUCT WITH MEDIABOX, AT THE END OF THE SYMBOL SHOULD BE ADDED A LETTER (A,B...); WHICH IS CORRESPONDING TO THE SELECTED CONFIGURATION (EX. Q19A);

Desks							
	Symbol	Price EUR	Dimensions			kg m3 pcs	Comments
			Width	Depth	Height		
	Q19	439,-	1900	900	740	82.903 kg 0.195 m3 4 pcs	
	Q16	408,-	1600	900	740	73.002 kg 0.168 m3 4 pcs	
Desk extension							
	Q10	250,-	1000	550	740	27 kg 0.066 m3 1 pcs	universal left or right
Desks with managerial storage							
	QU16	811,-	1600 1864	900 1800	740	138.501 kg 0.323 m3 5 pcs	universal system left or right
	QU19	842,-	1900 2164	900 1800	740	148.402 kg 0.351 m3 5 pcs	
Cabinet							
	QR16	474,-	1600	550	610	81 kg 0.186 m3 2 pcs	
Pedestal							
	QD13	240,-	402	600	590	30 kg 0.142 m3 1 pcs	
Meeting tables							
	QSL08	286,-	800	800	550	30 kg 0.077 m3 2 pcs	
	QS08	296,-	800	800	740	36 kg 0.089 m3 2 pcs	

Extra charge							

Meeting tables							
	Symbol	Price EUR	Dimensions			kg m3 pcs	Comments
			Width	Depth	Height		
	QS09	525,-	800	800	740	35 kg 0.113 m3 3 pcs	columnØ50 mm, disc ø 500 mm
	QS12	576,-	1200	1200	740	60 kg 0.165 m3 3 pcs	column ø100 mm, disc ø620 mm
	QS19	515,-	1900	900	740	71.901 kg 0.154 m3 3 pcs	
	QS20	1102,-	1900	900	740	100.901 kg 0.24 m3 5 pcs	column ø100 mm, disc ø620 mm
Storages							
	Q31	275,-	801	432	1129	43 kg 0.116 m3 3 pcs	30H
	Q51	377,-	801	432	1833	75 kg 0.213 m3 3 pcs	50H
	Q35	209,-	801	432	1129	37 kg 0.091 m3 2 pcs	30H
	Q54	316,-	801	432	1833	65 kg 0.186 m3 3 pcs	50H
	Q315	663,-	1400	432	1280	72 kg 0.187 m3 3 pcs	sliding door, 30H

Extra charge									
Mediabox M04H	Mediabox M04	Top access							
160,-	150,-	50,-							
160,-	150,-	50,-							

Optional storage tops							
	Symbol	Price EUR	Dimensions			kg m3 pcs	Comments
			Width	Depth	Height		
	QT08	43,-	806	434	38	8,5 kg 0,023 m3 1 pcs	
	QT16	63,-	1608	434	38	17 kg 0,044 m3 1 pcs	
	QT24	84,-	2410	434	38	26 kg 0,066 m3 1 pcs	
Additional elements							
	AS31	84,-	397	5	1050	6,5 kg 0,034 m3 1 pcs	universal glass door (1 pcs), 30H, tempered glass - transparent
	AS300	240,-	800	20	1050	10,301 kg 0,037 m3 1 pcs	glass doors (2 pcs), 30H, aluminium frame, tempered glass - frosted
	IM300	219,-	800	20	1050	10 kg 0,039 m3 1 pcs	glass doors (2 pcs), 30H, aluminium frame, tempered glass - transparent
	HQ2	27,-	12	17	158	0,1 kg 0 m3 1 pcs	handles QUANDO (2 pcs);
	M04	150,-	275	120	140	1,6 kg 0,008 m3 1 pcs	4x230V, 2xRJ45, 1xUSB
	M04H	160,-	275	120	140	1 kg 0,006 m3 1 pcs	4x230V, 2xRJ45, 1xUSB, 1xHDMI
	M05	50,-	275	120	25	0,3 kg 0,002 m3 1 pcs	top access

Extra charge							