

# Sonic - Wall-mounted screen technical specification



.mdd

**MDD has a leading position among manufacturers of office furniture with many awards that prove quality and continuously increase demand for its products.**

The realities of today's market require constant quality improvement at all levels of modern organization. This applies in particular to customer service, marketing, quality of products and also to quality of processes within the company. Partnership relations among employees and with business partners form a base of economic growth and success of the company.

Constant investments in innovative machinery park, optimization of management systems and an expansion of production halls allow to minimize the lead times for the product of the highest quality.

**More than twenty years of experience in office furniture industry come with reference from a long list of companies and institutions to show their appreciation for an efficient and comprehensive service.**

**MDD is highly aware of the environment.**

Being located in the forest region with lake by its side, MDD takes the nature seriously and invests constantly in a modern and energy-efficient solutions to preserve the local life. Company puts emphasis on waste segregation and recycling. MDD has been awarded for the exceptional care and involvement in waste disposal. All materials used are environmentally friendly and enjoy a high 95 % rate of being recycled.



**General informations:**

**Warranty:**

MDD products - **5 years.**

Electrical components and fabric - **2 years.**

**Boards density:**

12 mm - 690 - 750 kg/m<sup>3</sup>

18 mm - 650 - 690 kg/m<sup>3</sup>

28 mm - 610 - 630 kg/m<sup>3</sup>

36 mm - 610 - 630 kg/m<sup>3</sup>

**Certificate - MFC:**



**Certificate - fabric:**



**Assembly:**

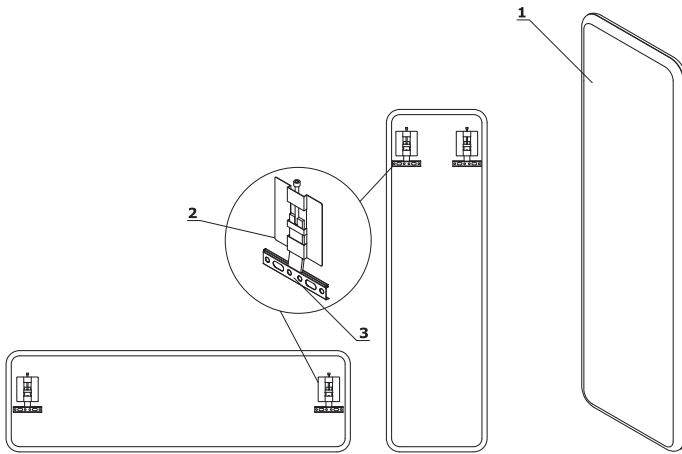
the product comes pre-assembled

**Packing:**

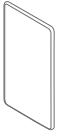
packing film

## Sonic - Wall-mounted acoustic screen

- 1. Panel - acoustic class A, fire resistant fabric, pinnable
- 2. Fixing - vertical adjustment +/- 10 mm (2 pcs)
- 3. Slat - fixed to wall (2 pcs)



Sonic - Wall-mounted acoustic screen \*



**ZAK312**  
350 / 40 / 1190  
9 kg



**ZAK318**  
350 / 40 / 1790  
11 kg



**ZAK612**  
650 / 40 / 1190  
10 kg

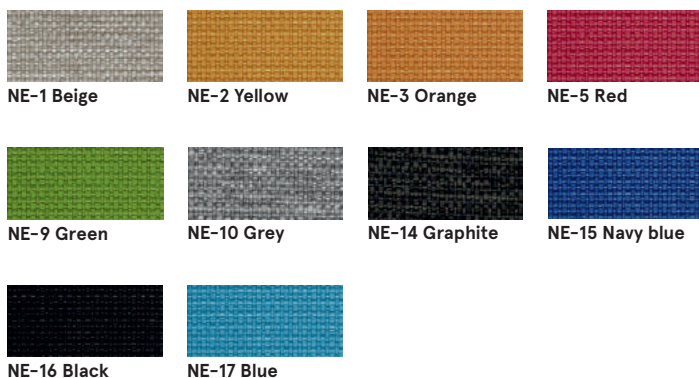


**ZAK618**  
650 / 40 / 1790  
12 kg

\* dimensions expressed in millimeters: width x depth x height

<b>Sonic - Wall-mounted screen</b>	Dato of preparation 26.11.2019	The data contained in this document is valid in the day of its preparation. Change of the product, as long as it does not affect the basic features of it, does not require consistent updates of the document.	page 4/7
			<b>products</b>

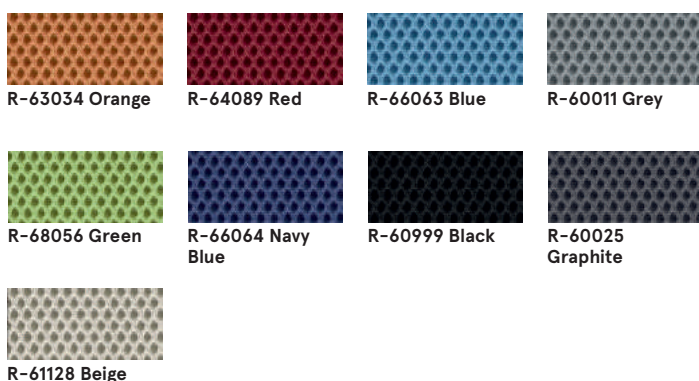
## Fabric Nemo



### Technical data:

**Material** polyester 100%  
**Fabric weight** 366g/m2  
**Abrasion resistance rubs** PN\_EN ISO 12947 - 2:2 100,000  
**Pilling resistance** scale 1-8, max. 8, PN-EN ISO 105 - B02 (3-4)  
**Colour fastness to light** scale 1-5, max. 5, PN-EN 1021 - 2,  
**Colour fastness to rubbing** PN-EN 1021 - 1  
 scale 1-5, max. 5, EN ISO 105x12 (wet/dry) 4-5

## Fabric Runner - second price group



### Technical data:

**Material** polyester 100%  
**Fabric weight** 510 g/lm (16.45 oz/lin.yd.)  
**Abrasion resistance rubs** BS EN ISO 12947-2  
 70,000 Martindale cycles  
**Pilling resistance** scale 1-5, max 5, EN ISO 12945-2 (4-5)  
**Colour fastness to light** scale 1-8, max 8, EN ISO 105-B02 (5-7)  
**Colour fastness to rubbing** scale 1-5, max 5, EN ISO 105x12 (wet/dry) 4-5  
**Acoustic test sound absorption** ISO 354  
**Flammability** BS EN 1021-2 Match, CA TB 117-2013, BS EN 1021-1 (cigarette) Class Uno UNI 9175 Class 2, EMME

## Fabric Medley - second group



### Technical data:

**Material** polyester 100%  
**Fabric weight** 510 g/lm (16.45 oz/lin.yd.)  
**Abrasion resistance rubs** BS EN ISO 12947-2, 75,000 cykli Martindale  
**Pilling resistance** scale 1-5, max. 5, EN ISO 12945-2 (4)  
**Colour fastness to light** scale 1-8, max. 8, EN ISO 105-B02 (5-7)  
**Colour fastness to rubbing** scale 1-5, max. 5, EN ISO 105x12 (wet/dry) (4-5/4-5)  
**Acoustic test sound absorption** ISO 354  
**Flammability** BS EN 1021-1 (cigarette) BS 476 Part 7, Class 2 Class Uno UNI 9174 - UNI 8457 CA TB 117-2013 ASTM E 84 Class I

### Fabric Atlantic \* - second price group



**Technical data:**

**Material** polyester 100%

**Fabric weight** 530 g/lm (17.09 oz/lin.yd.)

**Abrasion resistance rubs** BS EN ISO 12947-2, 110,000 Martindale cycles

**Pilling resistance** scale 1-5, max. 5, EN ISO 12945-2 (4-5)

**Colour fastness to light** scale 1-8, max. 8, EN ISO 105-B02 (5-7)

**Colour fastness to rubbing** scale 1-5, max. 5, EN ISO 105x12 (wet/dry)

**Flammability** CA TB 117-2013  
ASTM E 84 Class I  
BS EN 1021-2 (match)  
BS EN 1021-1 (cigarette)

### Fabric River - second group



**Technical data:**

**Material** polyester 100%

**Fabric weight** 300g/m2 (+/- 5%)

**Abrasion resistance rubs** 100,000 Martindale cycles (EN ISO 12947-1,2)

**Pilling resistance** EN ISO 12945-2 (5)

**Colour fastness to light** 4 (EN ISO 105-B02)

**Colour fastness to rubbing** dry: 4-5, wet: 3 (EN ISO 105-x12)

**Flammability** BS 5852: Part 1, Ignition Source 0 (cigarette)  
BS 5852: Part 1, Ignition Source 1 (match)  
En1021 - 2

### Fabric Xtreme - third price group



**Technical data:**

**Material** 100% Trevira Clame (CS)  
100% Recycling (YS)  
Flame Retardant polyester.  
Non metallic dyestuffs.

**Fabric weight** 310 g/m2 ±5% (435g/lin.m ±5%)

**Abrasion resistance rubs** 60,000 Martindale cycles (CS)  
100,000 Martindale cycles (YS)

**Colour fastness to light** 6 (ISO 105 - B02)

**Colour fastness to rubbing** wet: 4, dry: 4 (ISO 105 - X12)

**Flammability** EN 1021 - 1 (cigarette),  
EN 1021 - 2 (match)  
BS 7176 Low Hazard,  
NF P92-507 M1, DIN 4102 B1,  
UNI 9175 Class 1 IM, UNI 8456,  
UNI 9174 & UNI 9177 Classe Uno,  
ÖNORM B 3825 & A 3800-1  
NF D 60-013

\* There is a possibility of ordering the product in full colour spectrum of Atlantic range, as per Gabriel's pattern book, within 8 weeks

Fabric Synergy - third price group



LDS08 Grey melange



LDS20 Light grey



LDS27 Black



LDS29 Dark grey



LDS50 Dark green



LDS53 Green



LDS57 Turquoise



LDS60 Bottle green



LDS61 Plum



LDS69 Navy blue



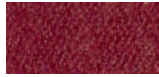
LDS84 Orange



LDS86 Red



LDS88 Aubergine



LDS85 Coral

Technical data:

<b>Material</b>	95% Virgin Wool, 5% Poliamid
<b>Fabric weight</b>	400g/m2 ±5% (560 g/lin.m ±5%)
<b>Abrasion resistance rubs</b>	Independently certified ≥100,000 Martindale cycles
<b>Colour fastness to light</b>	5 (ISO 105 - B02)
<b>Colour fastness to rubbing</b>	ISO 105 - X12 - wet: 4, dry: 4
<b>Flammability</b>	EN 1021 - 1 (cigarette, EN 1021 - 2 (match), BS 7176 Low Hazard, UNI 9175 Classe 1 IM, ÖNORM B 3825 & A 3800-1