

# TECHNICAL SPECIFICATION

## COLOURS

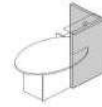
### FRONT



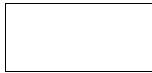
34 CHESTNUT



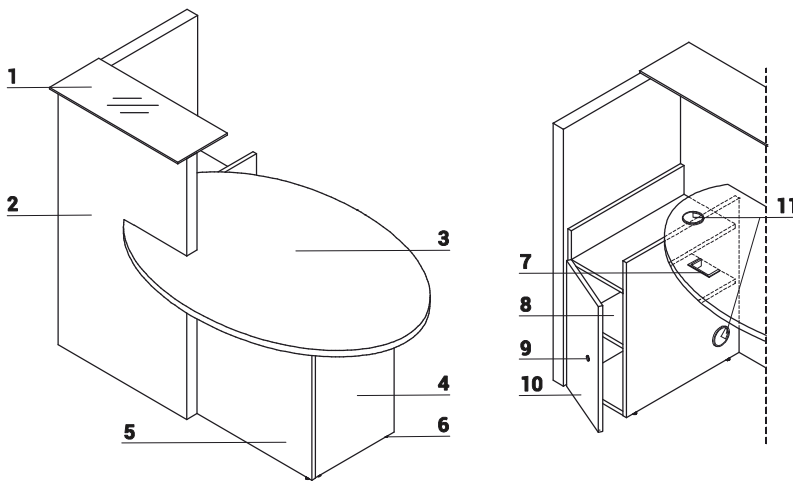
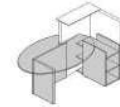
64 COCOA



### BODY

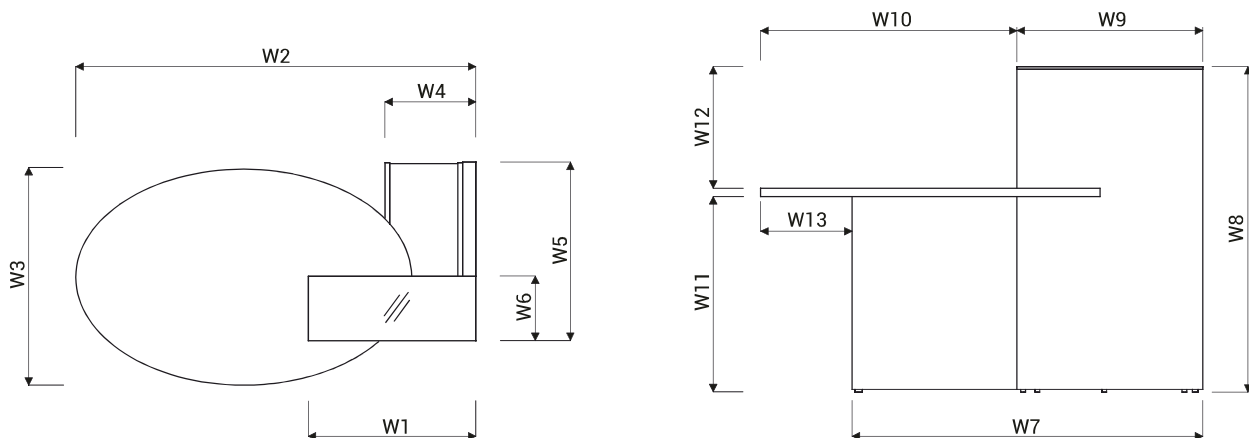


67 WHITE PASTEL



1. **Top** - tempered frosted glass 8mm
2. **Front** - MFC 52mm
3. **Worktop** - MFC 28mm, PVC edge
4. **Body** - MFC 28mm, PVC edge
5. **Body** - MFC 18mm, PVC edge
6. **Leveling** - 5mm range
7. **Rectangular grommet**- 90x48mm
8. **Dividing storage** - MFC 18mm, PVC edge
9. **Patent lock**
10. **Front** - MFC 18mm, PVC edge
11. **Cable grommets** - Ø80mm

## DIMENSIONS



W1 - 650mm | W2 - 1548mm | W3 - 850mm | W4 - 352mm | W5 - 695mm | W6 - 250mm | W7 - 1230mm | W8 - 1150mm | W9 - 650mm | W10 - 900mm | W11 - 692mm | W12 - 430mm | W13 - 320mm

PRODUCT ILLUSTRATION	DIMENSIONS [mm]			INDEX SYMBOL	PRICE EUR					COMMENTS
	WIDTH	DEPTH	HEIGHT			kg	m3	pcs		

**OVO RECEPTION DESK**

	1550	870	1150	<b>LOP10</b>	1 040,-	93.0	0.240	3		
	1550	870	1150	<b>LOL10</b>	1 890,-	93.0	0.236	3		

DESCRIPTION

- NET WEIGHT

VOLUME

NUMBER OF PACKAGES