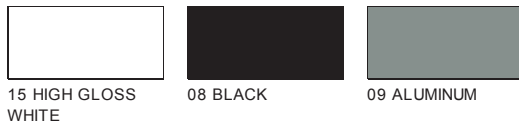
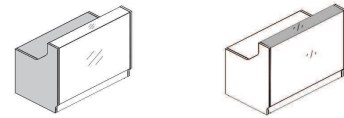
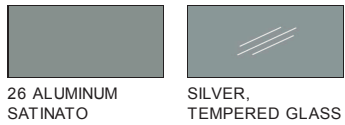
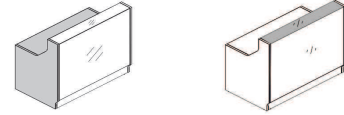
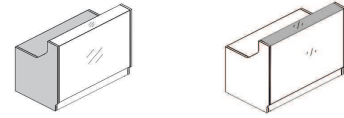
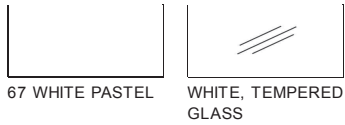


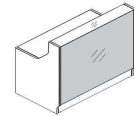
TECHNICAL SPECIFICATION

COLOURS

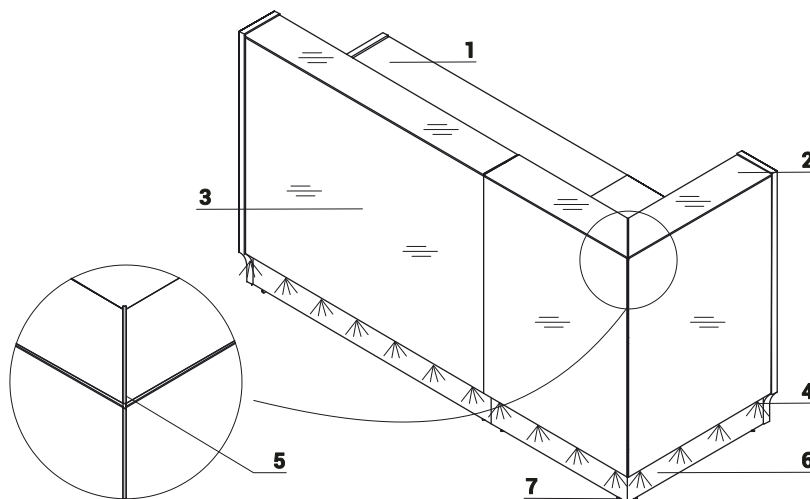
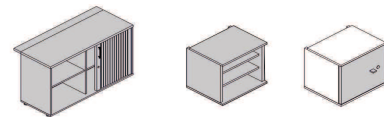
BODY ,COUNTER TOP, SUPPORTING LEG WHERE WORKTOPS CONNECT NL41



FRONT - GLASS

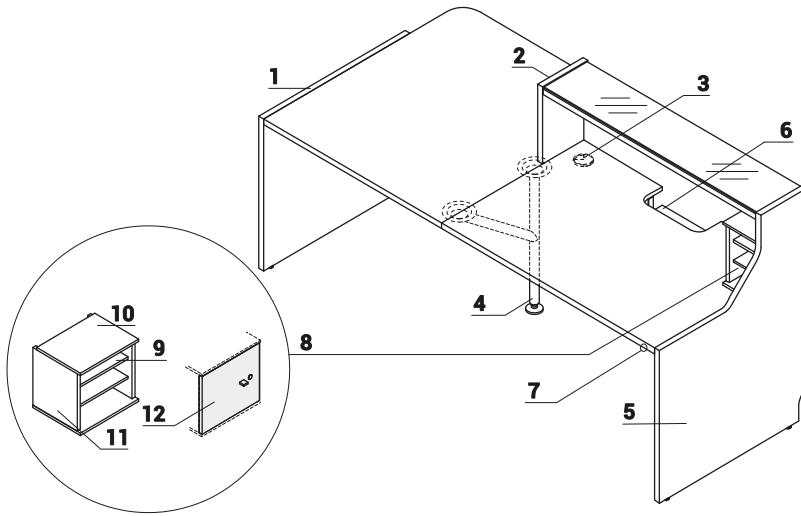


TAMBOUR STORAGE, STACK-ON WORKTOP STORAGE FOR RECEPTION DESK



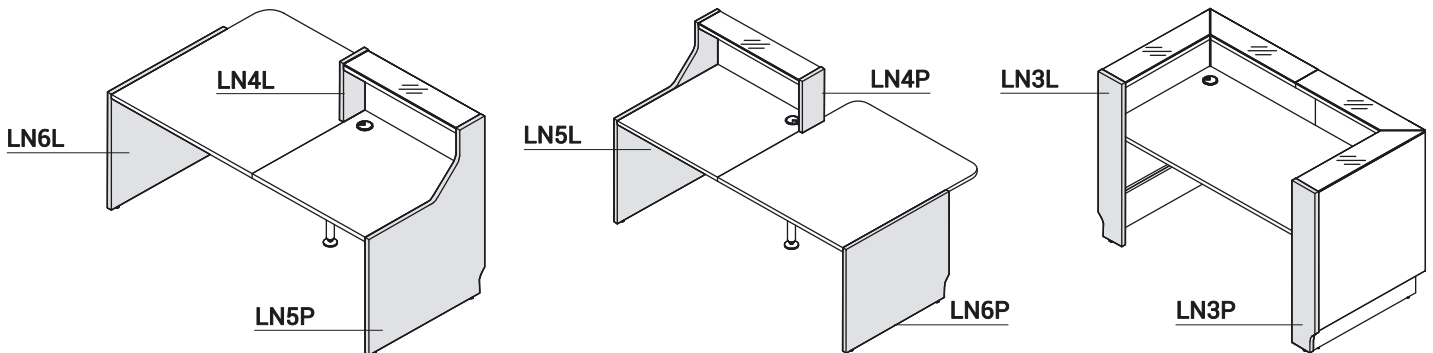
1. **Worktop** - MFC 28mm, PVC edge
2. **Top** - tempered optiwhite glass, 8mm - painted on bottom side
3. **Front** - glass LACOBEL 4mm
4. **LED illumination** - at the full length of the reception desk, cold white color (verging on the blue shade)
5. **Corner slate** - stainless steel 4mm
6. **Kick plate** - HPL - brushed aluminium
7. **Leveling** - 5mm range

TECHNICAL SPECIFICATION

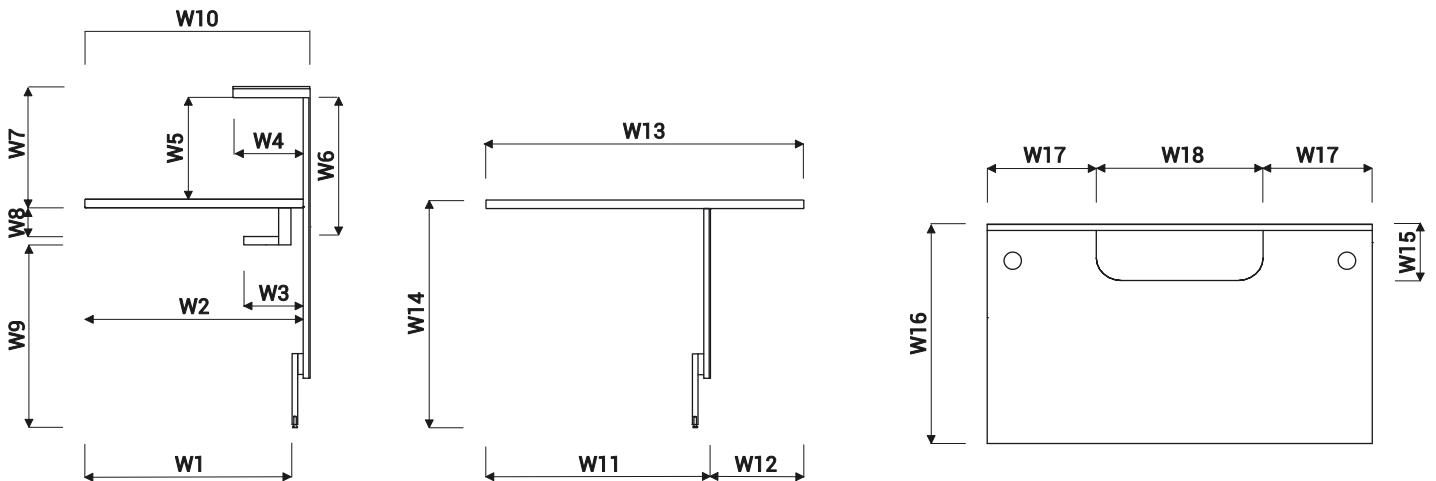


1. **Low side panel** - MFC 28mm, PVC edge
2. **Side panel linking low and high fronts** - MFC 28mm, PVC edge
3. **Cable grommets** - Ø80mm
4. **Supporting leg NL41**- required for connecting the tops
5. **High side panel** - MFC 28mm, PVC edge
6. **Option with additional charge** - working top with lowered monitor shelf - MFC 28mm, PVC edge
7. **Light switch**
8. **LMS05** - reception desk storage; order separately
9. **Shelf** - MFC 12mm, PVC edge
10. **Top** - MFC 12mm, PVC edge
11. **Body** - MFC 18mm, PVC edge
12. **Optional front with lock** - universal (left, right) - MFC 18mm, PVC edge; - ordered as separate element

ENDING ELEMENTS APPLICATION

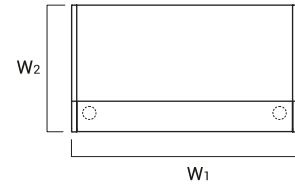
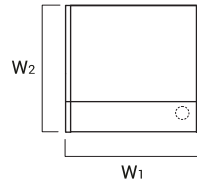
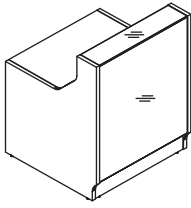


DIMENSIONS

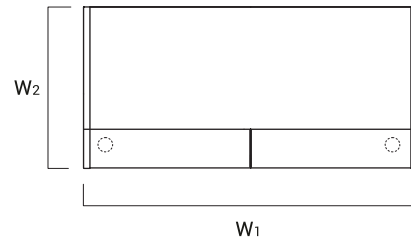
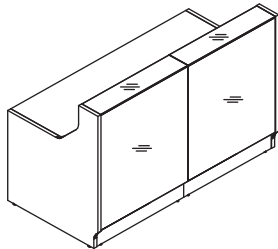


W1 - 763mm | W2 - 800mm | W3 - 200mm | W4 - 228mm | W5 - 329mm | W6 - 424mm | W7 - 365mm | W8 - 151mm | W9 - 589mm | W10 - 822mm | W11 - 822mm | W12 - 300mm | W13 - 1122mm | W14 - 740mm | W15 - 200mm | W16 - 800mm | W17 340/540mm | W18 - 520mm

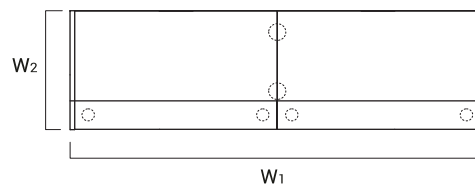
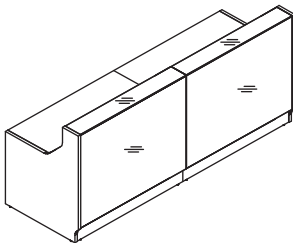
RECEPTION DESKS SYSTEMS



INDEX SYMBOL	DIMENSIONS [mm]									COMPONENTS
	W ₁	W ₂	D ₁	D ₂	H		kg	m ³	pcs	
LIN08	856	824	-	-	1105		69.5	0.345	5	LN5L+LNB08+LN08+LN5P
LIN13	1256	824	-	-	1105		87.5	0.479	5	LN5L+LNB13+LN12+LN5P



INDEX SYMBOL	DIMENSIONS [mm]									COMPONENTS
	W ₁	W ₂	D ₁	D ₂	H		kg	m ³	pcs	
LIN15	1656	824	-	-	1105		107.0	0.623	7	LN5L+LNB15+2xLN08+LN5P



INDEX SYMBOL	DIMENSIONS [mm]									COMPONENTS
	W ₁	W ₂	D ₁	D ₂	H		kg	m ³	pcs	
LIN25	2456	824	-	-	1105		149.0	0.955	9	LN5L+2xLNB13+2xLN12+LN5P+NL41

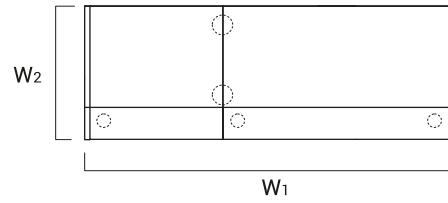
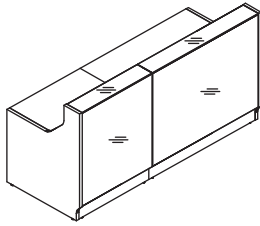
DESCRIPTION

- NET WEIGHT

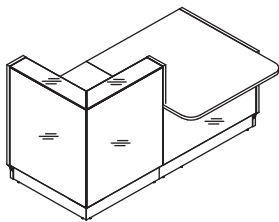
VOLUME

NUMBER OF PACKAGES

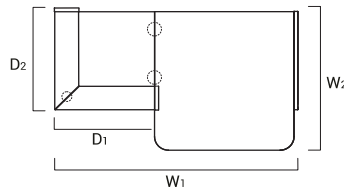
RECEPTION DESKS SYSTEMS



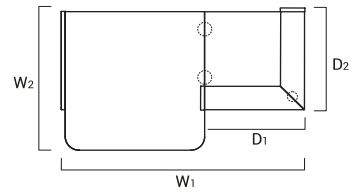
INDEX SYMBOL	DIMENSIONS [mm]									COMPONENTS
	W ₁	W ₂	D ₁	D ₂	H		kg	m ³	pcs	
LIN20	2056	824	-	-	1105		134.0	0.826	10	LN5L+LNB13+LN08+LN12+LN08+LN5P+NL41



A



B



INDEX SYMBOL	DIMENSIONS [mm]									COMPONENTS
	W ₁	W ₂	D ₁	D ₂	H		kg	m ³	pcs	
A LIN29L	1850	1150	822	850	1105		147.5	1.296	9	LN6L+LNU11+LN4L+LNB08+LN91+LN3P+NL41
B LIN29P	1850	1150	822	850	1105		147.5	1.293	9	LN3L+LN91+LNB08+LN4P+LNU11+LN6P+NL41
A LIN291L	1650	1150	822	850	1105		143.5	1.296	9	LN6L+LNU11+LN4L+LNB08+LN91+LN3P+NL41
B LIN291P	1650	1150	822	850	1105		143.5	1.293	9	LN3L+LN91+LNB08+LN4P+LNU11+LN6P+NL41

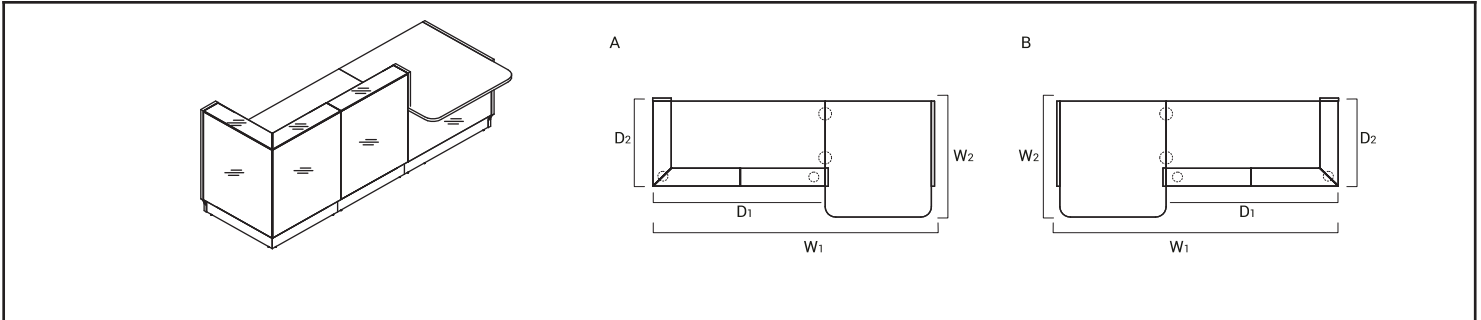
DESCRIPTION

- NET WEIGHT

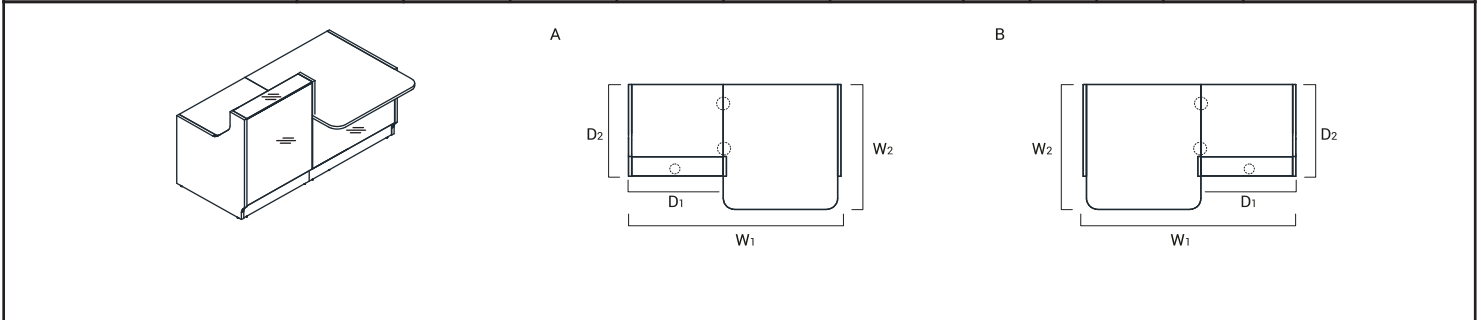
VOLUME

NUMBER OF PACKAGES

RECEPTION DESKS SYSTEMS



INDEX SYMBOL	DIMENSIONS [mm]										COMPONENTS
	W ₁	W ₂	D ₁	D ₂	H						
A LIN35L	2650	1150	1622	850	1105		188.0	1.580	12		LN6L+LNU11+LN4L+LN08+LNB15+LN91+LN3P+NL41
B LIN35P	2650	1150	1622	850	1105		188.0	1.577	12		LN3L+LN91+LNB15+LN08+LN4P+LNU11+LN6P+NL41
A LIN351L	2450	1150	1622	850	1105		183.0	1.580	12		LN6L+LNU111+LN4L+LN08+LNB15+LN91+LN3P+NL41
B LIN351P	2450	1150	1622	850	1105		183.0	1.577	12		LN3L+LN91+LNB15+LN08+LN4P+LNU111+LN6P+NL41



INDEX SYMBOL	DIMENSIONS [mm]										COMPONENTS
	W ₁	W ₂	D ₁	D ₂	H						
A LIN33L	1856	1122	828	824	1105		103.5	0.562	9		LN6L+LNU11+LN4L+LN08+LNB08+LN5P+NL41
B LIN33P	1856	1122	828	824	1105		103.5	0.560	9		LN5L+LNB08+LN08+LN4P+LNU11+LN6P+NL41
A LIN331L	1656	1122	828	824	1105		99.5	0.562	9		LN6L+LNU111+LN4L+LN08+LNB08+LN5P+NL41
B LIN331P	1656	1122	828	824	1105		99.5	0.560	9		LN5L+LNB08+LN08+LN4P+LNU111+LN6P+NL41

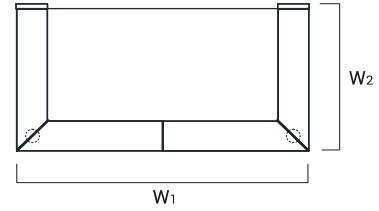
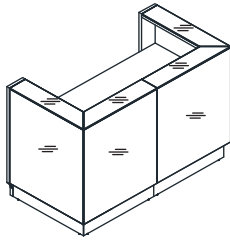
DESCRIPTION

- NET WEIGHT

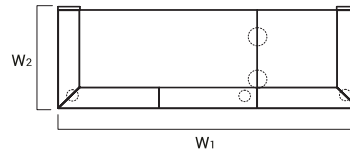
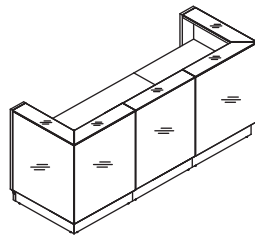
VOLUME

NUMBER OF PACKAGES

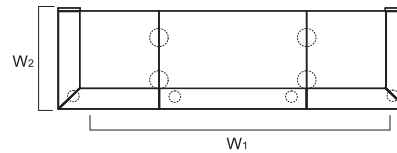
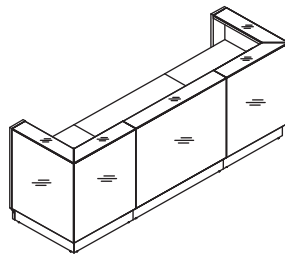
RECEPTION DESKS SYSTEMS



INDEX SYMBOL	DIMENSIONS [mm]									COMPONENTS
	W ₁	W ₂	D ₁	D ₂	H		kg	m ³	pcs	
LIN36	1644	850	-	-	1105		198.0	2.096	8	LN3L+LNB15+2xLN91+LN3P



INDEX SYMBOL	DIMENSIONS [mm]									COMPONENTS
	W ₁	W ₂	D ₁	D ₂	H		kg	m ³	pcs	
LIN42	2444	850	-	-	1105		241.5	2.439	12	LN3L+LNB08+2xLN91+LN08+LNB15+LN3P+NL41



INDEX SYMBOL	DIMENSIONS [mm]									COMPONENTS
	W ₁	W ₂	D ₁	D ₂	H		kg	m ³	pcs	
LIN43	2844	850	-	-	1105		265.5	2.637	14	LN3L+LNB08+2xLN91+LNB13+LN12+LNB08+LN3P+2xNL41

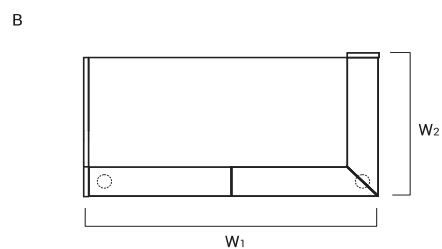
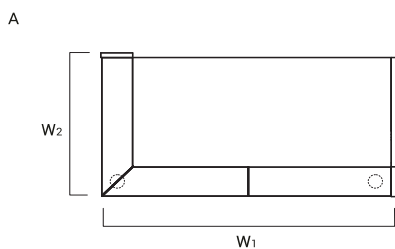
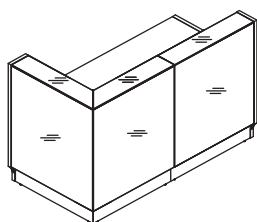
DESCRIPTION

- NET WEIGHT

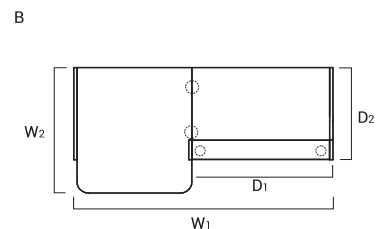
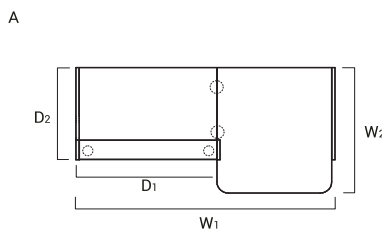
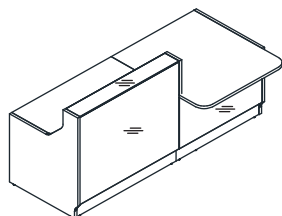
VOLUME

NUMBER OF PACKAGES

RECEPTION DESKS SYSTEMS



INDEX SYMBOL	DIMENSIONS [mm]						kg	m3	pcs	COMPONENTS
	W ₁	W ₂	D ₁	D ₂	H					
A LIN37L	1650	850	-	-	1105		154.0	1.362	8	LN5L+LN08+LNB15+LN91+LN3P
B LIN37P	1650	850	-	-	1105		154.0	1.362	8	LN3L+LN91+LNB15+LN08+LN5P



INDEX SYMBOL	DIMENSIONS [mm]						kg	m3	pcs	COMPONENTS
	W ₁	W ₂	D ₁	D ₂	H					
A LIN34L	2256	1122	1228	824	1105		124.5	0.701	10	LN6L+LNU11+LN4L+LN12+LNB13+LN5P+NL41
B LIN34P	2256	1122	1228	824	1105		124.5	0.698	10	LN5L+LNB13+LN12+LN4P+LNU11+LN6P+NL41
A LIN341L	2256	1122	1228	824	1105		120.5	0.701	10	LN6L+LNU11+LN4L+LN12+LNB13+LN5P+NL41
B LIN341P	2056	1122	1228	824	1105		120.5	0.698	10	LN5L+LNB13+LN12+LN4P+LNU11+LN6P+NL41

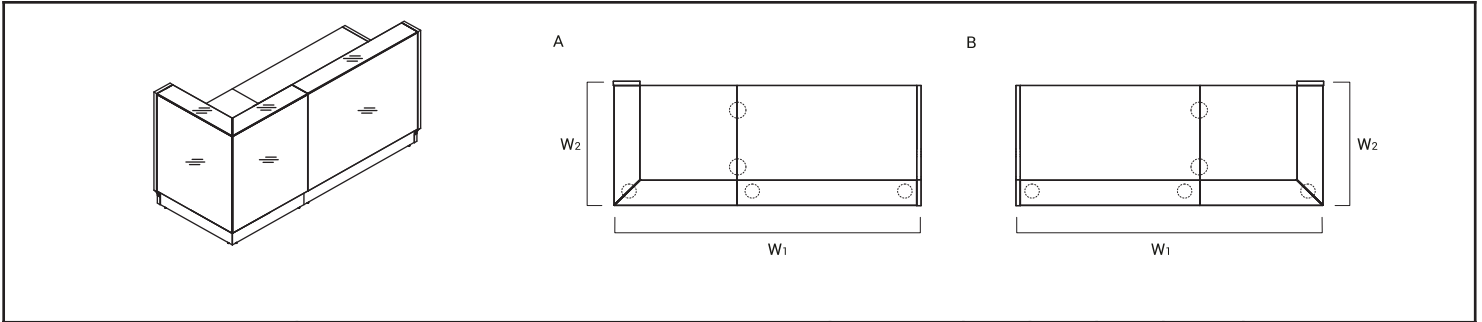
DESCRIPTION

- NET WEIGHT

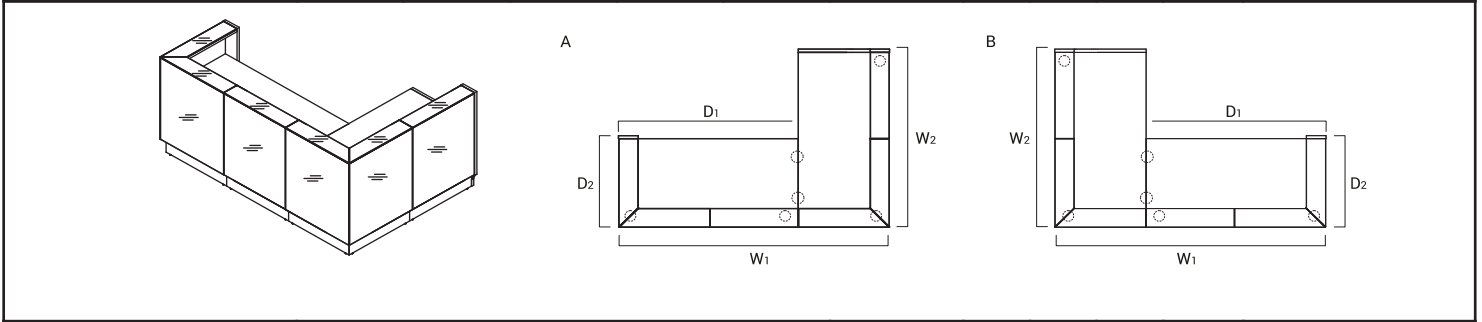
VOLUME

NUMBER OF PACKAGES

RECEPTION DESKS SYSTEMS



INDEX SYMBOL	DIMENSIONS [mm]										COMPONENTS
	W ₁	W ₂	D ₁	D ₂	H						
A LIN38L	2050	850	-	-	1105		178.0	1.560	10		LN5L+LNB13+LN12+LNB08+LN91+LN3P+NL41
B LIN38P	2050	850	-	-	1105		178.0	1.560	10		LN3L+LNB08+LN91+LNB13+LN12+LN5P+NL41



INDEX SYMBOL	DIMENSIONS [mm]										COMPONENTS
	W ₁	W ₂	D ₁	D ₂	H						
A LIN39L	2444	1650	1622	850	1105		286.0	2.735	14		LN5L+2xLN08+2xLNB15+2xLN91+LN3P+NL41
B LIN39P	2444	1650	1622	850	1105		292.0	2.746	16		LN3L+2xLN91+2xLNB15+2xLN08+LN5P+NL41

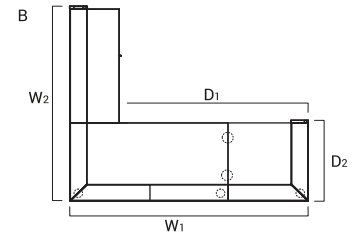
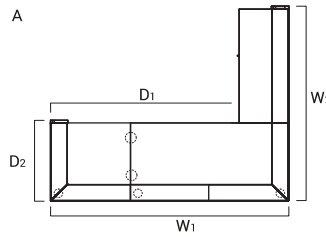
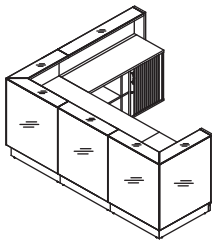
DESCRIPTION

- NET WEIGHT

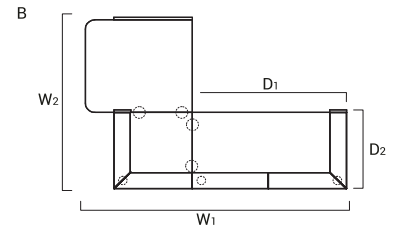
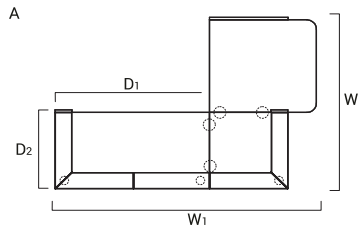
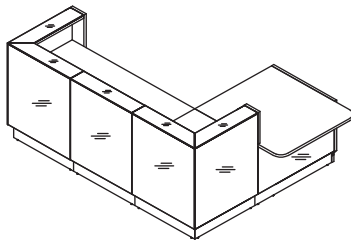
VOLUME

NUMBER OF PACKAGES

RECEPTION DESKS SYSTEMS



INDEX SYMBOL	DIMENSIONS [mm]						kg	m ³	pcs	COMPONENTS
	W ₁	W ₂	D ₁	D ₂	H					
A LIN40L	2444	2050	1950	850	1105		332.5	3.283	16	LN3+LN12+L2Z06+2xLN91+LNB15+LN08+LNB08+LN3P+NL41
B LIN40P	2444	2050	1950	850	1105		332.5	3.283	16	LN3+LNB08+2xLN91+LN08+LNB15+L2Z06+LN12+LN3P+NL41



INDEX SYMBOL	DIMENSIONS [mm]						kg	m ³	pcs	COMPONENTS
	W ₁	W ₂	D ₁	D ₂	H					
A LIN41L	2744	1850	1622	850	1105		282.5	2.674	16	LN6L+LNU11+LN4L+2xLN91+LNB08+LN08+LNB15+LN3P+2xNL41
B LIN41P	2744	1850	1622	850	1105		282.5	2.672	16	LN3L+2xLN91+LNB15+LN08+LNB08+LN4P+LNU11+LN6P+2xNL41
A LIN411L	2544	1850	1622	850	1105		277.5	2.674	16	LN6L+LNU11+LN4L+2xLN91+LNB08+LN08+LNB15+LN3P+2xNL41
B LIN411P	2544	1850	1622	850	1105		277.5	2.672	16	LN3L+2xLN91+LNB15+LN08+LNB08+LN4P+LNU11+LN6P+2xNL41

DESCRIPTION

- NET WEIGHT

VOLUME

NUMBER OF PACKAGES

PRODUCT ILLUSTRATION	DIMENSIONS [mm]			INDEX SYMBOL						COMPONENTS
	WIDTH	DEPTH	HEIGHT			kg	m3	pcs		

COMPOSITION ELEMENTS

	800	250	1105	LN08		27.5	0.254	2		
	1200	250	1105	LN12		41.5	0.376	2		
	822	822	1105	LN91		78.5	1.007	2		
	800	1122	740	LNU111		27.5	0.156	2		
	1000	1122	740	LNU11		31.5	0.156	2		
	800	800	28	LNB08		14.0	0.025	1		
	1200	800	28	LNB13		21.0	0.042	2		
	1600	800	28	LNB15		27.0	0.054	2		
	254	28	1105	LN3L		7.0	0.014	1		left

DESCRIPTION

- NET WEIGHT

VOLUME

NUMBER OF PACKAGES

PRODUCT ILLUSTRATION	DIMENSIONS [mm]			INDEX SYMBOL						COMPONENTS
	WIDTH	DEPTH	HEIGHT			kg	m3	pcs		

COMPOSITION ELEMENTS

	254	28	1105	LN3P		7.0	0.014	1		right
	254	28	367	LN4L		2.5	0.006	1		left
	254	28	367	LN4P		2.5	0.006	1		right
	824	28	1105	LN5L		14.0	0.033	1		left
	824	28	1105	LN5P		14.0	0.033	1		right
	824	28	740	LN6L		12.0	0.024	1		left
	824	28	740	LN6P		12.0	0.022	1		right
	345	283	314	LMS05		5.0	0.031	1		
	339	18	286	LMS06		2.0	0.005	1		

DESCRIPTION

- NET WEIGHT

VOLUME

NUMBER OF PACKAGES

PRODUCT ILLUSTRATION	DIMENSIONS [mm]			INDEX SYMBOL						COMPONENTS
	WIDTH	DEPTH	HEIGHT			kg	m3	pcs		

COMPOSITION ELEMENTS

	1200	532	740	L2Z06		49.5	0.469	2		
	585	142	712	NL41		2.0	0.063	1		round profile leg
	580	162	123	S69L		1.0	0.015	1		09 - aluminum
	460	110	121	E64L		1.0	0.006	0		horizontal cable tray 09 - aluminum

DESCRIPTION

- NET WEIGHT

VOLUME

NUMBER OF PACKAGES