

Hana compact acoustic booth

	Symbol	Price [EUR]	Width [mm]	Depth [mm]	Height [mm]	Weight Volume Packages	Additional charges [EUR]			Comments
							1*	2*	3*	
							Price group III (Colour 1)	Price group IV (Colour 1)	Customer fabric (Colour 1)	
	HN01	5900	1184	1092	2217	340 kg 2.68 m ³ 1	530	905	530	mediabox - 2×230V + 1xUSB + 1xUSB type C
	HN01Q	5600	1184	1092	2217	340 kg 2.68 m ³ 1				Mediabox - 2×230V + 1xUSB + 1xUSB type C

Additional charges:

1. Price group III (Colour 1)
2. Price group IV (Colour 1)
3. Customer fabric (Colour 1)

Technical specification

1 Top panel:

- outside - MDF 28 mm, upholstered, colour: LDS27 - black
- inside - chipboard 12 mm upholstered, colour: LDS27 - black, two-point lighting; exhaust fans activated by a motion detector (adjustable ventilation speed); ventilation grate in the floor

2 Body - 58 mm, upholstered walls with acoustic filling

- ### 3 Shelf - MDF board 28 mm, lacquered, measurements: 1070x388x28x28 mm, colour: black

4 Mediabox - 2x230V + 1xUSB + 1xUSB type C

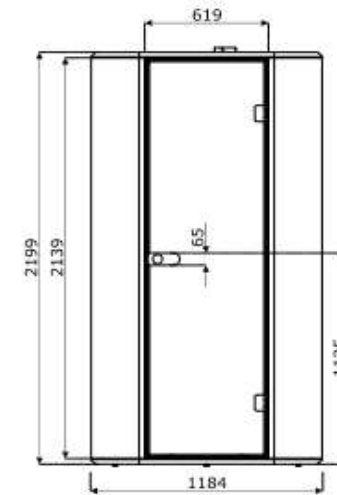
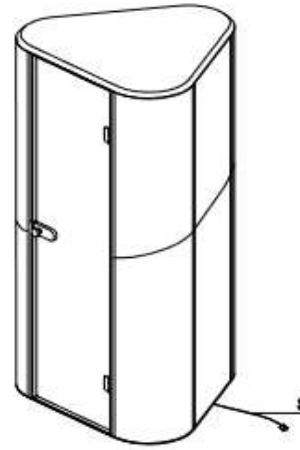
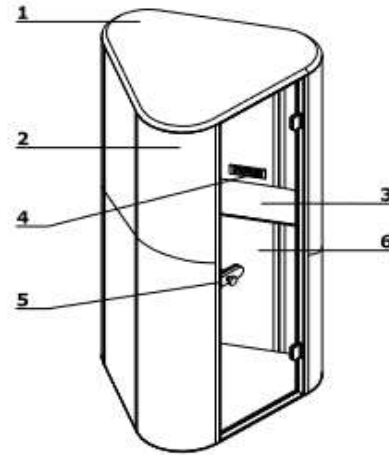
- ### 5 Rotary knob - powder coated steel, colour: black

6 Door - toughened glass 8 mm, clear, right

7 Bottom rim:

- outside - MDF 28 mm, upholstered, colour: LDS27 - black
- inside - chipboard 18 mm, carpet, colour: graphite

8 Electric hook - up



Dimensions (mm)

Stool

Dimensions (mm)

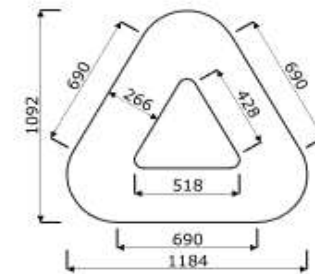
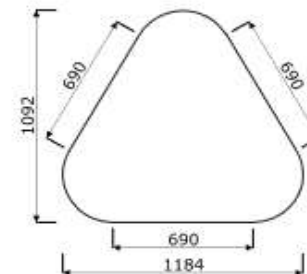
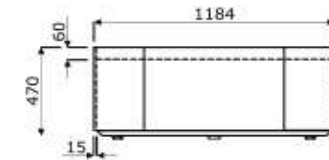
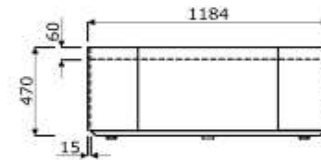
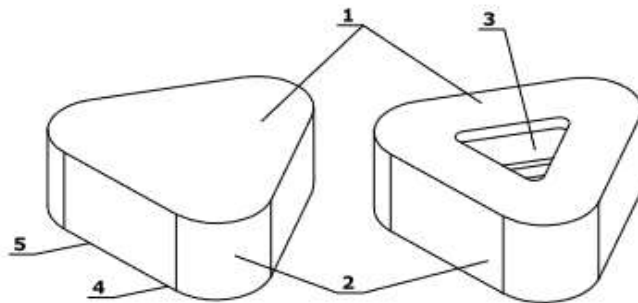
1 Seat - upholstered, filled with 60 mm thick foam

2 Body - chipboard frame

3 Plant pot - plastic, depth 470 mm

4 Feet - plastic, 3 units

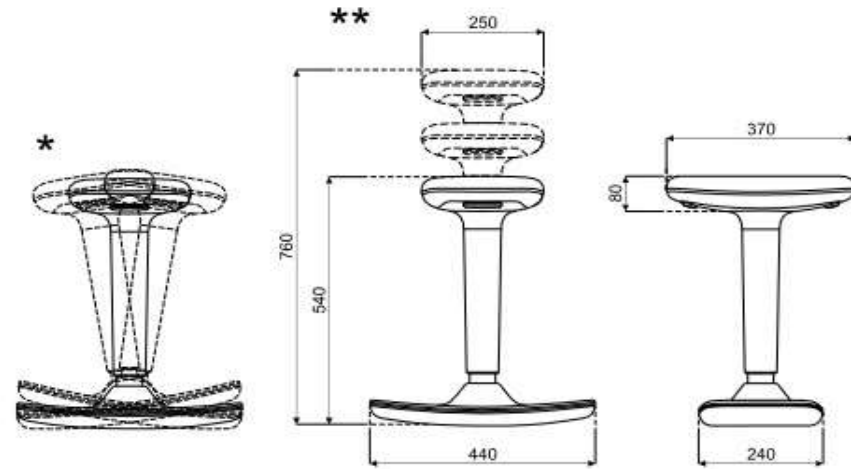
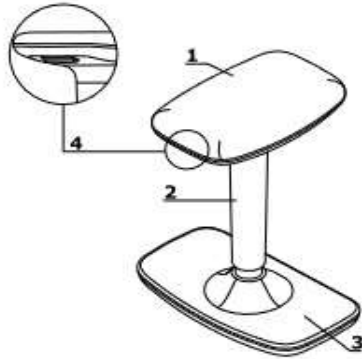
5 Base - lacquered MDF, colour: black



Cool - stool

Dimensions (mm)

- 1 360° Seat** - polypropylene base, molded foam, density of 65 kg/m³, upholstered
- 2 Gas lift** - polypropylene cover
- 3 Base** - polypropylene, covered in non-slip rubber
- 4 Button** - allowing for height adjustment

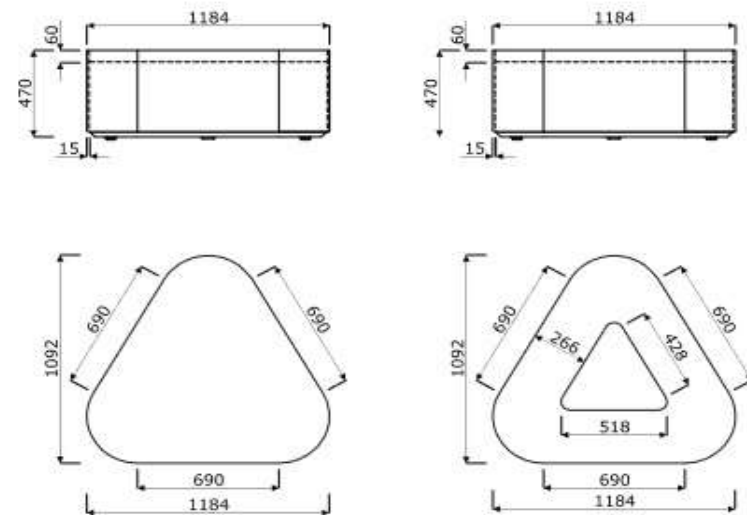
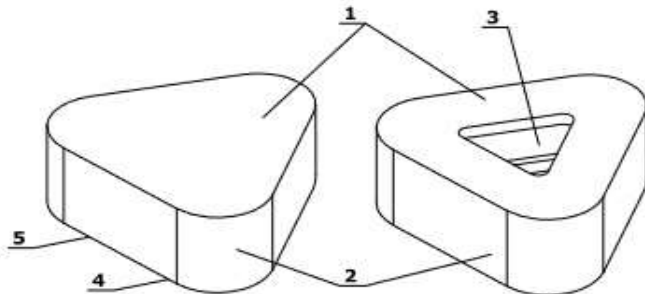


* wobble (left, right) +/- 20°

Stool

Dimensions (mm)

- 1 Seat** - upholstered, filled with 60 mm thick foam
- 2 Body** - chipboard frame
- 3 Plant pot** - plastic, depth 470 mm
- 4 Feet** - plastic, 3 units
- 5 Base** - lacquered MDF, colour: black



Coda one-person acoustic booth

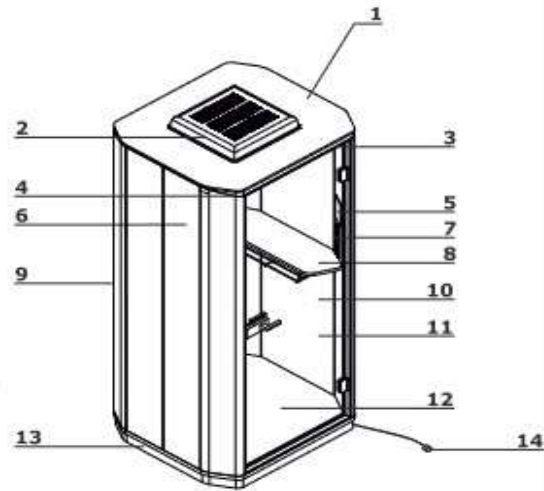
							Additional charges [EUR]			
							1*	2*	3*	
							Price group III (Colour of interior walls)	Price group IV (Colour of interior walls)	Customer fabric (Colour of interior walls)	
Symbol	Price [EUR]	Width [mm]	Depth [mm]	Height [mm]	Weight	Volume				Comments
						Packages				
	CD01	7000	1110	1000	2270	503 kg 2.87 m ³ 1	210	370	210	

Additional charges:

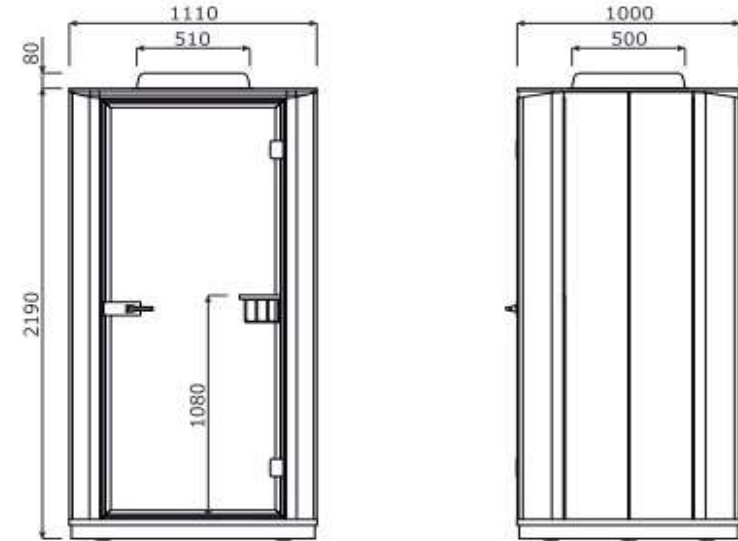
1. Price group III (Colour of interior walls)
2. Price group IV (Colour of interior walls)
3. Customer fabric (Colour of interior walls)

Technical specification

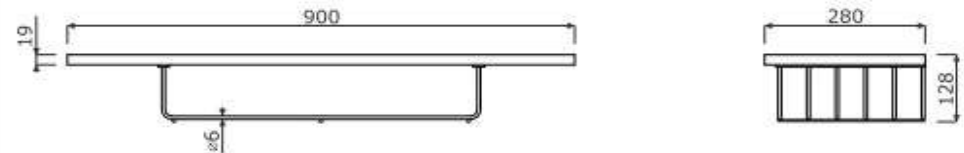
- 1 Ceiling** - varnished MDF board, upholstered, colour: LDS20 - grey; fitted with lighting and fan
- 2 Ventilator** - ceiling-mounted fan with airflow adjustment
- 3 Motion sensor** - activation of lighting, fans, touch panel and signal lamps
- 4 Signal lamps** - 4 pcs.; red light - occupied, green light - free
- 5 Control panel** - regulation of lighting intensity and air flow
- 6 External wall** - powder coated steel; 1mm thick
- 7 Mediabox** - 2x230V + 1 x USB A + 1 x USB C
- 8 Shelf** - MDF 19mm, frame - steel rod $\varnothing 6$ mm; colour: black
- 9 Glass wall** - acoustic safety glass, thickness 10mm, aluminum profile 52x45mm
- 10 Internal wall** - filled with acoustic foam, upholstered
- 11 Glass doors** - acoustic safe glass, thickness 10mm; equipment: hinges, handle and seal system
- 12 Floor** - MDF 31 mm + acoustic fitted carpet
- 13 Wheels** - covered with a plinth, allow the booth to be easily moved
- 14 Electrical connection** - cable outlet in the roof or plinth




Dimensions (mm)



Dimensions - shelf (mm)






Hako acoustic booth

	Symbol	Price [EUR]	Width [mm]	Depth [mm]	Height [mm]	Weight Volume Packages	Additional charges [EUR]						Comments
							1*	2*	3*	4*	5*	6*	
	HK01	9320	1150	1400	2341	400.6 kg 3.36 m ³ 2	Floor 364	Mediabox 396	Mediabox (Mediabox AC) 792	Price group III (Colour of interior walls) 370	Price group IV (Colour of interior walls) 655	Customer fabric (Colour of interior walls) 370	accommodates: 1 person, 2 upholstered walls; attention: large size of the elements – compare the size of the passageways at the location of the assembly with the size of the elements of the booth (see the technical description in the pricelist)

Additional charges:

1. Floor
2. Mediabox (Mediabox A, Mediabox C)
3. Mediabox (Mediabox AC)
4. Price group III (Colour of interior walls)
5. Price group IV (Colour of interior walls)
6. Customer fabric (Colour of interior walls)





Hako Meeting acoustic booth

							Additional charges [EUR]								
Symbol	Price [EUR]	Width [mm]	Depth [mm]	Height [mm]	Weight Volume Packages	1* Floor	2* Mediabox	3* Mediabox	4* Mediabox (Mediabox AB)	5* Mediabox	6* Mediabox (Mediabox ABC)	7* Price group III (Colour of interior walls)	8* Price group IV (Colour of interior walls)	9* Customer fabric (Colour of interior walls)	
	HK021	15680	2225	1400	2341	537.2 kg 3.41 m ³ 2	680		396		792	1188	590	990	590
	HK04	13280	2225	1400	2341	442 kg 3.31 m ³ 1				396	792		410	715	410
	HK08	17640	2347	1400	2283	533 kg 3.42 m ³ 2	680		396		792	1188	590	990	590

Additional charges:

1. Floor
2. Mediabox (Mediabox A, Mediabox B)
3. Mediabox (Mediabox A, Mediabox B, Mediabox C)
4. Mediabox (Mediabox AB)
5. Mediabox (Mediabox AB, Mediabox AC, Mediabox BC)
6. Mediabox (Mediabox ABC)
7. Price group III (Colour of interior walls)
8. Price group IV (Colour of interior walls)
9. Customer fabric (Colour of interior walls)

Hako Meeting XL acoustic booth

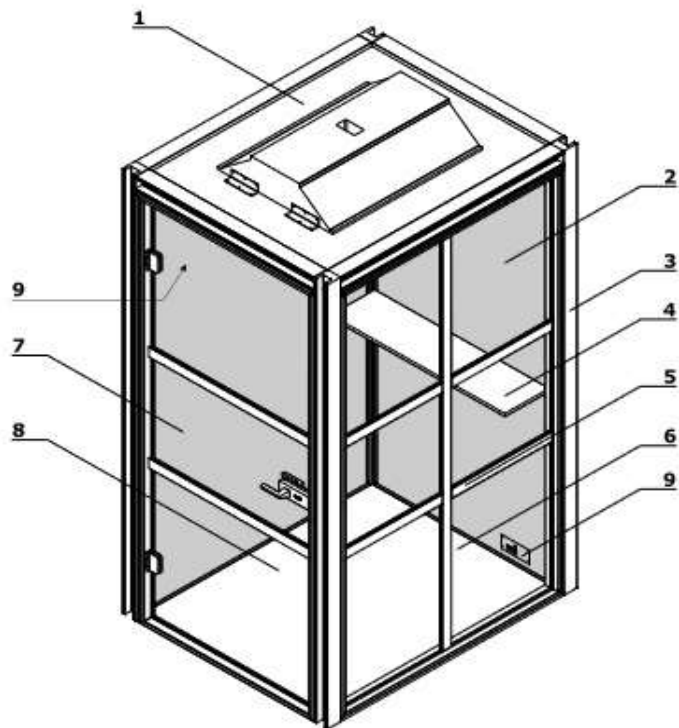
	Symbol	Price [EUR]	Width [mm]	Depth [mm]	Height [mm]	Weight Volume Packages	Additional charges [EUR]				Comments
							1* Floor	2* Price group III (Colour of interior walls)	3* Price group IV (Colour of interior walls)	4* Customer fabric (Colour of interior walls)	
	HK03	22120	2762	2725	2341	942.3 kg 6.89 m ³ 4	1755	695	1200	695	accommodates: 4 - 6 people; attention: large size of the elements – compare the size of the passageways at the location of the assembly with the size of the elements of the booth (see the technical description in the pricelist)
	HK05	26600	2225	2725	2341	997.6 kg 6.83 m ³ 4	1360	990	1685	990	Attention: large size of the elements – compare the size of the passageways at the location of the assembly with the size of the elements of the booth (see the technical description in the pricelist)
	HK06	37240	4913	2225	2341	1572 kg 10.32 m ³ 7	2740	1200	2000	1200	Attention: large size of the elements – compare the size of the passageways at the location of the assembly with the size of the elements of the booth (see the technical description in the pricelist)
	HK07	33320	3838	2725	2341	1437.4 kg 10.3 m ³ 6	2420	925	1620	925	Attention: large size of the elements – compare the size of the passageways at the location of the assembly with the size of the elements of the booth (see the technical description in the pricelist)

Additional charges:

1. Floor
2. Price group III (Colour of interior walls)
3. Price group IV (Colour of interior walls)
4. Customer fabric (Colour of interior walls)

Technical specification

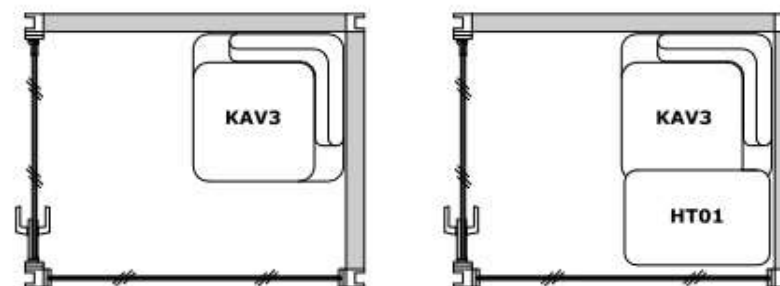
- 1 Ceiling** - upholstered, equipped with lighting and exhaust fans
- 2 Upholstered wall** - full, 75 mm thick, upholstered on both sides, acoustic filling with sound isolation properties
- 3 Columns** - 75x75 mm, powder coated
- 4 Shelf** - 12 mm MDF, colour: black, can be mounted only to upholstered walls with 1000mm width.
- 5 Aluminium strips** - 5 mm thick
- 6 Glass wall** - toughened glass, 6 mm thick
- 7 Glass door** - toughened glass, 8 mm thick, equipped with hinges, handle with a lock and gaskets system improving the acoustic properties of the booth
- 8 Floor** - melamine plate + acoustic covering (21mm thickness), colour: graphite - option with additional fee
- 9 Fans:**
 - *in - take (near the floor) - can be turned on and off, with adjustable fan speed. The exact location can be found on the shop drawings.
 - *exhaust - integrated with the ceiling lamp



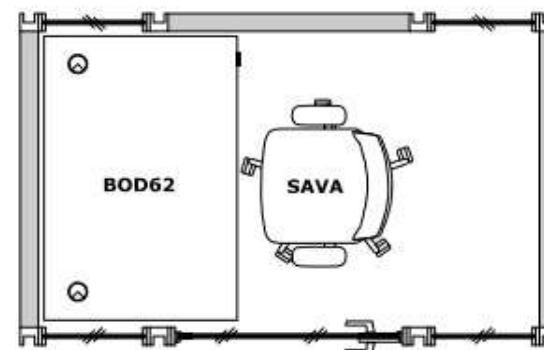
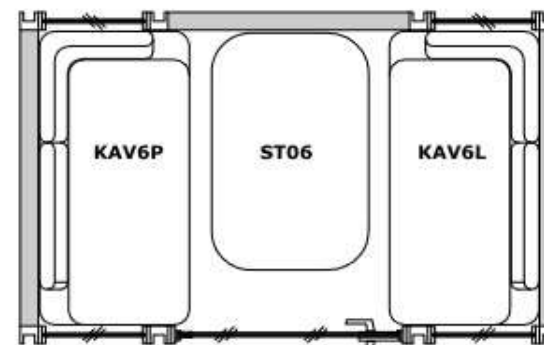
Attention! In standard the booth has no floor.

Configuration examples

HK01

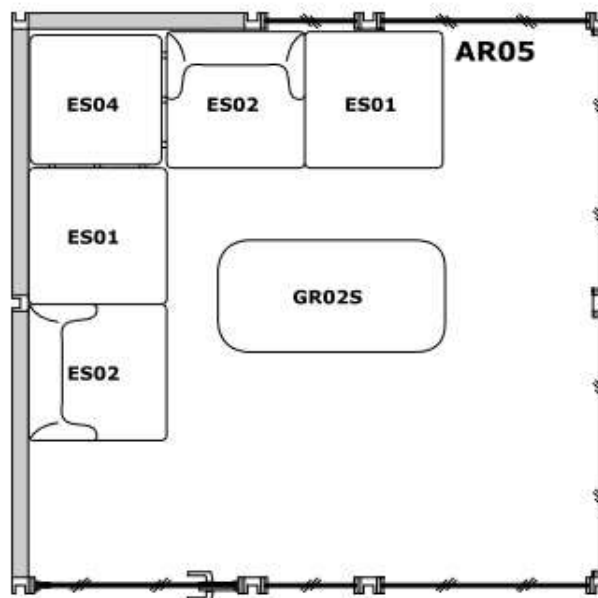
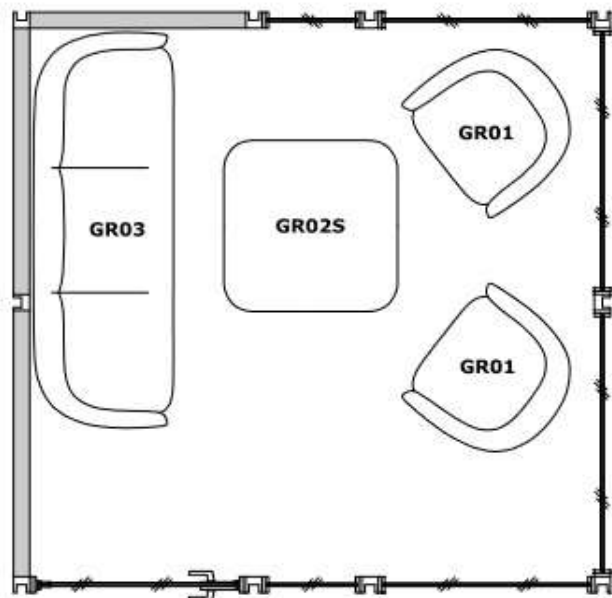
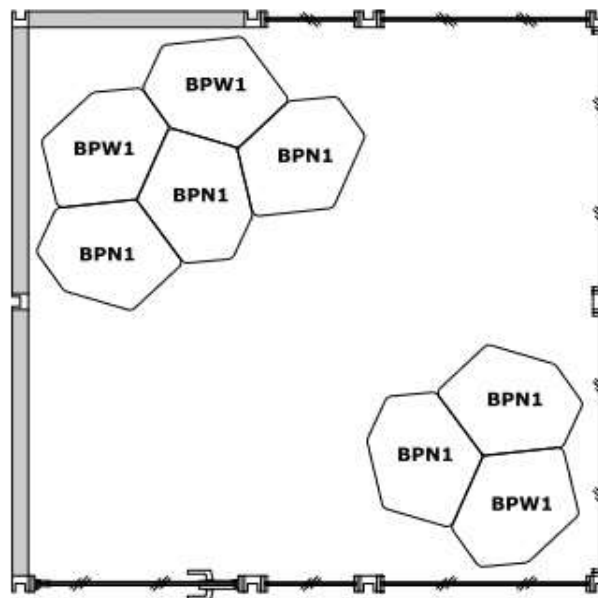
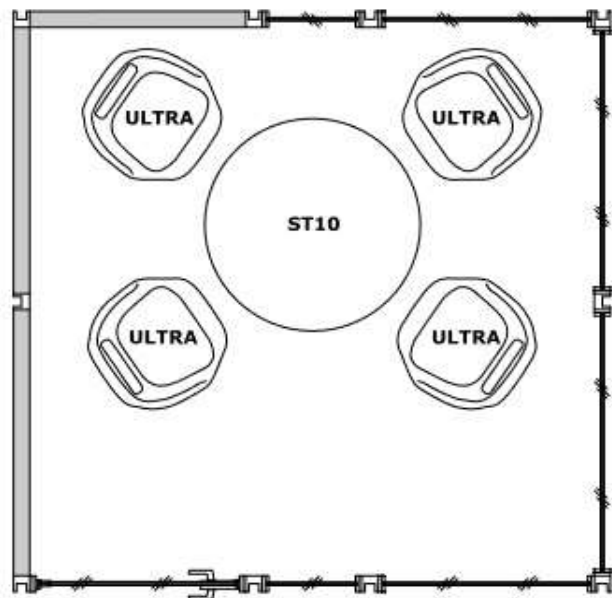


HK021



Configuration examples

HK03



Dimensions (mm)

Mediabox location


1 Mediabox - 2x230V + 1xUSB + 1xUSB type C


A - on the left wall near the floor

B - on the right wall near the floor

C - on the shorter wall above 740mm height

Legend:

 in - take fans (near the floor) can be turned on and off, with adjustable fan speed. - Attention! It is suggested not to block fans to ensure the proper airflow rate

 motion sensor (activates the exhaust fans and lighting)

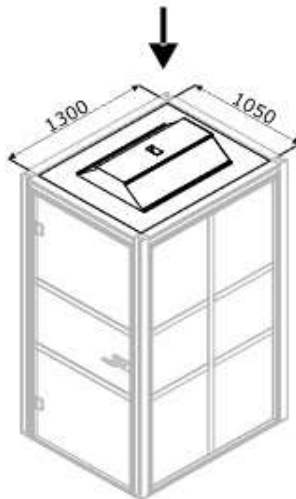
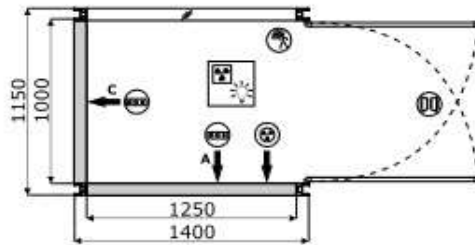
 wireless light switch - which can be situated in any place

 left / right door option

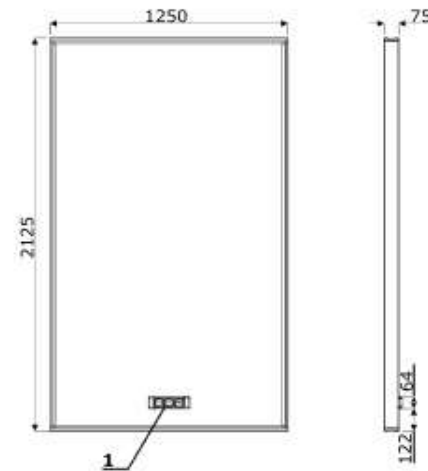
 sliding door

 exhaust fans are integrated with the ceiling lamp

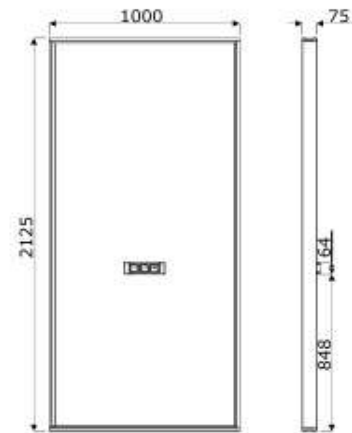
HK01



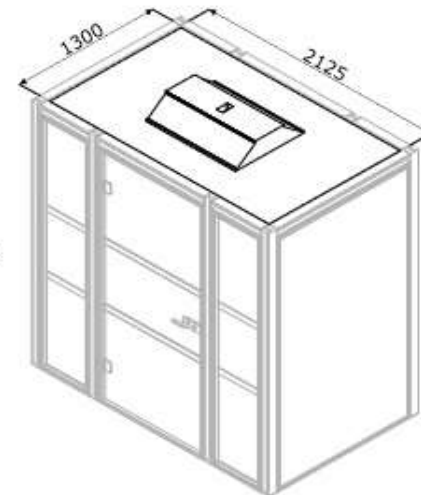
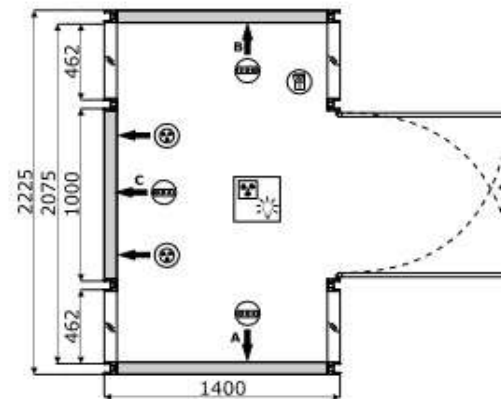
A, B



C

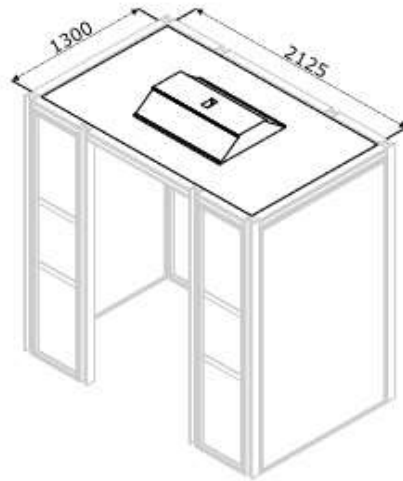
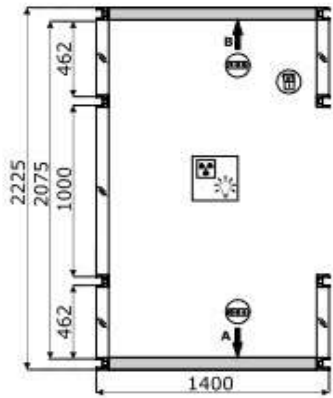


HK021

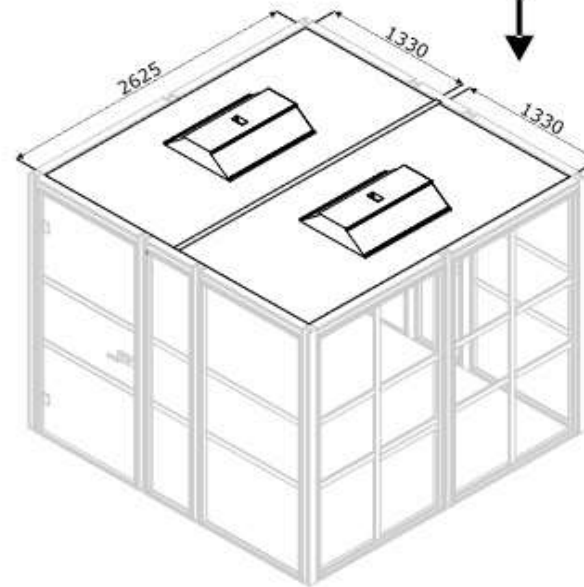
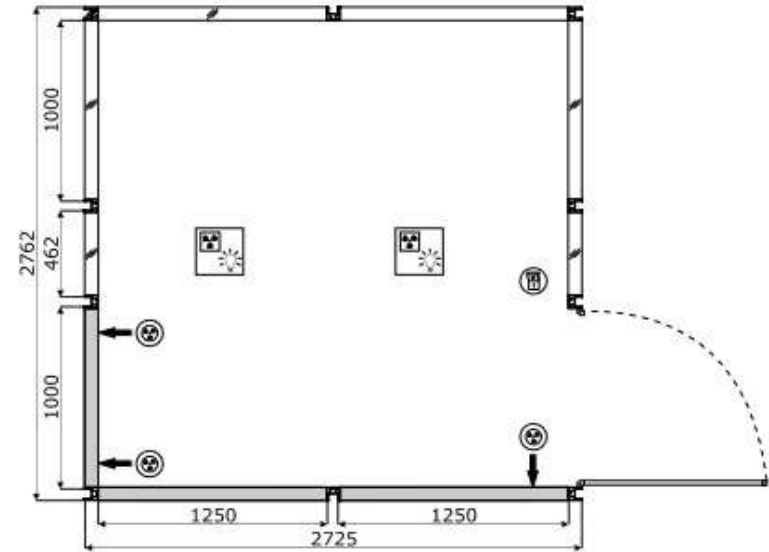


Dimensions (mm)

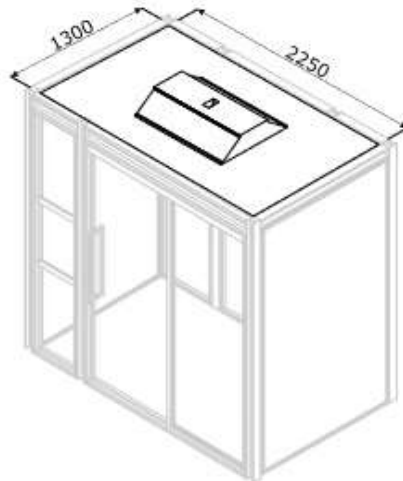
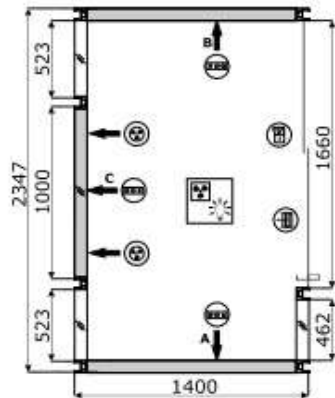
HK04



HK03




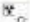


HK08

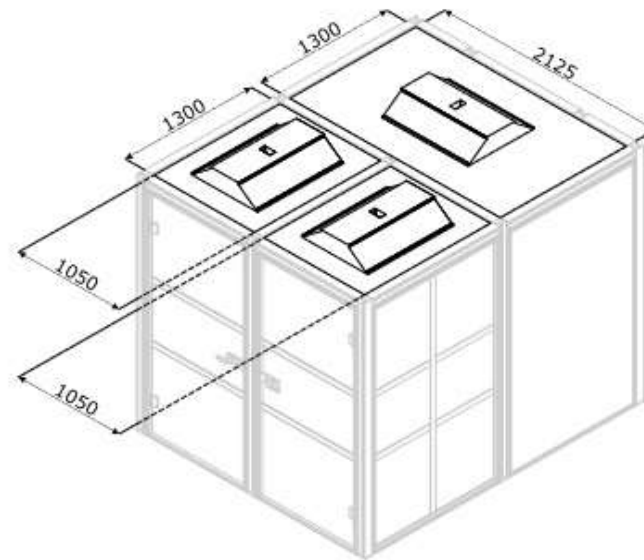
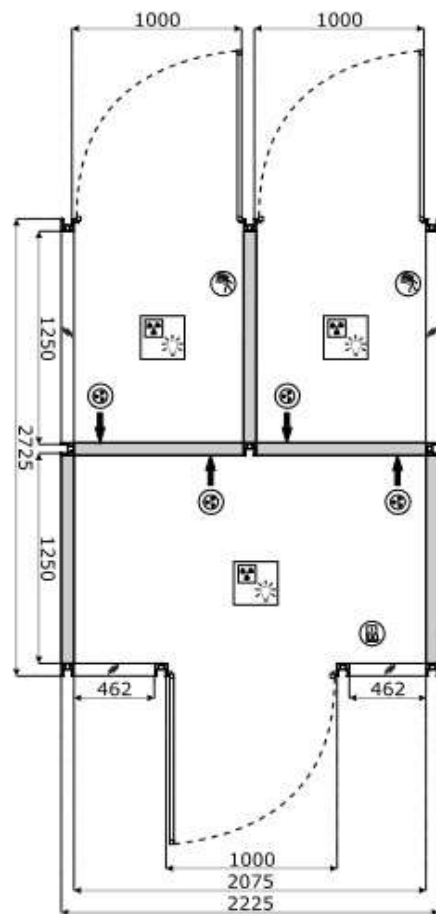


Dimensions (mm)

Legend:


-  in - take fans (near the floor) can be turned on and off, with adjustable fan speed. - Attention! It is suggested not to block fans to ensure the proper airflow rate
-  motion sensor (activates the exhaust fans and lighting)
-  wireless light switch - which can be situated in any place
-  exhaust fans are integrated with the ceiling lamp

HK05



Dimensions (mm)

Legend:

 in - take fans (near the floor) can be turned on and off, with adjustable fan speed. - Attention! It is suggested not to block fans to ensure the proper airflow rate

 wireless light switch - which can be situated in any place

 exhaust fans are integrated with the ceiling lamp

HK06

