

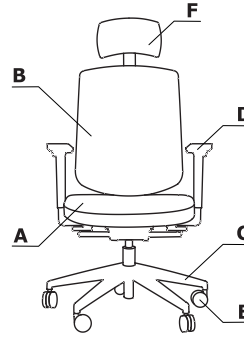
.mdd

Seating

v1.1 / 01.01.2023

Sava	2
Evo	7
Renya	11
Tanya	16
Gaya	20
Ulti	24
Ultra	28
Shila	34
New School	42
Afi	51
Team	54
Agora	60
Frame	71
Composition elements	72
Baltic	74
Baltic 2	83
Grace	89
Ismo	97
Fat Frank	100
Kaiva	104
Artiko	110
Stilt	122
Mesh	131
Shape	137
Pental	139
Bazalto	143
Mix	148
Hana pouf	151

Colour combination - Sava



Material	Colour	Chairs													
		A - Seat	B - Back	C - Base	D - Armrest	E - Castors	F - Headrest								
Fabric	Nemo	✓													
	Runner	II group ✓	✓				Black								
	Medley	II group ✓													
	**Atlantic	II group ✓													
	Vita	II group ✓													
	Mica	II group ✓													
	Go Check	II group ✓													
	****Charles	II group ✓													
	*Customer's own fabric	II group ✓													
	Synergy	III group ✓													
	***Silvertex	III group ✓													
	Tessa	III group ✓													
	Oceanic	III group ✓													
	Quest	III group ✓													
	Grain	III group ✓													
	Atlas	IV group ✓													

* Employing the customer's fabric requires running upholstery tests in order to check the possibility of realisation.

** There is a possibility of ordering the product in full colour spectrum of Atlantic range, as per Gabriel's pattern book, within 8 weeks

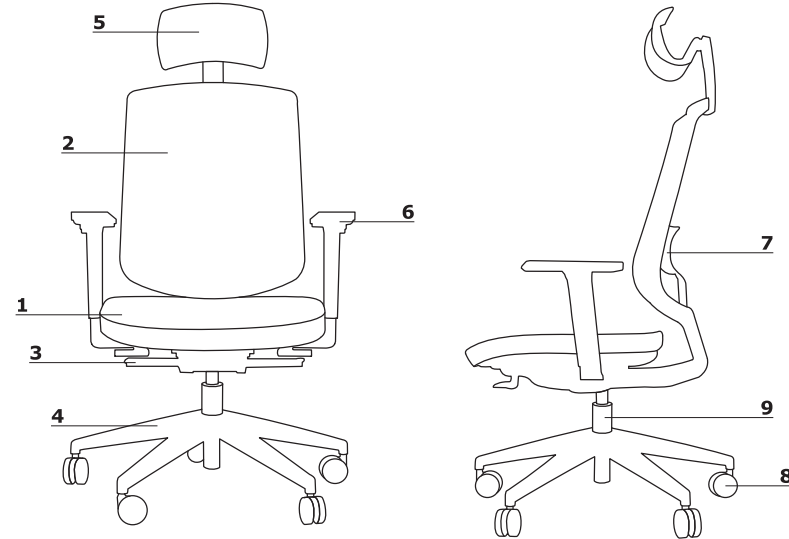
*** There is a possibility of ordering the product in full colour spectrum of Silvertex range, as per Spradling's pattern book, within 15 working days.

**** There is a possibility of ordering the product in full colour spectrum of Charles range, as per Dekoma pattern book, within the standard delivery time.

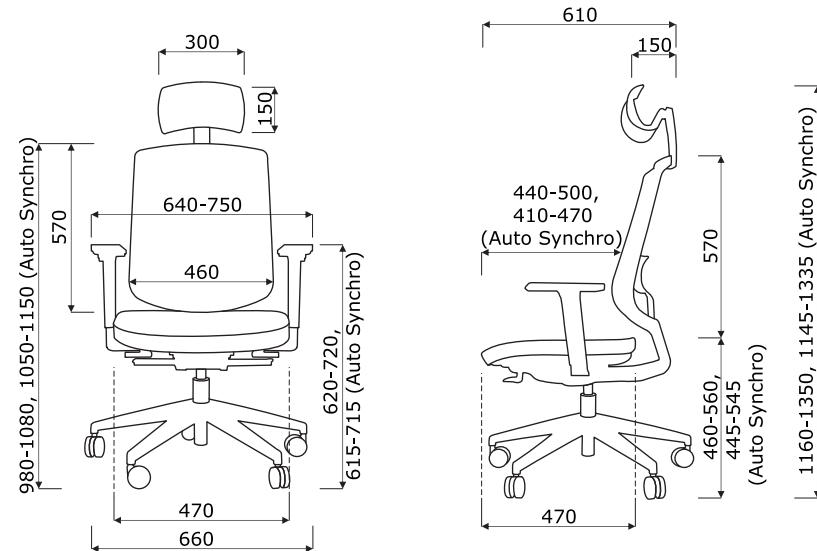
Material	Colour	Chairs													
		A - Seat	B - Back	C - Base	D - Armrest	E - Castors	F - Headrest								
Polypropylene	Black			✓	✓	✓									
	Polished aluminum			✓											

Technical specification

- 1 Seat** - moulded foam, density of 66 kg/m³, 55 mm thick; upholstered, sliding
- 2 Backrest** - mesh in Runner colours
- 3 Mechanism** - Auto Synchro; OPTION WITH EXTRA CHARGE - Synchro Pro
- 4 Base** - 5-star, polypropylene, Ø=680 mm, h=124 mm; OPTION WITH EXTRA CHARGE - 5-star, polished aluminium, Ø=680 mm, h=124 mm
- 5 OPTION WITH EXTRA CHARGE** - headrest - black mesh
- 6 OPTIONS WITH EXTRA CHARGE:**
 - armrest 2D - V3 - polyurethane, colour: black
 - armrest 3D - V3 - polyurethane, colour: black
- 7 OPTION WITH EXTRA CHARGE** - manual height adjustable (60 mm) lumbar support
- 8 Castors** - Ø65 mm, for soft floors PP+PA, colour: black; OPTION WITH EXTRA CHARGE - for hard floors PP+PA, colour: black
- 9 Actuator** - steal gas spring; adjustment range 100 mm; colour: chrome or black



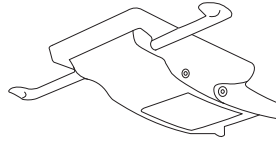
Dimensions (mm)



Mechanism

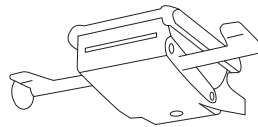
AUTO SYNCHRO

- synchronized automated regulation chair back press mechanism
- designed for usage 45 and 120kg
- allows the backrest to tilt from 0° to 18° and the seat to tilt from 0° to 4,5° at the same time
- it is possible to lock the backrest only in the 0° position
- seat depth adjustment range 100 mm, possibility to lock in 11 different positions



SYNCHRO PRO

- tilt angle of the backrest 25° and the seat 10°
- designed for usage 45 and 120kg
- additional seat and backrest tilt of 3°
- 3 blocking positions of the backrest
- Anti - shock system
- adjustment of lateral tension
- seat depth adjustment range 100 mm, possibility to lock in 11 different positions



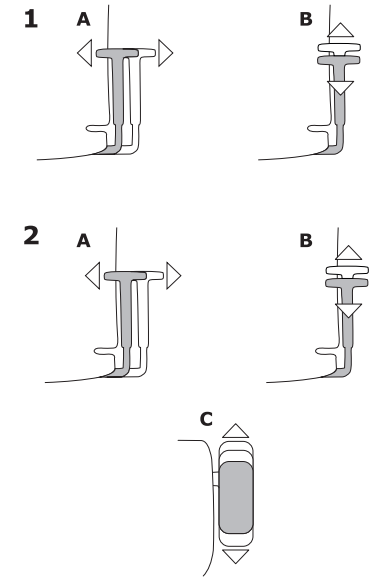
Armrests

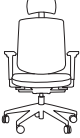
1 Adjustable armrest - 2D-V3

- width adjustment (A)
- height adjustment (B)

2 Adjustable armrest - 3D-V3

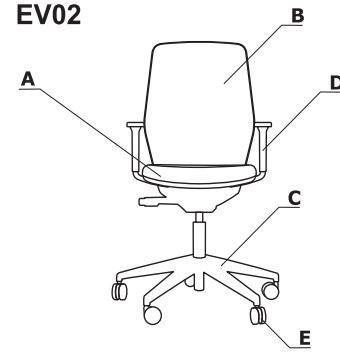
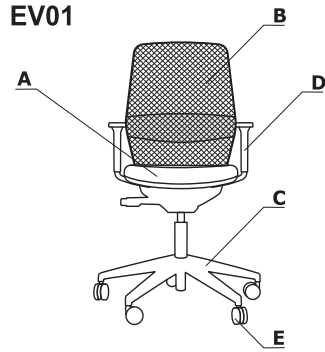
- width adjustment (A)
- height adjustment (B)
- depth adjustment (width adjustment inwards) (C)



Chairs							
	Symbol	Price EUR	Dimensions			kg m3 pcs	Comments
			Width	Depth	Height		
	SAVA	400,-	650	650	1200	20 kg 0.236 m3 1 pcs	

Extra charge									
II Price group	III Price group	IV price group	Synchro Pro Mechanism	Base - polished aluminium	Headrest	Armrests - 2D - V3	Armrests - 3D - V3	Lumbar support	Castors for hard floors
14,-	31,-	42,-	26,-	40,-	50,-	64,-	82,-	32,-	8,-

Colour combination - Evo



Material	Colour	Evo																	
		A - Seat	B - Back - EV01	B - Back - EV02	C - Base	D - Armrest	E - Castors												
Fabric	Nemo	✓		✓															
	Runner	II group ✓		II group ✓															
	Medley	II group ✓		II group ✓															
	**Atlantic	II group ✓		II group ✓															
	Vita	II group ✓		II group ✓															
	***Charles	II group ✓		II group ✓															
	Go Check	II group ✓		II group ✓															
	Mica	II group ✓		II group ✓															
	*Customer's own fabric	II group ✓		II group ✓															
	Synergy	III group ✓		III group ✓															
	***Silvertex	III group ✓		III group ✓															
	Tessa	III group ✓		III group ✓															
	Oceanic	III group ✓		III group ✓															
	Quest	III group ✓		III group ✓															
	Grain	III group ✓		III group ✓															
	Atlas	IV group ✓		IV group ✓															

* Employing the customer's fabric requires running upholstery tests in order to check the possibility of realisation.

** There is a possibility of ordering the product in full colour spectrum of Atlantic range, as per Gabriel's pattern book, within 8 weeks

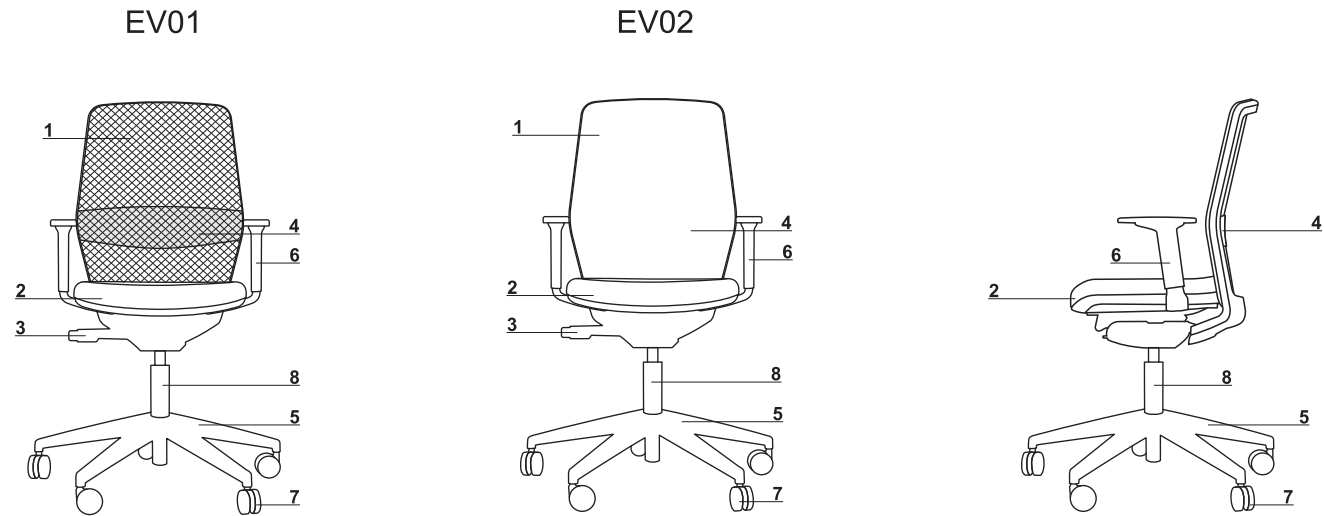
*** There is a possibility of ordering the product in full colour spectrum of Silvertex range, as per Spradling's pattern book, within 15 working days.

**** There is a possibility of ordering the product in full colour spectrum of Charles range, as per Dekoma pattern book, within the standard delivery time.

Material	Colour	Evo													
		A - Seat	B - Back - EV01	B - Back - EV02	C - Base	D - Armrest	E - Castors								
Mesh + Polyurethane	Black (mesh: dark grey RAL 7015)		✓												
	Grey (mesh: light grey RAL 7035)		✓												
Polypropylene	Black				✓	✓	✓								
	Grey				✓	✓									
	Polished aluminum				✓										

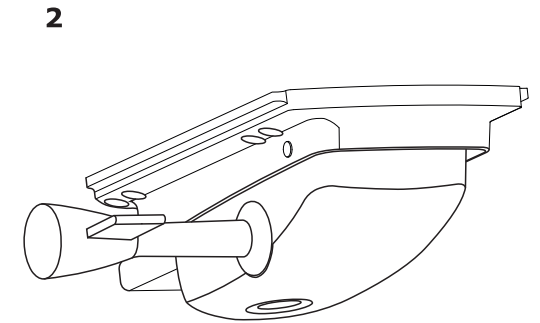
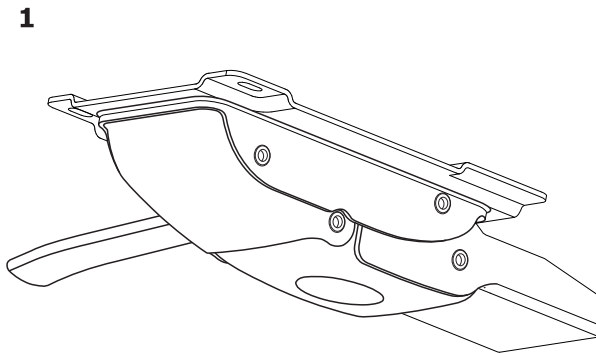
Technical specification

- 1 Backrest** - mesh or upholstery
- 2 Seat** - upholstered, sliding - 60 mm range
- 3 Mechanism** - Self; OPTION WITH EXTRA CHARGE - Synchro
- 4 Lumbar support** - manual height adjustable (60 mm)
- 5 Base** - 5-star, polypropylene, $\varnothing=680$ mm, $h=124$ mm; OPTION WITH EXTRA CHARGE - 5-star, polished aluminium, $\varnothing=680$ mm, $h=124$ mm
- 6 OPTION WITH EXTRA CHARGE** - Armrest 2D - soft TPU armrest tops, colour: black; height adjustment 60 mm; - horizontal adjustment 50 mm
- 7 Castors** - $\varnothing 65$ mm, for soft floors PP+PA, colour: black; OPTION WITH EXTRA CHARGE - for hard floors PP+PA, colour: black
- 8 Actuator** - steal gas spring; adjustment range 100 mm; colour: chrome or black

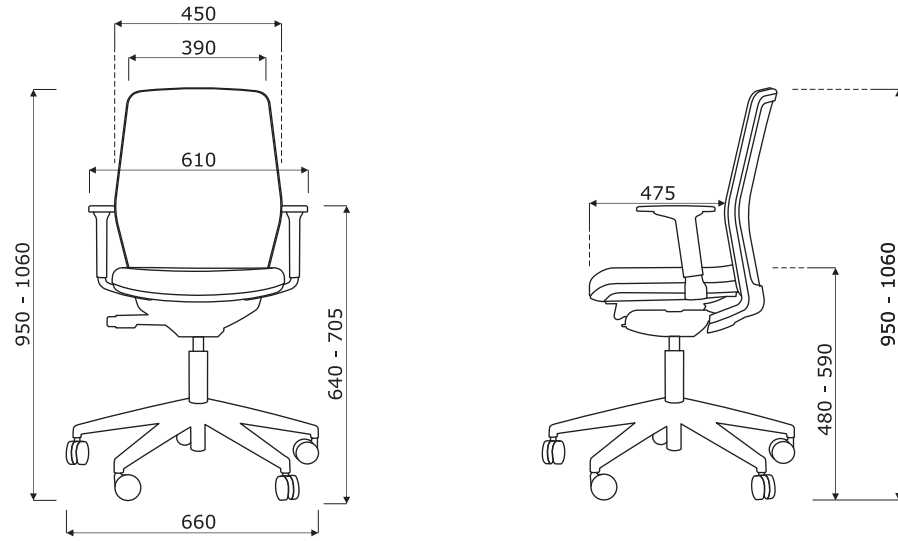




Mechanism

- 1 Self weighting synchro**
 - 4 locking positions
 - antishock (protects the user from being hit in the back with the backrest)
 - self - weighting mechanism (adjusts the backrest and seat tilting according to the user's weight - no manual adjustment of the tilting spring required)
- 2 OPTION WITH EXTRA CHARGE - Synchro**
 - 5 locking position
 - antishock (protects the user from being hit in the back with the backrest)
 - synchronized adjustment of seat and backrest; lateral lever for the manual adjustment of the backrest tilt tension according to the user's weight.



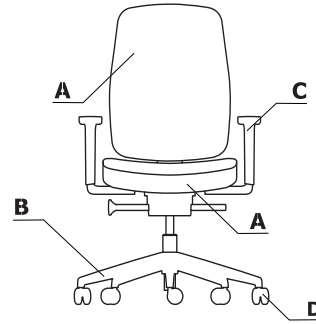
Dimensions (mm)



Chairs							
	Symbol	Price EUR	Dimensions			kg m3 pcs	Comments
			Width	Depth	Height		
	EV01	320,-	610	660	1060	18.5 kg 0.236 m3 1 pcs	
	EV02	352,-	610	660	1060	18.7 kg 0.236 m3 1 pcs	

Extra charge							
II Price group	III Price group	IV price group	Base - polished aluminium	Castors for hard floors	Synchro Mechanism	Armrests	
12,-	25,-	33,-	40,-	8,-	24,-	46,-	
21,-	46,-	66,-	40,-	8,-	24,-	46,-	

Colour combination - Renya



Material	Colour	Chairs															
		A - Seat, back	B - Base	C - Armrest	D - Castors												
Fabric	Nemo	✓															
	Runner	II group ✓															
	Medley	II group ✓															
	**Atlantic	II group ✓															
	Vita	II group ✓															
	***Charles	II group ✓															
	Go Check	II group ✓															
	Mica	II group ✓															
	*Customer's own fabric	II group ✓															
	Synergy	III group ✓															
	***Silvertex	III group ✓															
	Tessa	III group ✓															
	Oceanic	III group ✓															
	Quest	III group ✓															
	Grain	III group ✓															
	Atlas	IV group ✓															

* Employing the customer's fabric requires running upholstery tests in order to check the possibility of realisation.

** There is a possibility of ordering the product in full colour spectrum of Atlantic range, as per Gabriel's pattern book, within 8 weeks

*** There is a possibility of ordering the product in full colour spectrum of Silvertex range, as per Spradling's pattern book, within 15 working days.

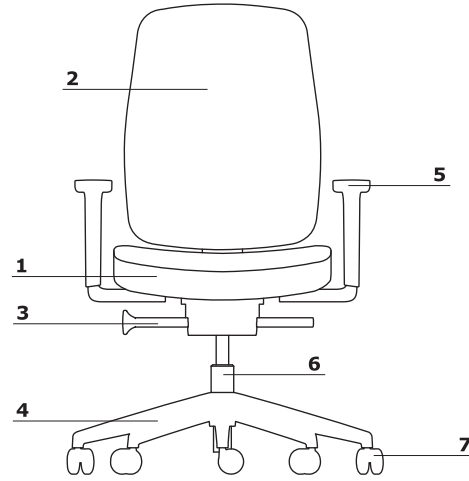
**** There is a possibility of ordering the product in full colour spectrum of Charles range, as per Dekoma pattern book, within the standard delivery time.

Material	Colour	Chairs													
		A - Seat, back	B - Base	C - Armrest	D - Castors										
Polypropylene	Black		✓	✓	✓										
	Polished aluminum		✓*												

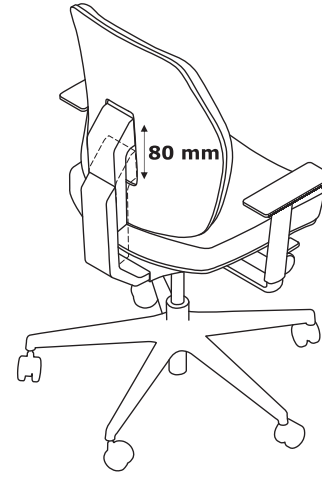
*Option with extra charge

Technical specification

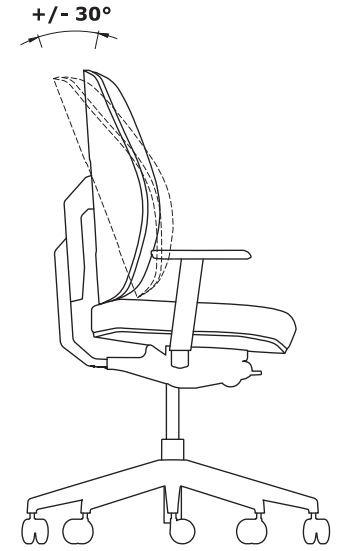
- 1 Seat** - upholstered
- 2 Full backrest** - material + fabric, filled with polyurethane foam
 - A. height adjustment of the support (rocking) axis - 80 mm
 - B. backrest movement range +/- 30 °
- 3 Mechanism** - Auto Synchro; OPTION WITH EXTRA CHARGE - Synchro Pro
- 4 Base** - 5-star, polypropylene, Ø=680 mm, h=124 mm; OPTION WITH EXTRA CHARGE - 5-star, polished aluminium, Ø=680 mm, h=124 mm
- 5 OPTIONS WITH EXTRA CHARGE:**
 - armrest 2D - V3 - polyurethane, colour: black
 - armrest 3D - V3 - polyurethane, colour: black
- 6 Castors** - Ø65 mm, for soft floors PP+PA, colour: black; OPTION WITH EXTRA CHARGE - for hard floors PP+PA, colour: black
- 7 Actuator** - steal gas spring; adjustment range 100 mm; colour: chrome or black



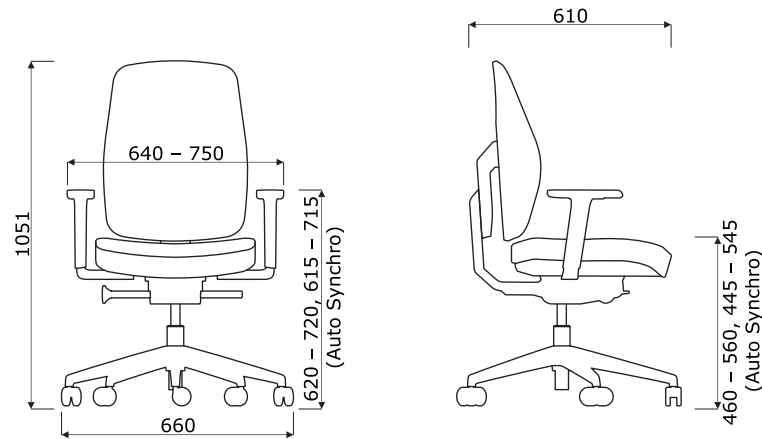
A.



B.



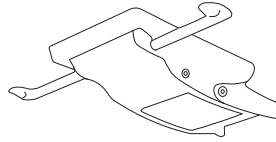
Dimensions (mm)



Mechanism

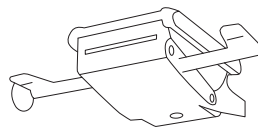
AUTO SYNCHRO

- synchronized automated regulation chair back press mechanism
- designed for usage 45 and 120kg
- allows the backrest to tilt from 0° to 18° and the seat to tilt from 0° to 4,5° at the same time
- it is possible to lock the backrest only in the 0° position
- seat depth adjustment range 100 mm, possibility to lock in 11 different positions



SYNCHRO PRO

- tilt angle of the backrest 25° and the seat 10°
- designed for usage 45 and 120kg
- additional seat and backrest tilt of 3°
- 3 blocking positions of the backrest
- Anti - shock system
- adjustment of lateral tension
- seat depth adjustment range 100 mm, possibility to lock in 11 different positions



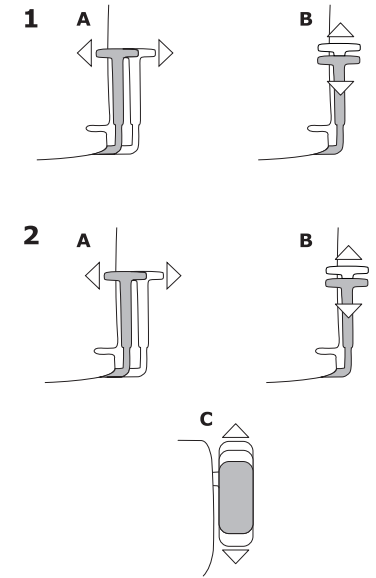
Armrests


1 Adjustable armrest - 2D-V3

- width adjustment (A)
- height adjustment (B)

2 Adjustable armrest - 3D-V3

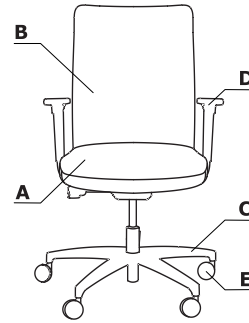
- width adjustment (A)
- height adjustment (B)
- depth adjustment (width adjustment inwards) (C)



Chairs							
	Symbol	Price EUR	Dimensions			kg m3 pcs	Comments
			Width	Depth	Height		
	RENYA	422,-	706	706	1051	22.5 kg 0.236 m3 1 pcs	

Extra charge							
II Price group	III Price group	IV price group	Synchro Pro Mechanism	Base - polished aluminium	Armrests - 2D - V3	Armrests - 3D - V3	Castors for hard floors
29,-	66,-	92,-	26,-	40,-	64,-	82,-	8,-

Colour combination - Tanya



Material	Colour	Chairs																
		A - Seat	B - Back	C - Base	D - Armrest	E - Castors												
Fabric	Nemo	✓																
	Runner	II group ✓																
	Medley	II group ✓																
	**Atlantic	II group ✓																
	Vita	II group ✓																
	***Charles	II group ✓																
	Go Check	II group ✓																
	Mica	II group ✓																
	*Customer's own fabric	II group ✓																
	Synergy	III group ✓																
	***Silvertex	III group ✓																
	Tessa	III group ✓																
	Oceanic	III group ✓																
	Quest	III group ✓																
	Grain	III group ✓																
	Atlas	IV group ✓																

* Employing the customer's fabric requires running upholstery tests in order to check the possibility of realisation.

** There is a possibility of ordering the product in full colour spectrum of Atlantic range, as per Gabriel's pattern book, within 8 weeks

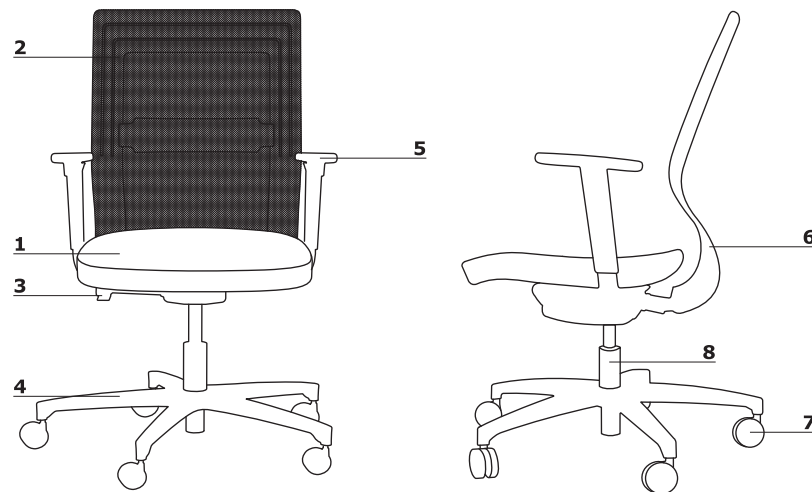
*** There is a possibility of ordering the product in full colour spectrum of Silvertex range, as per Spradling's pattern book, within 15 working days.

**** There is a possibility of ordering the product in full colour spectrum of Charles range, as per Dekoma pattern book, within the standard delivery time.

Material	Colour	Chairs														
		A - Seat	B - Back	C - Base	D - Armrest	E - Castors										
	String - black		✓													
	Black			✓	✓	✓										

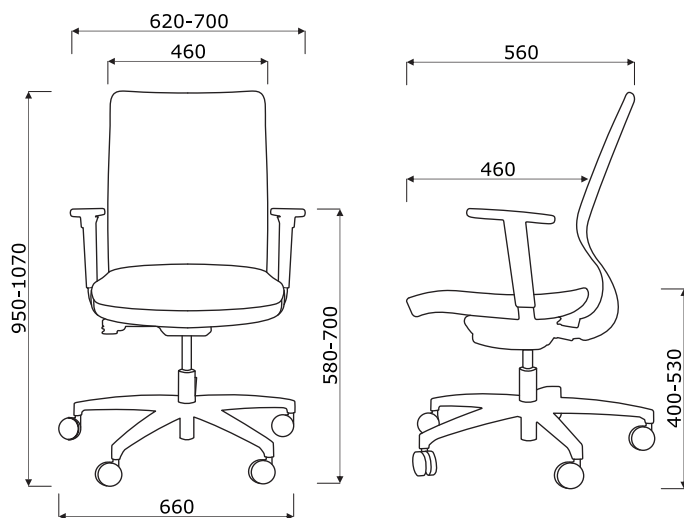
Technical specification

- 1 **Seat** - upholstered
- 2 **Backrest** - mesh - fabric String, colour: black
- 3 **Mechanism** - Auro Synchro
- 4 **Base** - 5-star, polypropylene, $\varnothing=680$ mm, h= 80 mm
- 5 **OPTION WITH EXTRA CHARGE** - armrest 2D, polyurethane, colour: black
- 6 **Lumbar support** - manual height adjustable (60 mm)
- 7 **Castors** - $\varnothing 65$ mm, for soft floors PP+PA, colour: black; **OPTION WITH EXTRA CHARGE** - for hard floors PP+PA, colour: black
- 8 **Actuator** - steal gas spring, adjustment range 130 mm, colour: black



- max. load 120 kg

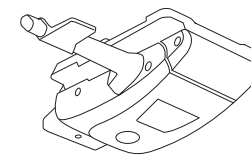
Dimensions (mm)



Mechanism

AUTO SYNCHRO


- synchronized automated regulation chair back press mechanism
- designed for usage 45 and 120kg
- allows the backrest to tilt from 0° to 20° and the seat to tilt from 0° to 6° at the same time
- possibility to lock the backrest in 5 positions



Armrests

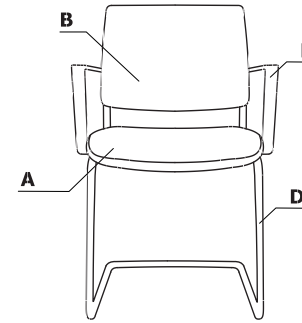
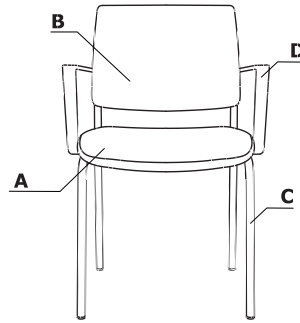
1 Armrest 2D

- width adjustment (A)
- height adjustment (B)
- material PP+TPE

Chairs							
	Symbol	Price EUR	Dimensions			kg m3 pcs	Comments
			Width	Depth	Height		
	TANYA	304,-	650	650	1200	16.7 kg 0.236 m3 1 pcs	

Extra charge						
II Price group	III Price group	IV price group	Castors for hard floors	Armrests		
15,-	31,-	44,-	8,-	54,-		

Colour combination - Gaya



Material	Colour	GAYA																
		A - Seat - upholstery	B - Back	C - Base - 4 legs	D - Base - cantilever	E - Armrest												
Fabric	Nemo	✓																
	Runner	II group ✓	✓															
	Medley	II group ✓																
	**Atlantic	II group ✓																
	Vita	II group ✓																
	***Charles	II group ✓																
	Go Check	II group ✓																
	Mica	II group ✓																
	*Customer's own fabric	II group ✓																
	Synergy	III group ✓																
	***Silvertex	III group ✓																
	Tessa	III group ✓																
	Oceanic	III group ✓																
	Quest	III group ✓																
	Grain	III group ✓																
	Atlas	IV group ✓																

* Employing the customer's fabric requires running upholstery tests in order to check the possibility of realisation.

** There is a possibility of ordering the product in full colour spectrum of Atlantic range, as per Gabriel's pattern book, within 8 weeks

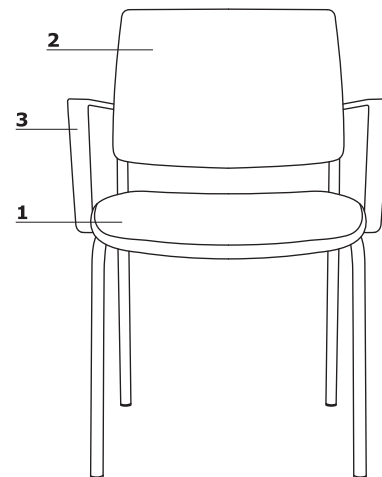
*** There is a possibility of ordering the product in full colour spectrum of Silvertex range, as per Spradling's pattern book, within 15 working days.

**** There is a possibility of ordering the product in full colour spectrum of Charles range, as per Dekoma pattern book, within the standard delivery time.

Material	Colour	GAYA														
		A - Seat - upholstery	B - Back	C - Base - 4 legs	D - Base - cantilever	E - Armrest										
Metal	M115 - black semi-matt RAL 9005			✓												
	17 - chrom			✓	✓											

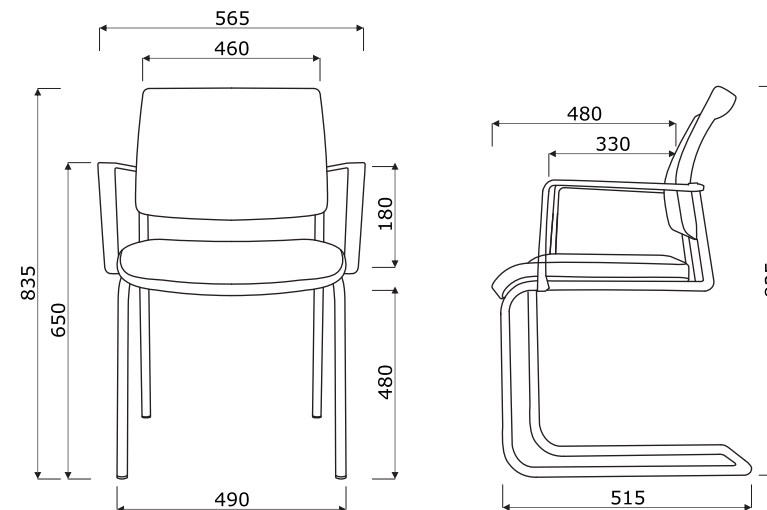
Technical specification

- 1 **Seat** - upholstered
- 2 **Backrest** - mesh in Runner colours
- 3 **OPTION WITH EXTRA CHARGE** - armrest, polyurethane, colour: black



- max. load 120 kg

Dimensions (mm)



Bases

1 Base GY4N:

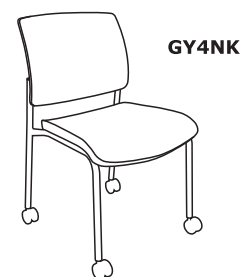
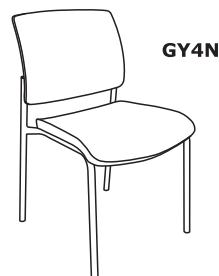
- 4 - legged, metal, colour: black semi-matt, powder coated
- **stacked** - max. 4 pieces
- **OPTION WITH EXTRA CHARGE** - 4-legged, metal, chrome




2 Base GY4NK:

- 4 - legged, metal, colour: black semi-matt, powder coated
- **OPTION WITH EXTRA CHARGE** - 4-legged, metal, chrome
- Castors - for soft floors, colour: black; **OPTION WITH EXTRA CHARGE** - for hard floors, colour: black

3 Base GYC1:

- cantilever, metal, chrome, with glides



Chairs							
	Symbol	Price EUR	Dimensions			kg m3 pcs	Comments
			Width	Depth	Height		
	GY4N	260,-	580	570	830	11 kg 0.281 m3 1 pcs	
	GY4NK	294,-	580	610	830	11 kg 0.281 m3 1 pcs	
	GYC1	290,-	580	570	830	11.1 kg 0.281 m3 1 pcs	

Extra charge							
II Price group	III Price group	IV price group	Chrome	Castors for hard floors	Armrests		
13,-	27,-	38,-	34,-		27,-		
13,-	27,-	38,-	34,-	8,-	27,-		
13,-	27,-	38,-			27,-		

Colour combination - Ulti



Material	Colour	ULTI															
		A - Seat	B - Base - metal leg	C - Castors	D - Base - wooden leg												
Fabric	Medley	✓															
	**Atlantic	✓															
	Vita	✓															
	****Charles	✓															
	Go Check	✓															
	Mica	✓															
	Synergy	III group ✓															
	***Silvertex	III group ✓															
	Tessa	III group ✓															
	Oceanic	III group ✓															
	Quest	III group ✓															
	Grain	III group ✓															
	*Customer's own fabric	III group ✓															
	Atlas	IV group ✓															
	Leather	IV group ✓															

* Employing the customer's fabric requires running upholstery tests in order to check the possibility of realisation.

*** There is a possibility of ordering the product in full colour spectrum of Silvertex range, as per Spradling's pattern book, within 15 working days.

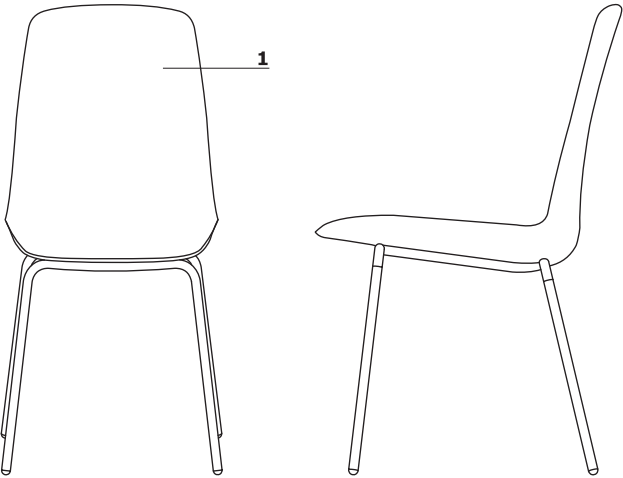
** There is a possibility of ordering the product in full colour spectrum of Atlantic range, as per Gabriel's pattern book, within 8 weeks

**** There is a possibility of ordering the product in full colour spectrum of Charles range, as per Dekoma pattern book, within the standard delivery time.

Material	Colour	ULTI															
		A - Seat	B - Base - metal leg	C - Castors	D - Base - wooden leg												
Wood	Beech				✓												
	Black				✓												
	Black			✓													
Metal	M010 - light grey semi-matt RAL 7044		✓														
	M011 - dark grey semi-matt RAL 7042		✓														
	M012 - dark green semi-matt RAL 6012		✓														
	M013 - burgundy semi-matt RAL 3007		✓														
	M014 - red semi-matt RAL 3016		✓														
	M016 - pearl white semi-matt RAL 1013		✓														
	M026 - olive semi-matte RAL 6013		✓														
	M027 - blue semi-matte RAL5003		✓														
	M028 - brick red semi-matte RAL 0404040		✓														
	M029 - yellow semi-matte RAL 0807060		✓														
	M030 - beige semi-matte RAL 0608005		✓														
	M115 - black semi-matt RAL 9005		✓														
	M154 - anthracite semi-matt RAL 7043		✓														

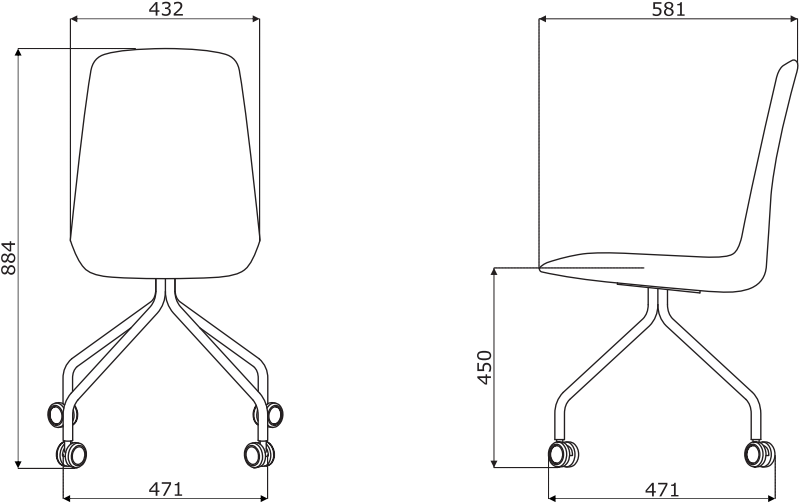
Technical specification

1 Seat - metal frame filled with foam, density of 55 kg/m³, upholstered









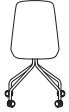
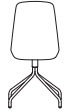

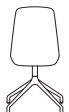
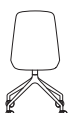
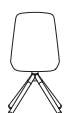
- max. load 120 kg

Dimensions (mm)



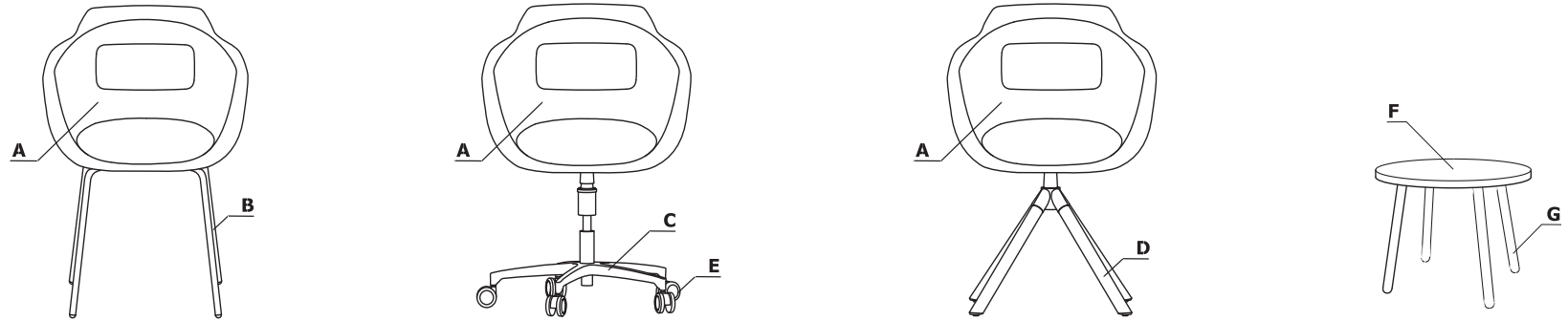
Bases

<p>1 Base UKP18K:</p> <ul style="list-style-type: none"> • 4 - star, metal, powder coated • fixed seat • legs made of tube Ø22 mm, wall thickness 2 mm, CNC - bent • castors for soft floors • OPTION WITH EXTRA CHARGE - castors for hard floors 	<p>2 Base UKP17:</p> <ul style="list-style-type: none"> • 4 - star, metal, powder coated • swivel seat - 360° • legs made of tube Ø22 mm, wall thickness 2 mm, CNC - bent • legs finished with polypropylene feet 	<p>3 Base UKP16:</p> <ul style="list-style-type: none"> • 4 - legged, metal, powder coated • legs made of tube Ø18 mm, wall thickness 2 mm, CNC - bent • legs finished with polypropylene feet 	<p>4 Base UKP19:</p> <ul style="list-style-type: none"> • 4 - star, aluminum, powder coated • swivel seat - 360° • aluminium cast • legs finished with polypropylene feet 	<p>5 Base UKP19K:</p> <ul style="list-style-type: none"> • 4 - star, aluminum, powder coated • swivel seat - 360° • aluminium cast • castors for soft floors • OPTION WITH EXTRA CHARGE - castors for hard floors 	<p>6 Base UKP9:</p> <ul style="list-style-type: none"> • 4 - star, wooden, Ø35 mm • beechwood coated with transparent varnish • swivel seat - 360° • metal legs - connecting elements, colour: black semi-matt
 <p>UKP18K</p>	 <p>UKP17</p>	 <p>UKP16</p>	 <p>UKP19</p>	 <p>UKP19K</p>	 <p>UKP9</p>

Chairs							
	Symbol	Price EUR	Dimensions			kg m3 pcs	Comments
			Width	Depth	Height		
	UKP18K	326,-	471	570	884	25 kg 0.26 m3 1 pcs	
	UKP17	366,-	471	570	888	25 kg 0.263 m3 1 pcs	
	UKP16	352,-	452	550	892	24 kg 0.255 m3 1 pcs	
	UKP19	468,-	475	580	860	12 kg 0.281 m3 1 pcs	
	UKP19K	468,-	475	580	860	12.2 kg 0.281 m3 1 pcs	
	UKP9	372,-	475	580	860	11.6 kg 0.281 m3 1 pcs	

Extra charge						
III Price group	IV price group	Castors for hard floors				
34,-	62,-	8,-				
34,-	62,-					
34,-	62,-					
34,-	62,-					
34,-	62,-	8,-				
34,-	62,-					

Colour combination - Ultra



Material	Colour	Ultra					Tables								
		A - Seat	B - Base - UFP18K, UFP17, UFP16, UFP4, UFP4K, UFP5	C - Base - UFP11, UFP11K	D - Base - UFP9, UFP15	E - Castors	F - Top	G - Base							
Fabric	Medley	✓													
	**Atlantic	✓													
	Vita	✓													
	****Charles	✓													
	Go Check	✓													
	Mica	✓													
	Synergy	III group ✓													
	***Silvertex	III group ✓													
	Tessa	III group ✓													
	Oceanic	III group ✓													
	Quest	III group ✓													
	Grain	III group ✓													
	*Customer's own fabric	III group ✓													
	Atlas	IV group ✓													
	Leather	IV group ✓													

* Employing the customer's fabric requires running upholstery tests in order to check the possibility of realisation.

*** There is a possibility of ordering the product in full colour spectrum of Silvertex range, as per Spradling's pattern book, within 15 working days.

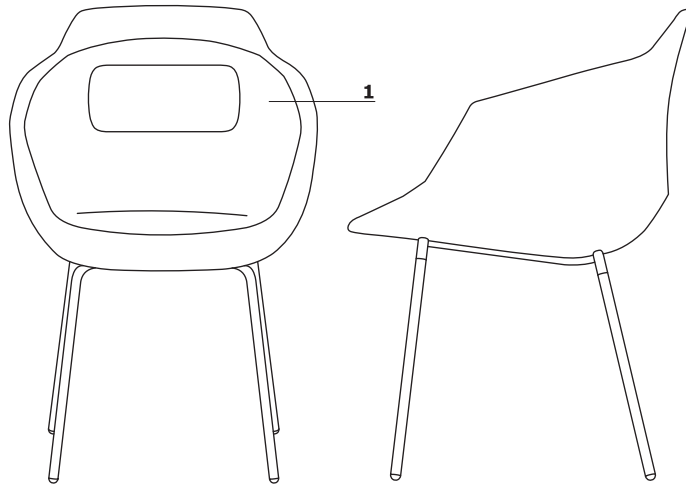
** There is a possibility of ordering the product in full colour spectrum of Atlantic range, as per Gabriel's pattern book, within 8 weeks

**** There is a possibility of ordering the product in full colour spectrum of Charles range, as per Dekoma pattern book, within the standard delivery time.

Material	Colour	Ultra					Tables									
		A - Seat	B - Base - UFP18K, UFP17, UFP16, UFP4, UFP4K, UFP5	C - Base - UFP11, UFP11K	D - Base - UFP9, UFP15	E - Castors	F - Top	G - Base								
Wood	Beech				✓			✓								
	Black				✓			✓								
	Black			✓		✓										
Metal	M010 - light grey semi-matt RAL 7044		✓													
	M011 - dark grey semi-matt RAL 7042		✓													
	M012 - dark green semi-matt RAL 6012		✓													
	M013 - burgundy semi-matt RAL 3007		✓													
	M014 - red semi-matt RAL 3016		✓													
	M016 - pearl white semi-matt RAL 1013		✓													
	M026 - olive semi-matte RAL 6013		✓													
	M027 - blue semi-matte RAL5003		✓													
	M028 - brick red semi-matte RAL 0404040		✓													
	M029 - yellow semi-matte RAL 0807060		✓													
	M030 - beige semi-matte RAL 0608005		✓													
	M115 - black semi-matt RAL 9005		✓													
	M154 - anthracite semi-matt RAL 7043		✓													
MFC	26 - aluminum satinato							✓								
	31 - canadian oak							✓								
	39 - polar birch							✓								
	64 - cocoa							✓								
	67 - white pastel							✓								
	106 - lowland walnut							✓								
	154 - anthracite							✓								
	08 - black							✓								
	167 - grey oak							✓								
	168 - natural oak							✓								
	169 - honey oak							✓								
	170 - acacia							✓								

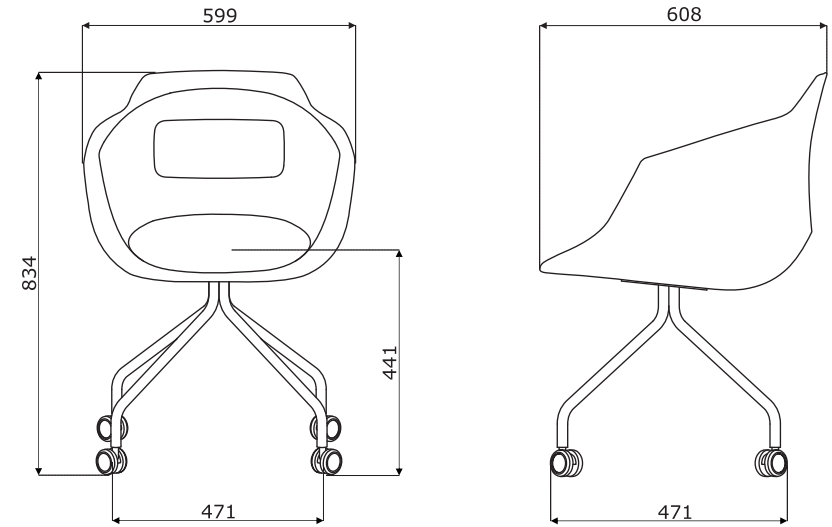
Technical specification

- 1 Seat** - plastic frame filled with foam, density of 55 kg/m³, upholstered



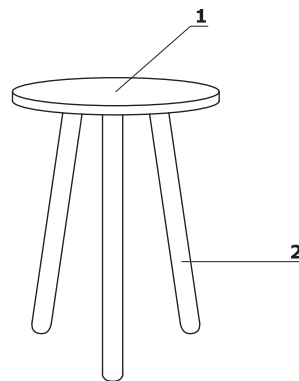
- max. load 120 kg

Dimensions (mm)

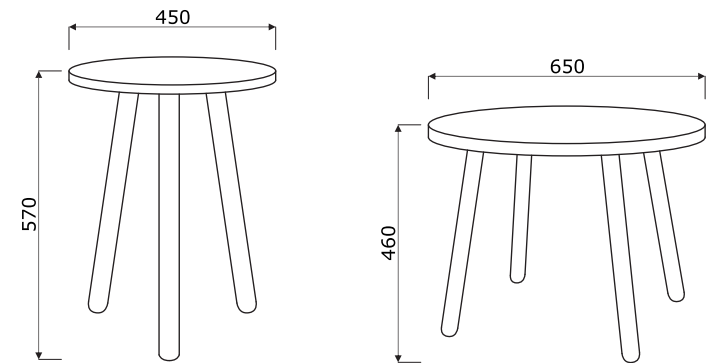


Tables

- 1 Top** - MFC 18 mm, black, ABS edges 2 mm
2 Legs - Ø45 mm (UTR45) and Ø40 mm (UTR65), natural wood



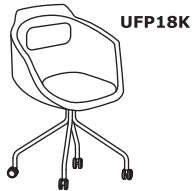
Dimensions (mm)



Bases

1 Base UFP18K:

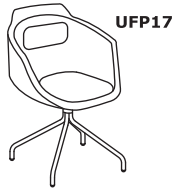
- 4 - star, metal, powder coated
- fixed seat
- legs made of tube Ø22 mm, wall thickness 2 mm, CNC - bent
- castors for soft floors
- OPTION WITH EXTRA CHARGE - castors for hard floors



UFP18K

2 Base UFP17:

- 4 - star, metal, powder coated
- swivel seat - 360°
- legs made of tube Ø22 mm, wall thickness 2 mm, CNC - bent
- legs finished with polypropylene feet



UFP17

3 Base UFP16:

- 4 - legged, metal, powder coated
- legs made of tube Ø18 mm, wall thickness 2 mm, CNC - bent
- legs finished with polypropylene feet



UFP16

4 Base UFP11:

- base 5 - star, polypropylene, Ø=680 mm, h=124 mm
- polypropylene feet Ø50 mm, h 32
- gas spring, steel, colour: black, adjustment range 130 mm (400 - 530 mm)
- swivel seat - 360°



UFP11

5 Base UFP11K:

- base 5 - star, polypropylene, Ø=680 mm, h=124 mm
- castors for soft floors Ø 55 mm
- gas spring, steel, colour: black, adjustment range 130 mm (400 - 530 mm)
- OPTION WITH EXTRA CHARGE - castors for hard floors
- swivel seat - 360°



UFP11K

6 Base UFP19:

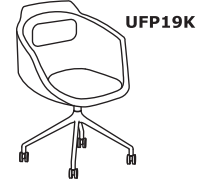
- 4 - star, aluminum, powder coated
- swivel seat - 360°
- aluminium cast
- legs finished with polypropylene feet



UFP19

7 Base UFP19K:

- 4 - star, aluminum, powder coated
- swivel seat - 360°
- aluminium cast
- castors for soft floors
- OPTION WITH EXTRA CHARGE - castors for hard floors



UFP19K

1 Base UFP9:

- 4 - star, wooden, Ø35 mm
- beechwood coated with transparent varnish
- swivel seat - 360°
- metal legs - connecting elements, colour: black semi-matt



UFP9

2 Base UFP5:

- cantilever, metal, powder coated
- Ø12 mm wired legs, CNC - bent
- polypropylene feet











UFP5

3 Base UFP15:




- 4 wooden legs, Ø35 mm
- beechwood coated with transparent varnish



UFP15

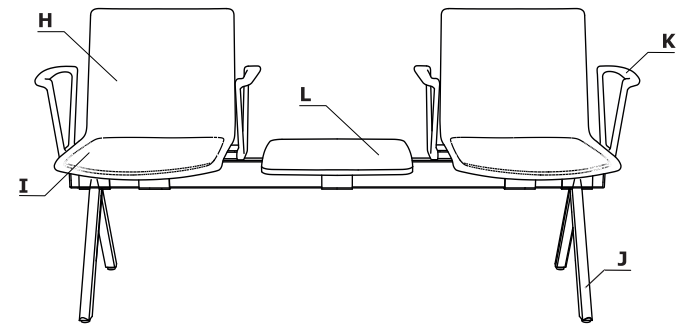
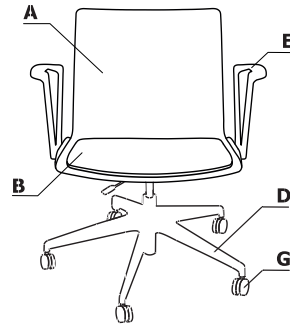
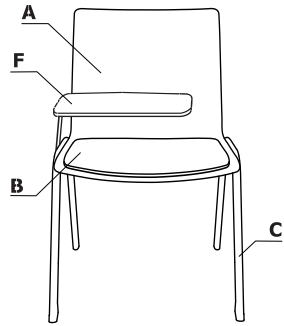
Ultra							
	Symbol	Price EUR	Dimensions			kg m3 pcs	Comments
			Width	Depth	Height		
	UFP18K	356,-	600	600	840	25 kg 0.331 m3 1 pcs	
	UFP17	394,-	600	600	835	25 kg 0.331 m3 1 pcs	
	UFP16	376,-	600	600	835	23.5 kg 0.331 m3 1 pcs	
	UFP11	388,-	600	600	850	15.1 kg 0.43 m3 1 pcs	
	UFP11K	388,-	600	600	850	16.1 kg 0.43 m3 1 pcs	
	UFP19	490,-	600	600	850	14.3 kg 0.43 m3 1 pcs	
	UFP19K	490,-	620	620	850	15.1 kg 0.43 m3 1 pcs	
	UFP5	376,-	620	620	850	14.6 kg 0.43 m3 1 pcs	

Extra charge							
III Price group	IV price group	Castors for hard floors					
52,-	92,-	8,-					
52,-	92,-						
52,-	92,-						
52,-	92,-						
52,-	92,-	8,-					
52,-	92,-						
52,-	92,-	8,-					
52,-	92,-						

Ultra							
	Symbol	Price EUR	Dimensions			kg m3 pcs	Comments
			Width	Depth	Height		
	UFP9	394,-	600	600	850	14.3 kg 0.43 m3 1 pcs	
	UFP15	484,-	604	606	849	37.62 kg 0.334 m3 1 pcs	
Tables							
	UTR45	122,-	450	450	570	6.5 kg 0.011 m3 2 pcs	wooden legs, beech, Ø45mm
	UTR65	160,-	650	650	460	8.85 kg 0.016 m3 2 pcs	wooden legs, beech, Ø40mm

Extra charge							
III Price group	IV price group						
52,-	92,-						
52,-	92,-						

Colour combination - Shila



Material	Colour	SHILAP							SHILAB						
		A - Seat - polypropylene	B - Upholstery seat pad	C - Base - SHS01, SHS01K, SHS07, SHS07K	D - Base - SHS10, SHS10K	E - Armrest	F - Writing tablet	G - Castors	H - Seat - polypropylene	I - Upholstery seat pad	J - Base	K - Armrest	L - Top		
Fabric	Nemo		✓							✓					
	Medley		II group							II group					
	**Atlantic		II group							II group					
	Vita		II group							II group					
	***Charles		II group							II group					
	Go Check		II group							II group					
	Mica		II group							II group					
	*Customer's own fabric		II group							II group					
	Synergy		III group							III group					
	***Silvertex		III group							III group					
	Tessa		III group							III group					
	Oceanic		III group							III group					
	Quest		III group							III group					
	Grain		III group							III group					
	Atlas		IV group							IV group					

* Employing the customer's fabric requires running upholstery tests in order to check the possibility of realisation.

*** There is a possibility of ordering the product in full colour spectrum of Silvertex range, as per Spradling's pattern book, within 15 working days.

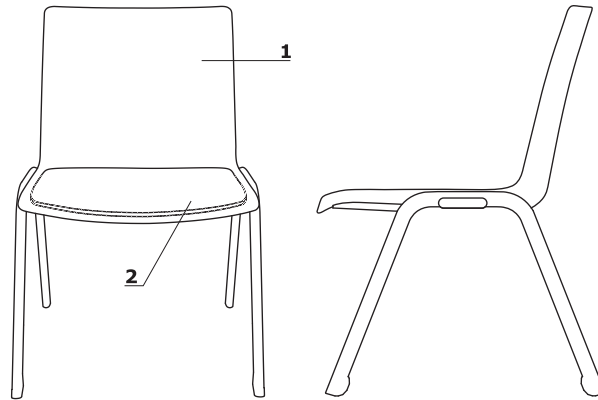
** There is a possibility of ordering the product in full colour spectrum of Atlantic range, as per Gabriel's pattern book, within 8 weeks

**** There is a possibility of ordering the product in full colour spectrum of Charles range, as per Dekoma pattern book, within the standard delivery time.

Material	Colour	SHILAP						SHILAB						
		A - Seat	B - Upholstery seat pad	C - Base - SHS01, SHS01K, SHS07, SHS07K	D - Base - SHS10, SHS10K	E - Armrest	F - Writing tablet	G - Castors	H - Seat - polypropylene	I - Upholstery seat pad	J - Base	K - Armrest	L - Top	
Metal	M016 - pearl white semi-matt RAL 1013			✓						✓				
	M010 - light grey semi-matt RAL 7044			✓						✓				
	M011 - dark grey semi-matt RAL 7042			✓						✓				
	M012 - dark green semi-matt RAL 6012			✓						✓				
	M013 - burgundy semi-matt RAL 3007			✓						✓				
	M014 - red semi-matt RAL 3016			✓						✓				
	M115 - black semi-matt RAL 9005			✓	✓					✓				
Polypropylene	Light grey RAL7044	✓						✓						
	Dark grey RAL7042	✓						✓						
	Dark green RAL6012	✓						✓						
	Burgundy RAL 3007	✓						✓						
	Red RAL3016	✓						✓						
	Pearl white RAL1013	✓						✓						
	Black RAL 9005	✓						✓						
	Black					✓	✓	✓				✓	✓	

Technical specification

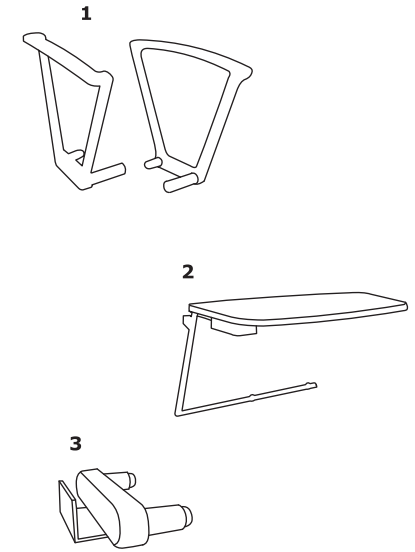
- 1 Seat** - polypropylene
- 2 OPTION WITH EXTRA CHARGE** - seat pad of cut foam, density of 30 kg/m³, upholstered



- max. load 120 kg

Optional components

- 1 Armrests** - polyamide (PA+30GF), colour: black
- 2 Writing tablet** - plywood varnished, colour: M115 - black semi-matt
- 3 Connecting element** - allow for setting chair in a row, polypropylene (PP+15GF), metal, colour: black; only with SHS01 base chairs



Bases

1 Base SHS01:

- 4 - legged, metal, powder coated
- legs 30 × 18 mm, wall thickness 1,5 mm; CNC - bent
- finished with polypropylene feet (PP+30GF) in frame colour
- side cap, polypropylene, colour: black
- **stacked** - max. 12 pieces



SHS01

2 Base SHS01K:

- 4 - legged, metal, powder coated
- legs 30 × 18 mm, wall thickness 1,5 mm; CNC - bent
- finished with castors Ø55 mm for soft floors; **OPTION WITH EXTRA CHARGE** - castors for hard floors
- side cap, polypropylene, colour: black



SHS01K

3 Base SHS07:

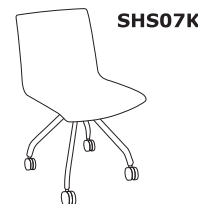
- 4 - star, metal, powder coated
- legs 30 × 18 mm, wall thickness 1,5 mm; CNC - bent
- finished with polypropylene feet (PP+30GF), colour: black
- swivel seat - 360°



SHS07

4 Base SHS07K:

- 4 - star, metal, powder coated
- legs 30 × 18 mm, wall thickness 1,5 mm; CNC - bent
- finished with castors Ø55 mm for soft floors; **OPTION WITH EXTRA CHARGE** - castors for hard floors



SHS07K

5 Base SHS10:

- base 5 - star, polypropylene, Ø=680 mm, h=124 mm
- polypropylene feet Ø50 mm, h 32
- gas spring, steel, colour: black, adjustment range 130 mm (385 - 515 mm)
- swivel seat - 360°



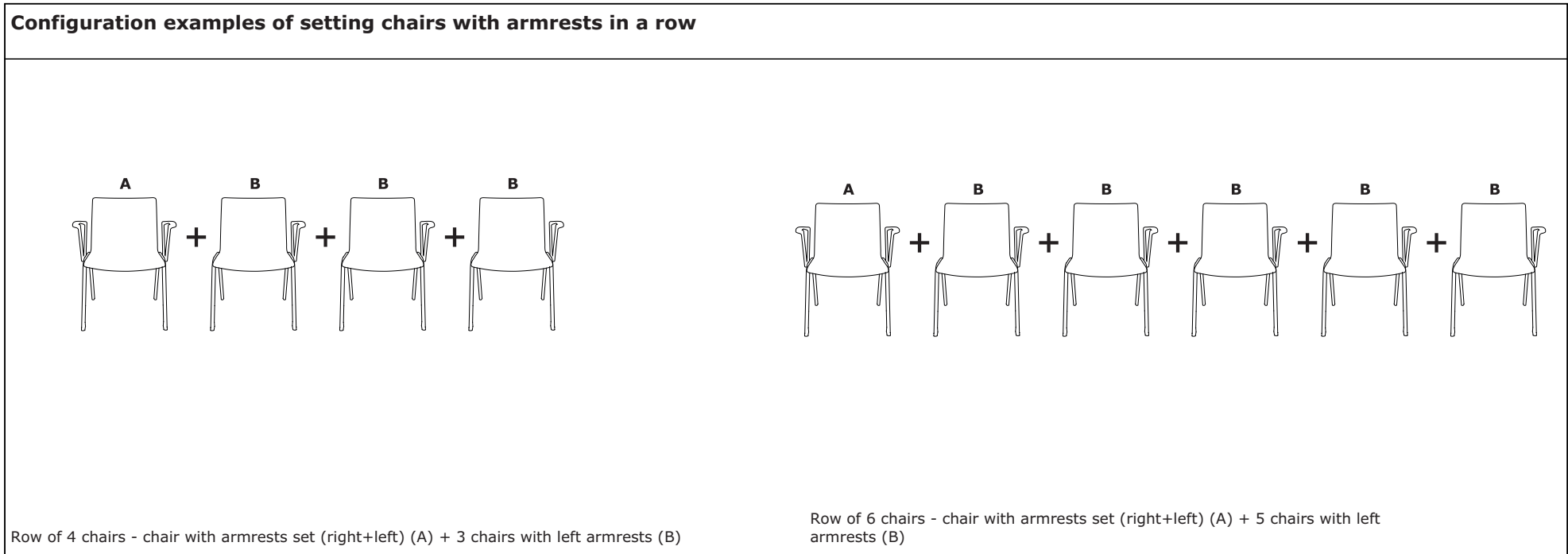
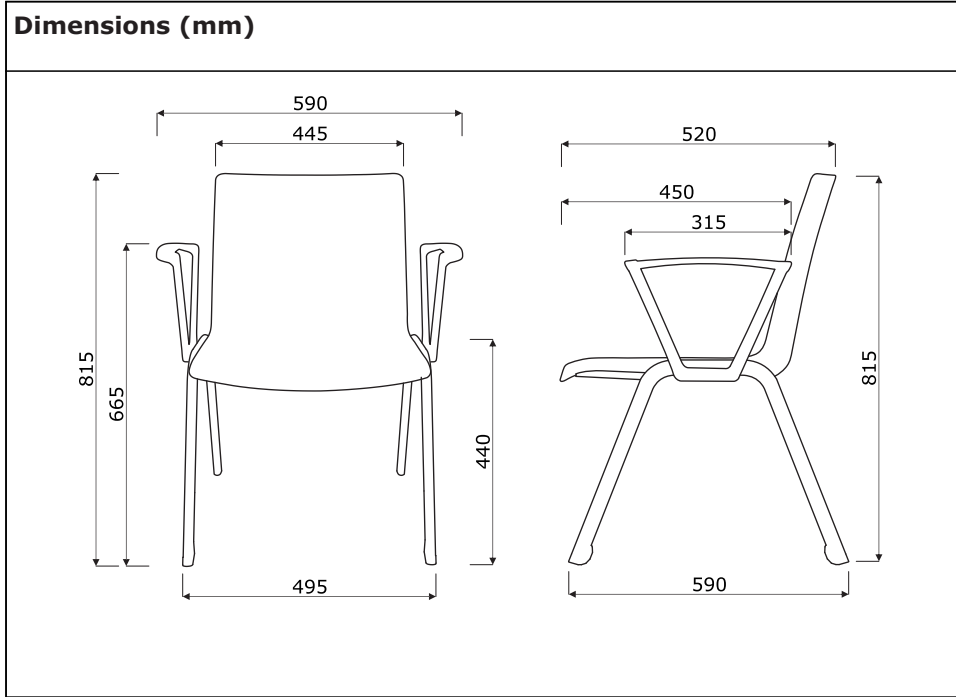
SHS10

6 Base SHS10K:

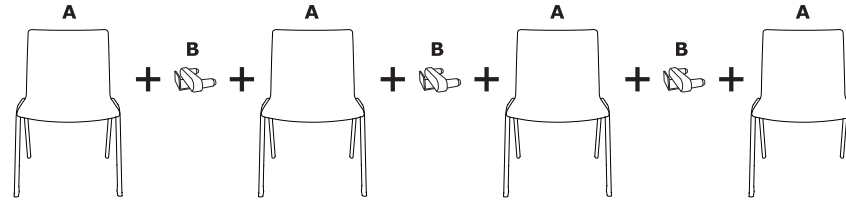
- base 5 - star, polypropylene, Ø=680 mm, h=124 mm
- finished with castors Ø55 mm for soft floors; **OPTION WITH EXTRA CHARGE** - castors for hard floors
- gas spring, steel, colour: black, adjustment range 130 mm (385 - 515 mm)
- swivel seat - 360°



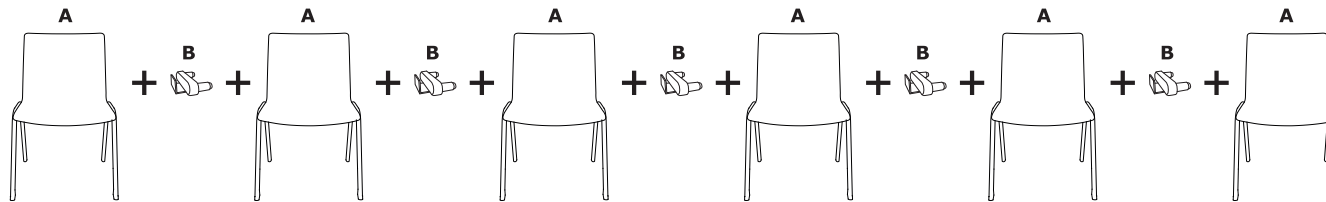
SHS10K









Configuration examples of setting chairs without armrests in a row



Row of 4 chairs - chair without armrests set (A) + 3 connecting elements for setting chairs in a row (B)



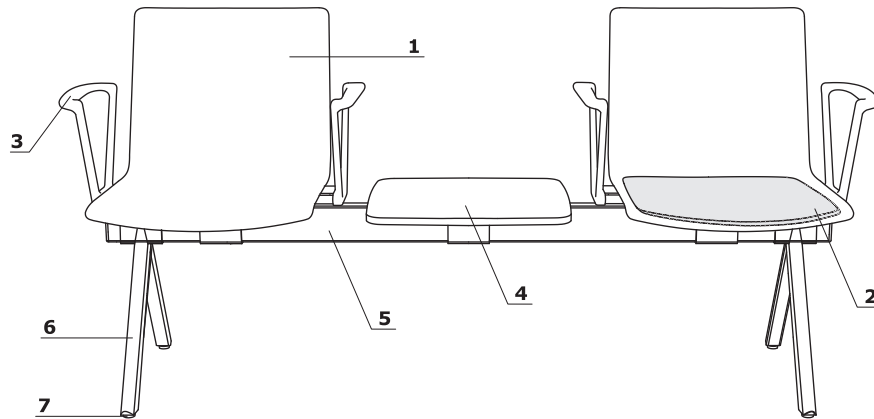
Row of 6 chairs - chair without armrests set (A) + 5 connecting elements for setting chairs in a row (B)

Chairs							
	Symbol	Price EUR	Dimensions			kg m3 pcs	Comments
			Width	Depth	Height		
	SHS01	154,-	590	580	825	23.4 kg 0.281 m3 1 pcs	stacking - maximum of 12 pieces; the same applies for the version with armrests and the writing pad; * Writing tablet is fixed to the set of armrests; * Row of chairs with left armrests should begin with a chair with an armrests set (right + left); * There is no possibility to link two or more chairs with an armrests set (right + left). Writing tablet is fixed to the set of armrests. * Row of chairs with left armrests should begin with a chair with an armrests set (right + left). * There is no possibility to link two or more chairs with an armrests set (right + left).
	SHS01K	172,-	590	580	825	8 kg 0.281 m3 1 pcs	
	SHS07	198,-	590	580	825	8 kg 0.43 m3 1 pcs	
	SHS07K	172,-	590	580	825	11.1 kg 0.43 m3 1 pcs	
	SHS10	182,-	590	580	825	8 kg 0.43 m3 1 pcs	
	SHS10K	188,-	590	580	825	11.3 kg 0.309 m3 1 pcs	

Extra charge										
II Price group	III Price group	IV price group	Castors for hard floors	First price group	Connector to set in a row	Left armrest to set in a row	Armrests, set (right + left)	Armrests, set (right + left) + writing tablet	Right armrest + writing tablet	
34,-	45,-	52,-		27,-	12,-	18,-	24,-	76,-	72,-	
34,-	45,-	52,-	8,-	27,-	12,-	18,-	24,-	76,-	72,-	
34,-	45,-	52,-		27,-			24,-	76,-	72,-	
34,-	45,-	52,-	8,-	27,-			24,-	76,-	72,-	
34,-	45,-	52,-		27,-			24,-	76,-	72,-	
34,-	45,-	52,-	8,-	27,-			24,-	76,-	72,-	

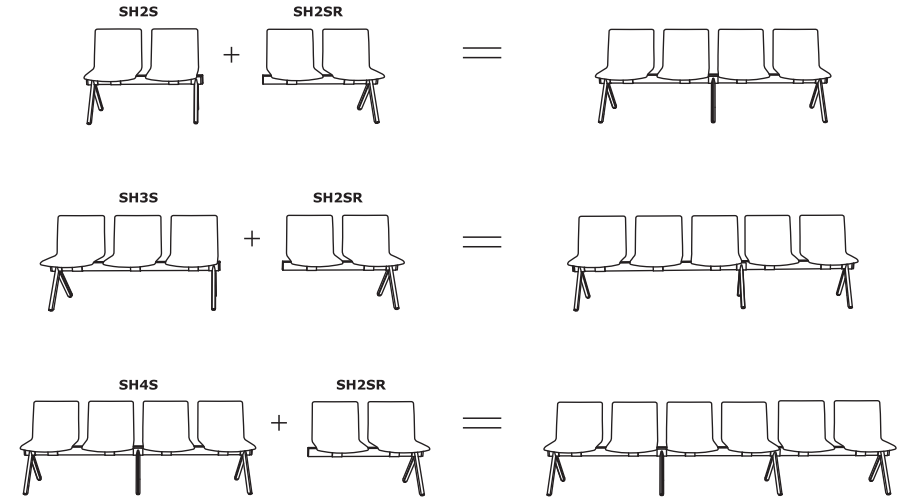
Technical specification

- 1 **Seat** - polypropylene
- 2 **OPTION WITH EXTRA CHARGE** - upholstered seat pad
- 3 **Armrests** - polyamide (PA+30GF), colour: black
- 4 **Top** - MFC 18 mm, colour: black, ABS edges 2 mm
- 5 **Frame** - 80 × 40 mm, wall thickness 2 mm, finished with polypropylene caps in frame colour, powder coated
- 6 **Legs** - triangle profile 56 × 34 mm, wall thickness 2 mm
- 7 **Feet** - articulated, chrome

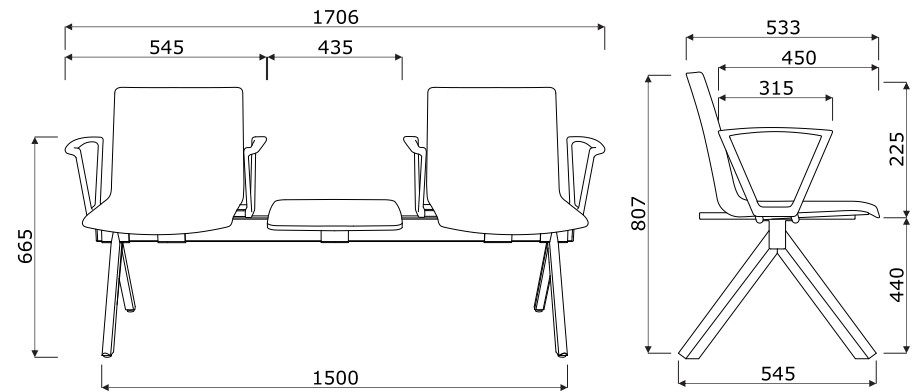










- max. load 120 kg

Configuration examples



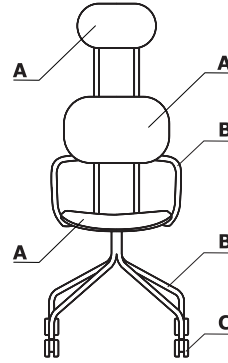
Dimensions (mm)



SHILAB							
	Symbol	Price EUR	Dimensions			kg m3 pcs	Comments
			Width	Depth	Height		
	SH1S1B	278,-	1216	533	807	18 kg 0.23 m3 3 pcs	
	SH2S	294,-	1216	533	807	18 kg 0.23 m3 3 pcs	
	SH2S1B	394,-	1706	533	807	45.4 kg 1.626 m3 4 pcs	
	SH3S	410,-	1706	533	807	30.5 kg 0.837 m3 3 pcs	
	SH3S1B	496,-	2296	533	807	33 kg 0.357 m3 3 pcs	
	SH4S	515,-	2296	533	807	31 kg 0.357 m3 3 pcs	
	SH1S1BR	214,-	1216	533	807	18 kg 0.23 m3 3 pcs	
	SH2SR	234,-	1216	533	807	18 kg 0.23 m3 3 pcs	

Extra charge							
II Price group	III Price group	IV price group	First price group	Armrests, set (right + left)			
34,-	45,-	52,-	27,-	24,-			
72,-	88,-	102,-	54,-	37,-			
72,-	88,-	102,-	54,-	48,-			
102,-	132,-	154,-	82,-	48,-			
102,-	132,-	154,-	82,-	60,-			
144,-	174,-	204,-	110,-	60,-			
34,-	45,-	52,-	27,-	24,-			
72,-	88,-	102,-	54,-	37,-			

Colour combination - New School



Material	Colour	Chairs														
		A - Seat, back, Headrest	B - Base, armrest - metal	C - Castors												
Plywood	M025 - Light ash	✓														
	M017 - Light grey RAL 7044	✓														
	M018 - Dark grey RAL 7042	✓														
	M019 - Dark green RAL 6012	✓														
	M020 - Burgundy RAL 3007	✓														
	M021 - Red RAL 3016	✓														
	M022 - Black RAL 9005	✓														
	M023 - White pearl RAL 1013	✓														
	M031 - Olive RAL 6013	✓														
	M032 - Blue RAL 5003	✓														
	M033 - Beige RAL 0608005	✓														
	M034 - Brick red RAL 0404040	✓														
	M035 - Yellow RAL 0807060	✓														
		Black			✓											

* option with extra charge

Material	Colour	Chairs																
		A - Seat, back, Headrest	B - Base, armrest - metal	C - Castors														
Fabric	Medley	II group ✓																
	**Atlantic	II group ✓																
	Vita	II group ✓																
	****Charles	II group ✓																
	Mica	II group ✓																
	Go Check	II group ✓																
	*Customer's own fabric	II group ✓																
	Synergy	III group ✓																
	***Silvertex	III group ✓																
	Tessa	III group ✓																
	Oceanic	III group ✓																
	Quest	III group ✓																
	Grain	III group ✓																
	Atlas	IV group ✓																
	Leather	IV group ✓																
Metal	M010 - light grey semi-matt RAL 7044		✓															
	M011 - dark grey semi-matt RAL 7042		✓															
	M012 - dark green semi-matt RAL 6012		✓															
	M013 - burgundy semi-matt RAL 3007		✓															
	M014 - red semi-matt RAL 3016		✓															
	M016 - pearl white semi-matt RAL 1013		✓															
	M026 - olive semi-matte RAL 6013		✓															
	M027 - blue semi-matte RAL5003		✓															
	M028 - brick red semi-matte RAL 0404040		✓															
	M029 - yellow semi-matte RAL 0807060		✓															
	M030 - beige semi-matte RAL 0608005		✓															
M115 - black semi-matt RAL 9005		✓																

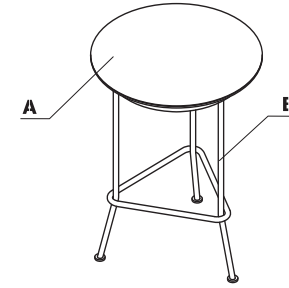
* Employing the customer's fabric requires running upholstery tests in order to check the possibility of realisation.

** There is a possibility of ordering the product in full colour spectrum of Atlantic range, as per Gabriel's pattern book, within 8 weeks

*** There is a possibility of ordering the product in full colour spectrum of Silvertex range, as per Spradling's pattern book, within 15 working days.

**** There is a possibility of ordering the product in full colour spectrum of Charles range, as per Dekoma pattern book, within the standard delivery time.

Colour combination - New School

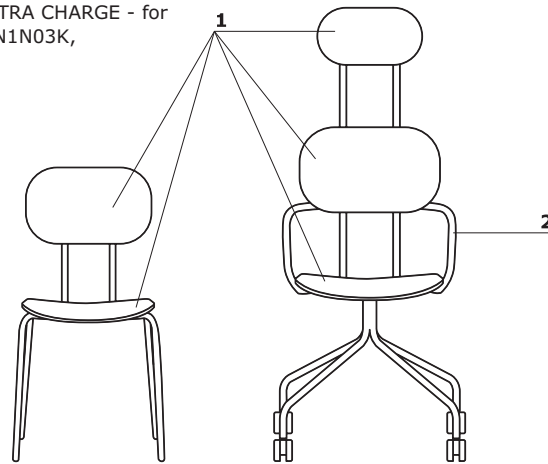


Material	Colour	Meeting tables														
		A - Top	B - Frame													
Linoleum	Light grey	✓														
	Dark green	✓														
	Burgundy	✓														
	Black	✓														
	Blue	✓														
Metal	M010 - light grey semi-matt RAL 7044		✓													
	M012 - dark green semi-matt RAL 6012		✓													
	M013 - burgundy semi-matt RAL 3007		✓													
	M115 - black semi-matt RAL 9005		✓													
	M027 - blue semi-matte RAL5003		✓													

* ATTENTION - Top edging always matching the colour of the framework

Technical specification

- 1 Seat, backrest, headrest** - upholstery/plywood (8 layers / 9 mm)
- 2 Armrests** - metal (right + left) in frame colour; OPTION WITH EXTRA CHARGE - for seat, backrest N1N01, N1N07, N1N03K, N1N04H, N1N05H, N1N08K

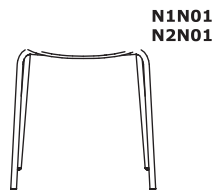


- max. load 120 kg

Bases

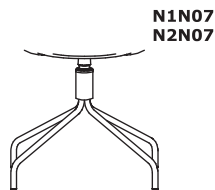
1 Base N1N01/N2N01:

- 4 - legged metal frame
- frame made of tube Ø18 mm, wall thickness 2 mm, powder coated
- **N1N01** - stacking - maximum of 5 pieces (only in the plywood finish chairs)



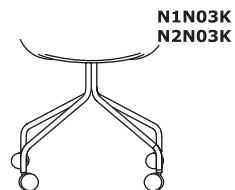
2 Base N1N07/N2N07:

- 4 - star metal frame
- frame made of tube Ø18 mm, wall thickness 2 mm, powder coated
- swivel seat - 360°



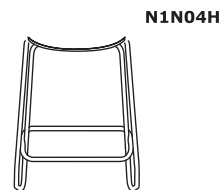
3 Base N1N03K/N2N03K:

- 4 - star metal frame
- castors for soft floors
- OPTION WITH EXTRA CHARGE - castors for hard floors
- frame made of tube Ø18 mm, wall thickness 2 mm, powder coated
- fixed seat



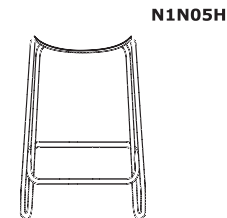
4 Base N1N04H:

- low stool
- cantilever, metal
- frame made of tube Ø18 mm, wall thickness 2 mm, powder coated
- stacking - maximum of 5 pieces (only in the plywood finish chairs)



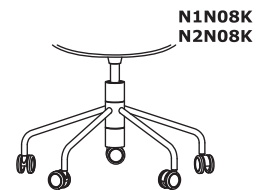
5 Base N1N05H:

- high stool
- cantilever, metal
- frame made of tube Ø18 mm, wall thickness 2 mm, powder coated
- stacking - maximum of 5 pieces (only in the plywood finish chairs)

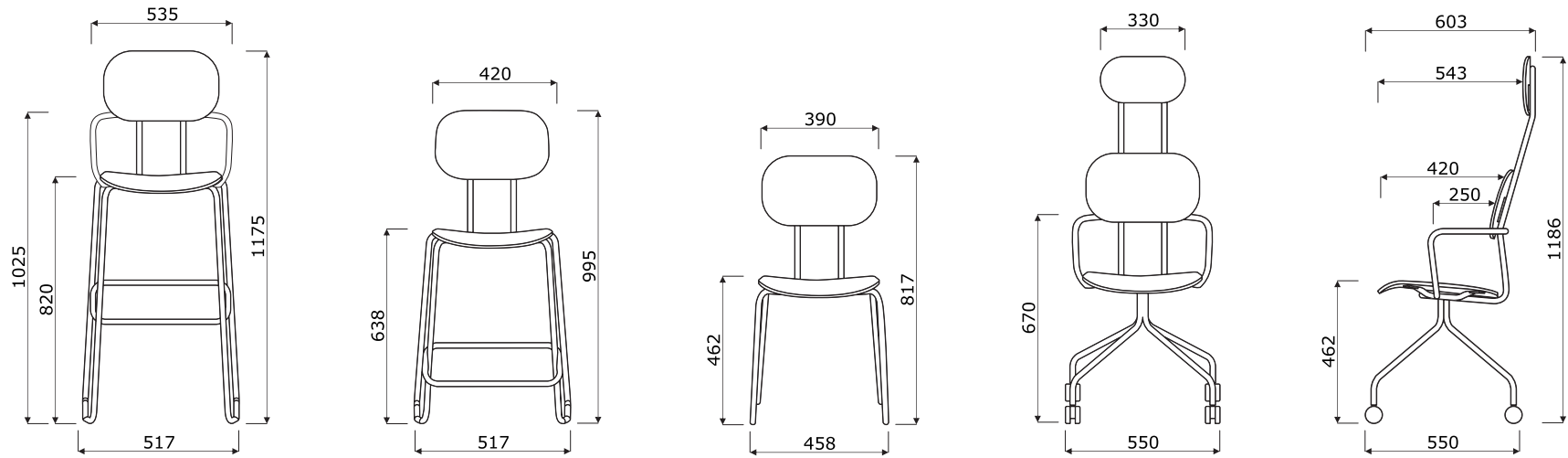


6 Base N1N08K/N2N08K:

- base 5 - star, steel pipe Ø18 mm, wall thickness 2 mm, powder coated
- steal gas spring; adjustment range 100 mm ()
- seat - height: 440 - 540 mm ()

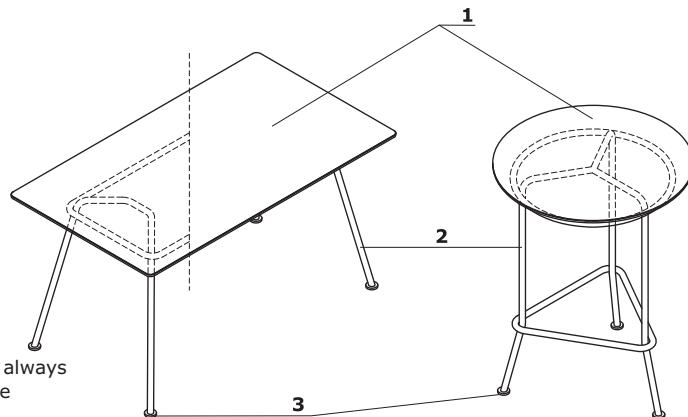


Dimensions (mm)









New School - meeting tables





- 1 Top** - 19mm MDF board; covered in bacteriostatic linoleum with resistance to finger prints; varnished Edge
- 2 Frame** - metal, powder coated, frame made of tube \varnothing 25 mm
- 3 Leveling feet** - range 9 mm






ATTENTION - Top edging always matching the colour of the framework

Chairs							
	Symbol	Price EUR	Dimensions			kg m3 pcs	Comments
			Width	Depth	Height		
	N1N01	192,-	535	500	830	7 kg 0.281 m3 1 pcs	
	N1N07	290,-	535	500	830	10.7 kg 0.21 m3 1 pcs	
	N1N03K	244,-	535	500	830	10.2 kg 0.43 m3 1 pcs	
	N1N04H	272,-	535	560	1000	10.7 kg 0.371 m3 1 pcs	
	N1N05H	278,-	535	560	1185	10.8 kg 0.396 m3 1 pcs	
	N1N08K	294,-	603	603	795	9.49 kg 0.316 m3 1 pcs	




Extra charge							
II Price group	III Price group	IV price group	Castors for hard floors	Armrests, set (right + left)			
33,-	62,-	78,-		23,-			
33,-	62,-	78,-		23,-			
33,-	62,-	78,-	8,-	23,-			
33,-	62,-	78,-		23,-			
33,-	62,-	78,-		23,-			
33,-	62,-	78,-	8,-	23,-			

Chairs							
	Symbol	Price EUR	Dimensions			kg m3 pcs	Comments
			Width	Depth	Height		
	N2N01	278,-	535	560	1205	9 kg 0.412 m3 1 pcs	
	N2N07	372,-	535	560	1205	9 kg 0.412 m3 1 pcs	
	N2N03K	334,-	535	560	1205	13 kg 0.411 m3 1 pcs	
	N2N08K	376,-	644	644	1170	10.79 kg 0.485 m3 1 pcs	

Extra charge							
II Price group	III Price group	IV price group	Castors for hard floors				
44,-	82,-	102,-					
44,-	82,-	102,-					
44,-	82,-	102,-	8,-				
44,-	82,-	102,-	8,-				

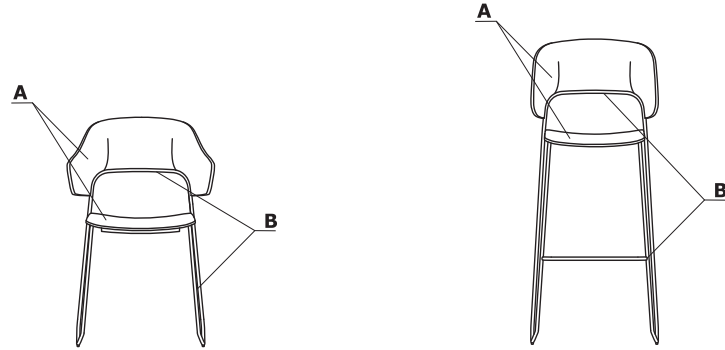
Meeting tables							
	Symbol	Price EUR	Dimensions			kg m3 pcs	Comments
			Width	Depth	Height		
	NS812	680,-	1200	800	750	33.1 kg 0.395 m3 4 pcs	
	NS814	740,-	1400	800	750	33.5 kg 0.402 m3 4 pcs	
	NS816	795,-	1600	800	750	36.6 kg 0.41 m3 4 pcs	
	NS818	845,-	1800	800	750	40.3 kg 0.417 m3 4 pcs	
	NS77	505,-	700	700	750	19.8 kg 0.352 m3 4 pcs	
	NS88	560,-	800	800	750	25.3 kg 0.381 m3 4 pcs	
	NS11	675,-	1000	1000	750	31 kg 0.421 m3 4 pcs	
	NS70	440,-	700	700	750	15.5 kg 0.398 m3 2 pcs	
	NS80	496,-	800	800	750	17 kg 0.404 m3 2 pcs	
	NS100	655,-	1000	1000	750	26.5 kg 0.396 m3 4 pcs	

Extra charge							

High tables							
	Symbol	Price EUR	Dimensions			kg m3 pcs	Comments
			Width	Depth	Height		
	NS80H	585,-	800	800	1050	22 kg 0.585 m3 2 pcs	
	NS100H	710,-	1000	1000	1050	31.7 kg 0.483 m3 5 pcs	
	NS88H	630,-	800	800	1050	30.5 kg 0.468 m3 5 pcs	
	NS11H	785,-	1000	1000	1050	37.5 kg 0.57 m3 5 pcs	
	NS812H	785,-	1200	800	1050	39.5 kg 0.484 m3 5 pcs	
	NS814H	840,-	1400	800	1050	40.5 kg 0.492 m3 5 pcs	
	NS816H	900,-	1600	800	1050	43.8 kg 0.499 m3 5 pcs	

Extra charge							

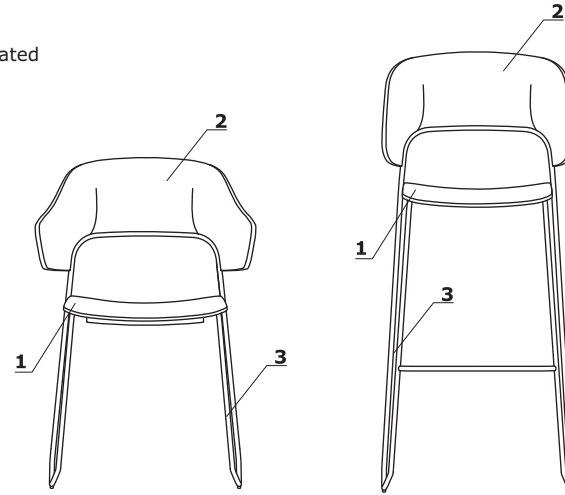
Colour combination - Afi



Material	Colour	AFI													
		A - Seat, back	B - Frame												
Veneer	181 - natural oak	✓	M115 - black semi-matt RAL 9005												
	182 - black oak	✓	M115 - black semi-matt RAL 9005												

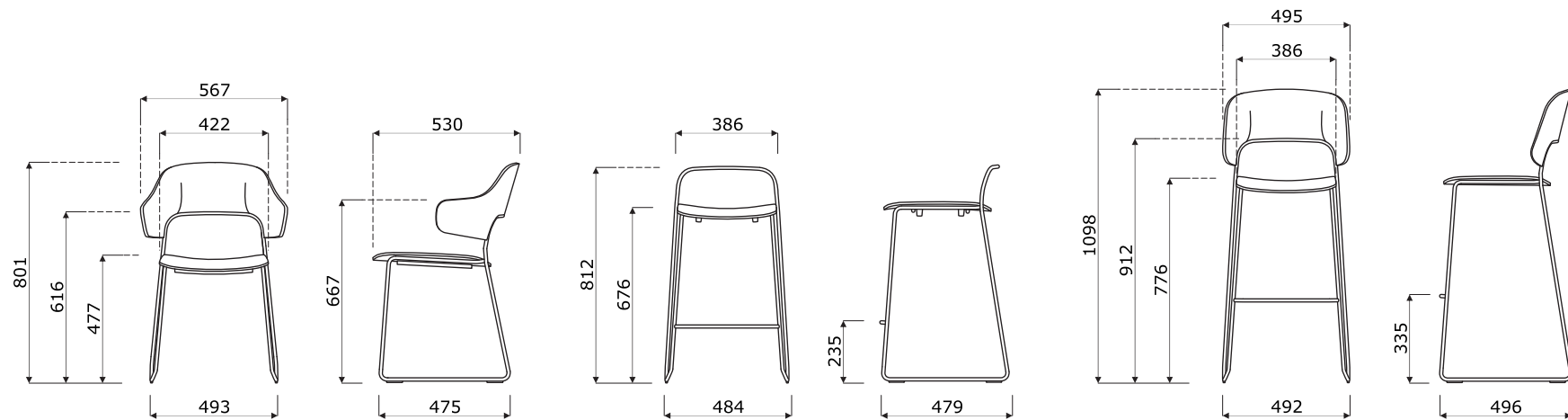
Technical specification









- 1 Seat** - plywood, 10 mm thick; stacking spacers underneath the seat - 4 pcs
2 Backrest - plywood, 11 mm thick
3 Base:
- cantilever, metal
 - Ø12 mm wired legs, powder coated
 - polypropylene feet



ATTENTION - stacked - max. 5 pieces

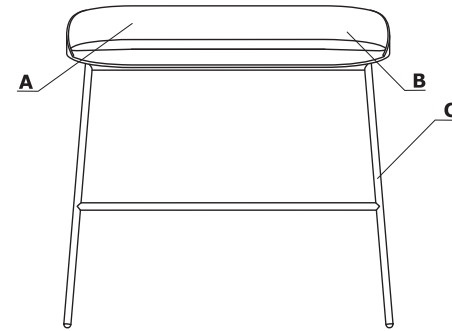
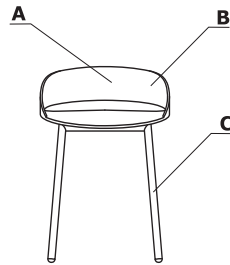
Dimensions (mm)



AFI							
	Symbol	Price EUR	Dimensions			kg m3 pcs	Comments
			Width	Depth	Height		
	AF01	234,-	492	496	900	9.3 kg 0.232 m3 1 pcs	
	AF02	300,-	492	496	1092	11.1 kg 0.281 m3 1 pcs	
	AF03	310,-	562	496	1092	11.4 kg 0.325 m3 1 pcs	
	AF04	290,-	492	530	794	9.4 kg 0.243 m3 1 pcs	
	AF05	300,-	567	530	794	9.3 kg 0.282 m3 1 pcs	
	AF06	222,-	484	480	813	8 kg 0.208 m3 1 pcs	
	AF07	290,-	492	491	999	9 kg 0.265 m3 1 pcs	
	AF08	300,-	567	491	999	9.5 kg 0.302 m3 1 pcs	

Extra charge

Colour combination - Team



Material	Colour	Team														
		A - Seat - polypropylene	B - Seat upholstered	C - Base												
Polypropylene	Black RAL 9005	✓														
	Anthracite RAL 7043	✓														
	Olive RAL 6013	✓														
	Dark green RAL6012	✓														
	Pearl white RAL1013	✓														
	yellow RAL 0807060	✓														
	Brick red semi-matte RAL 0404040	✓														
	Burgundy RAL 3007	✓														
Metal	M012 - dark green semi-matt RAL 6012			✓												
	M013 - burgundy semi-matt RAL 3007			✓												
	M016 - pearl white semi-matt RAL 1013			✓												
	M154 - anthracite semi-matt RAL 7043			✓												
	M115 - black semi-matt RAL 9005			✓												
	M026 - olive semi-matte RAL 6013			✓												
	M028 - brick red semi-matte RAL 0404040			✓												
	M029 - yellow semi-matte RAL 0807060			✓												

Material	Colour	Team														
		A - Seat - polypropylene	B - Seat upholstered	C - Base												
Fabric	Medley		✓													
	**Atlantic		✓													
	Vita		✓													
	****Charles		✓													
	Go Check		✓													
	Mica		✓													
	Synergy		III group ✓													
	***Silvertex		III group ✓													
	Tessa		III group ✓													
	Oceanic		III group ✓													
	Quest		III group ✓													
	Grain		III group ✓													
	*Customer's own fabric		III group ✓													
	Atlas		IV group ✓													
	Leather		IV group ✓													

* Employing the customer's fabric requires running upholstery tests in order to check the possibility of realisation.

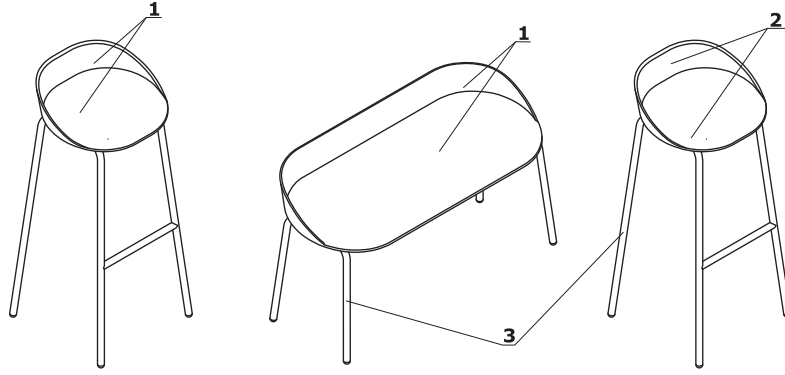
** There is a possibility of ordering the product in full colour spectrum of Atlantic range, as per Gabriel's pattern book, within 8 weeks

*** There is a possibility of ordering the product in full colour spectrum of Silvertex range, as per Spradling's pattern book, within 15 working days.

**** There is a possibility of ordering the product in full colour spectrum of Charles range, as per Dekoma pattern book, within the standard delivery time.

Technical specification

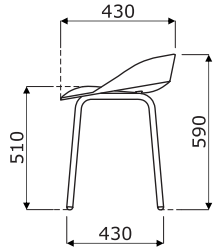
- 1 Seat** - polypropylene
- 2 Seat** - upholstered
- 3 Base** - frame Ø22 mm, wall thickness 2,5 mm, powder coated



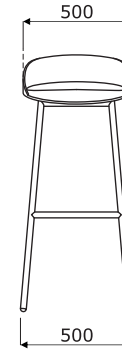
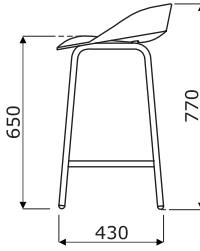
Dimensions (mm)



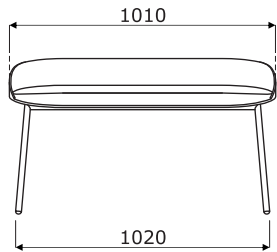
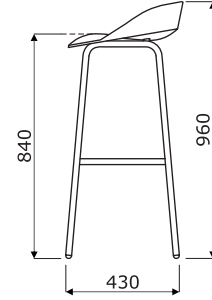
TE01
TE01F



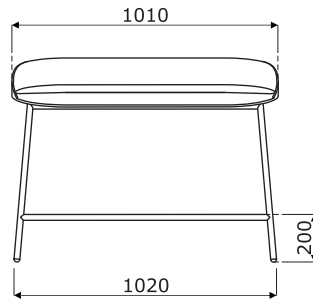
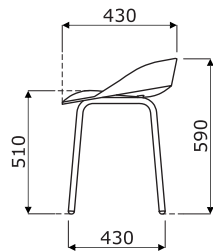
TE11H
TE11HF



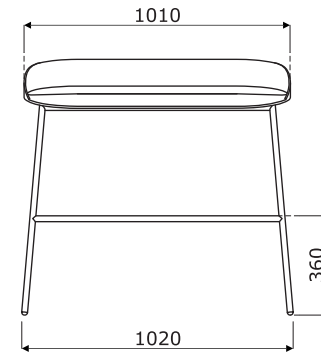
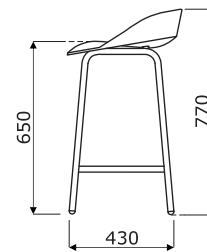
TE01H
TE01HF



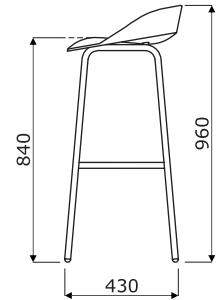
TE02F






TE12HF









TE02HF



Team - seat polypropylene							
	Symbol	Price EUR	Dimensions			kg m3 pcs	Comments
			Width	Depth	Height		
	TE01	144,-	500	430	590	7.9 kg 0.138 m3 1 pcs	max. load - 120 kg
	TE11H	150,-	500	430	770	6.9 kg 0.187 m3 1 pcs	max. load - 120 kg; matching 900 mm high tables
	TE01H	154,-	500	430	960	10.6 kg 0.222 m3 1 pcs	max. load - 120 kg

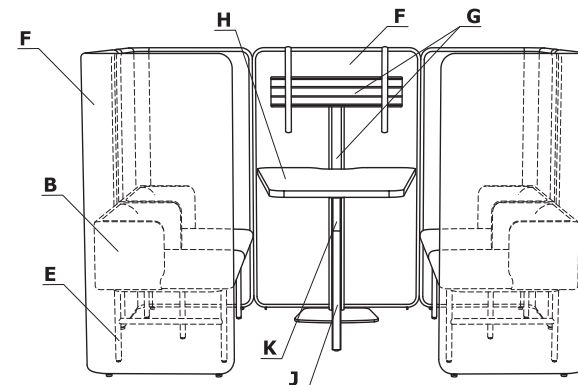
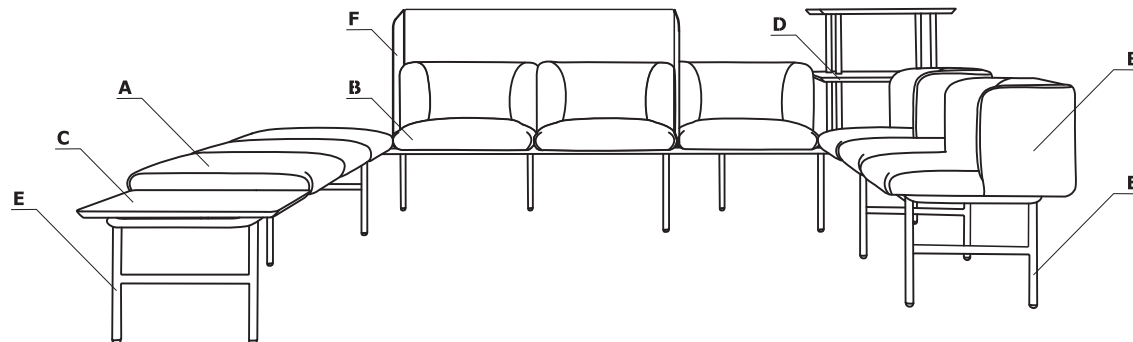
Extra charge							

Team - seat upholstered															
	Symbol	Price EUR	Dimensions			kg m3 pcs	Comments								
			Width	Depth	Height										
	TE01F	234,-	500	430	590	7.9 kg 0.138 m3 1 pcs	max. load - 120 kg	28,-	49,-						
	TE11HF	248,-	500	430	770	6.9 kg 0.187 m3 1 pcs	max. load - 120 kg; matching 900 mm high tables	28,-	49,-						
	TE01HF	260,-	500	430	960	10.6 kg 0.222 m3 1 pcs	max. load - 120 kg	28,-	49,-						
	TE02F	394,-	1020	430	590	9 kg 0.276 m3 1 pcs	2-seater bench; max. load - 240 kg	56,-	92,-						
	TE12HF	424,-	1020	430	770	9.7 kg 0.374 m3 1 pcs	2-seater bench; max. load - 240 kg; matching 900 mm high tables	56,-	92,-						
	TE02HF	450,-	1020	430	960	11 kg 0.445 m3 1 pcs	2-seater bench; max. load - 240 kg	56,-	92,-						

Extra charge

III Price group	IV price group						
28,-	49,-						
28,-	49,-						
28,-	49,-						
56,-	92,-						
56,-	92,-						
56,-	92,-						

Colour combination - Agora



Material	Colour	AGORA													
		A - ES01	B - ES02	C - ES03	D - ES04	E - Base	F - Screen	G - TV stand	H - Top	I - Metal element	J - Base - wooden leg	K - Base - meeting cubicles			
Fabric	Medley	✓	✓				✓								
	**Atlantic	✓	✓				✓								
	Vita	✓	✓				✓								
	***Charles	✓	✓				✓								
	Go Check	✓	✓				✓								
	Mica	✓	✓				✓								
	*Customer's own fabric	III group ✓	III group ✓				III group ✓								
	Synergy	III group ✓	III group ✓				III group ✓								
	***Silvertex	III group ✓	III group ✓				III group ✓								
	Tessa	III group ✓	III group ✓				III group ✓								
	Oceanic	III group ✓	III group ✓				III group ✓								
	Quest	III group ✓	III group ✓				III group ✓								
	Grain	III group ✓	III group ✓				III group ✓								
	Atlas	IV group ✓	IV group ✓				IV group ✓								
	Leather	IV group ✓	IV group ✓				IV group ✓								

* Employing the customer's fabric requires running upholstery tests in order to check the possibility of realisation.

*** There is a possibility of ordering the product in full colour spectrum of Silvertex range, as per Spradling's pattern book, within 15 working days.

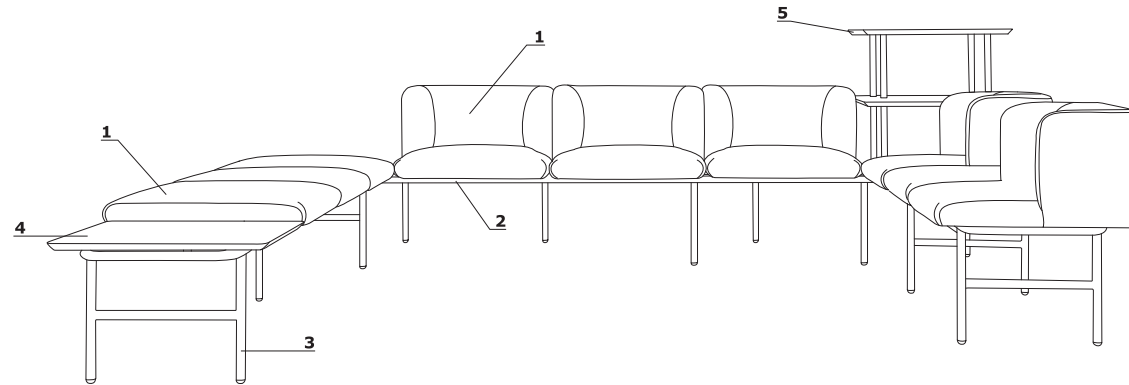
** There is a possibility of ordering the product in full colour spectrum of Atlantic range, as per Gabriel's pattern book, within 8 weeks

**** There is a possibility of ordering the product in full colour spectrum of Charles range, as per Dekoma pattern book, within the standard delivery time.

Material	Colour	AGORA															
		A - ES01	B - ES02	C - ES03	D - ES04	E - Base	F - Screen	G - TV stand	H - Top	I - Metal element	J - Base - wooden leg						
Veneer	M023 - White pearl RAL 1013			✓	✓												
	M022 - Black RAL 9005			✓	✓												
Metal	Black							✓									
	M009 - aluminium semi-matt RAL 9006									✓							
	M015 - white semi-matt RAL 9010									✓							
	M016 - pearl white semi-matt RAL 1013					✓				✓							
	M115 - black semi-matt RAL 9005					✓				✓							
	M154 - anthracite semi-matt RAL 7043									✓							
MFC	26 - aluminum satinato								✓								
	31 - canadian oak								✓								
	39 - polar birch								✓								
	64 - cocoa								✓								
	67 - white pastel								✓								
	106 - lowland walnut								✓								
	154 - anthracite								✓								
	08 - black								✓								
	167 - grey oak								✓								
	168 - natural oak								✓								
	169 - honey oak								✓								
	170 - acacia								✓								
	171 - dark walnut								✓								
	Natural ash										✓						

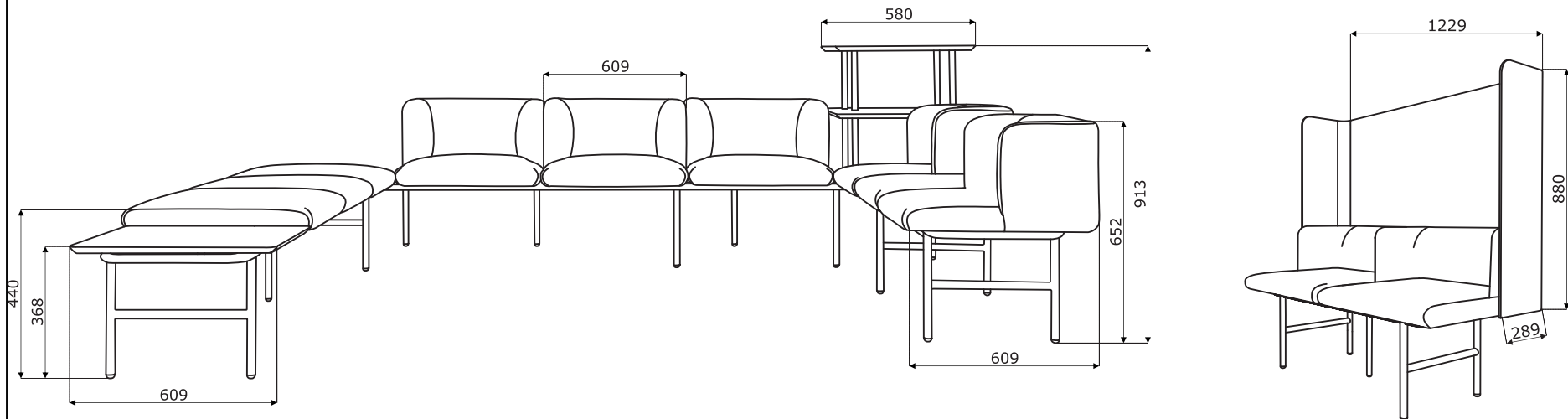
Technical specification

- 1 Seat, backrest** - moulded foam, density of 52 kg/m³, upholstered
- 2 Base** - Ø25 mm, wall thickness 1.5 mm, powder coated
- 3 Legs** - finished with polypropylene feet in frame colour
- 4 Top** - MDF 19mm, natural veneer
- 5 Shelf** - natural veneer

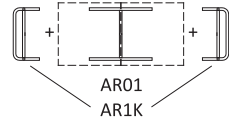
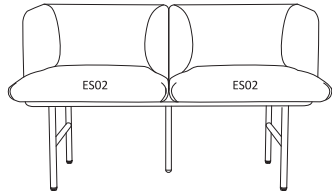


- max. load 120 kg

Dimensions (mm)

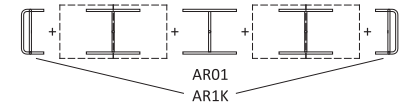
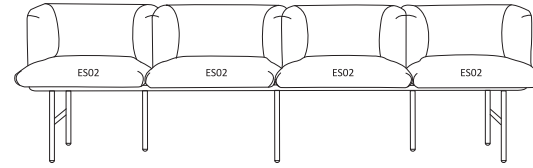


Configuration examples



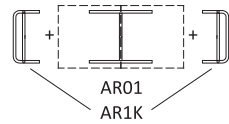
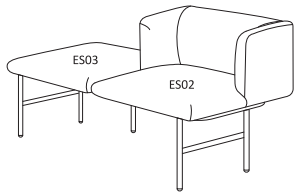
Frame: AR1K + AR01|

Configuration: 2 x ES02



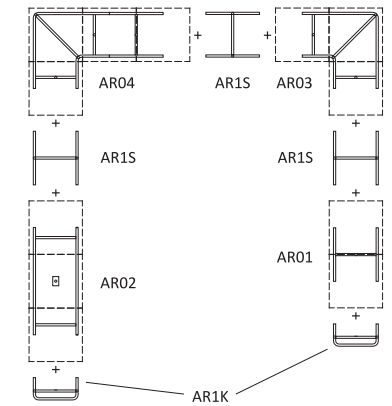
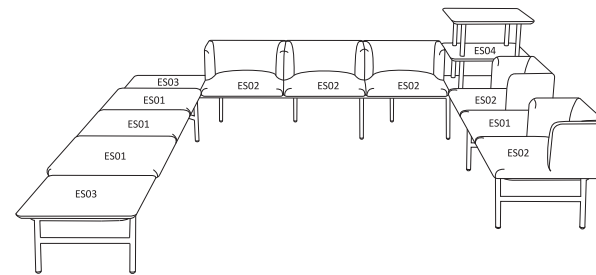
Frame: AR1K + AR01 + AR1S + AR01|

Configuration: 4 x ES02



Frame: AR1K + AR1|

Configuration: ES01 + ES02

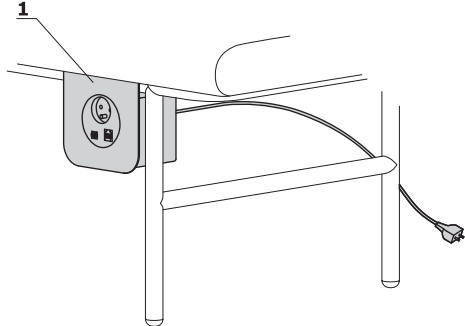


Frame: AR1K + AR02 + AR1S + AR03 + AR1S + AR04 + AR1S + AR01|

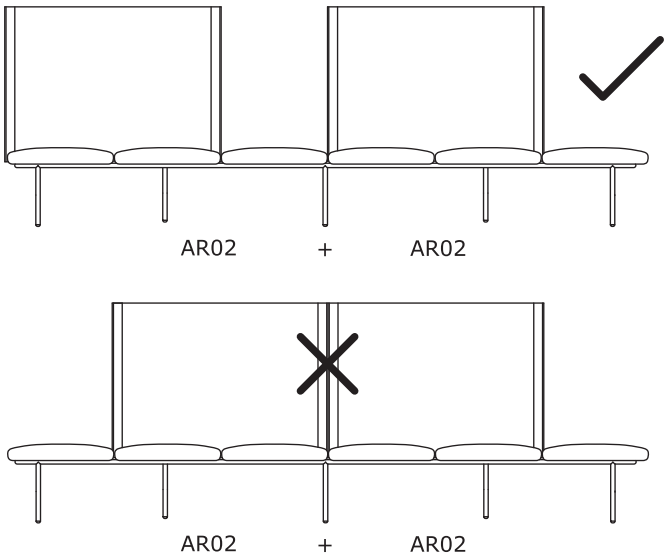
Configuration: ES03 + 3 x ES01 + ES03 + 3 x ES02 + ES04 + ES02 + ES01 + ES02

Mediabox

1 Mediabox - option with up charge - colour: black, white; 1x 230V socket + 1x USB charger + 1x RJ45 port, 2000mA; mountable to the frame of the seat in any place along the entire length of the frame



Attention - the screens cannot be mounted side by side



AR02 + AR02

AR02 + AR02

Meeting cubicles

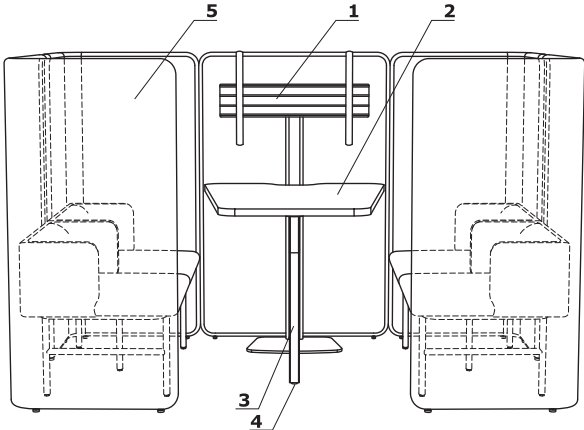
1 TV stand - steel, max size of 32-70", max weight 50 kg; equipped with cable cover

2 Worktop - MFC 28 mm, ABS edge

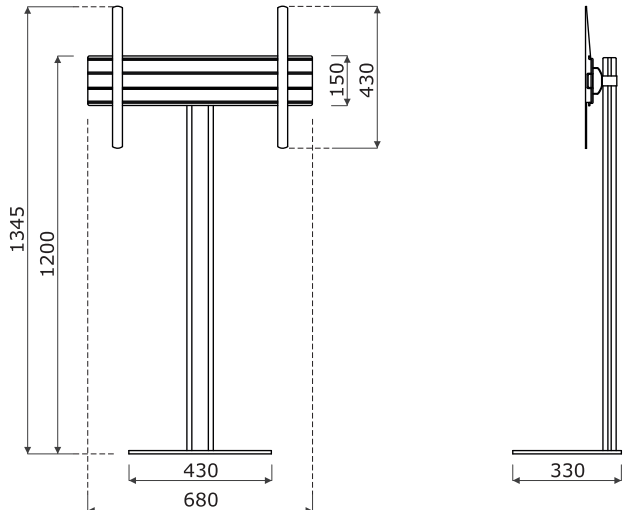
3 Natural wood - ash, with metal element, powder coated, coated with transparent varnish, profile 40 x 40 mm, spacer 10 mm between top and frame

4 Leveling - 10 mm range

5 Screen - wooden frame, upholstered



TV stand - dimensions (mm)



1345

1200

430

150

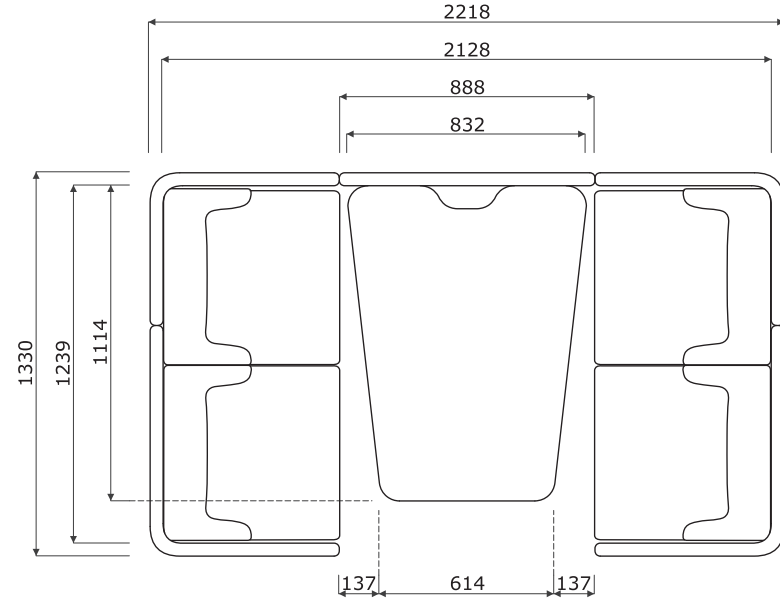
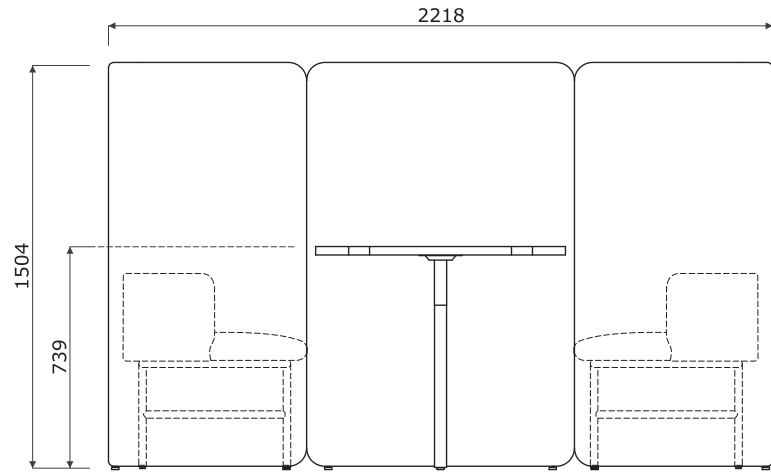
430

680

430

330

Meeting cubicles - dimensions (mm)



Symbol		Price EUR		Dimensions			kg m3 pcs	Composition elements	
				W1	W2	D1			D2
AR10		304,-		609	609		450	12 kg 0.369 m3 2 pcs	AR06+ES01


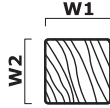
Extra charge						
III Price group	IV price group					
33,-	56,-					

Symbol		Price EUR		Dimensions			kg m3 pcs	Composition elements	
				W1	W2	D1			D2
AR11		528,-		609	609		652	26.5 kg 0.374 m3 2 pcs	AR06+ES02

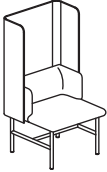
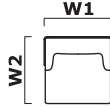
Extra charge						
III Price group	IV price group					
62,-	110,-					

Symbol		Price EUR		Dimensions			kg m3 pcs	Composition elements	
				W1	W2	D1			D2
AR12		440,-		580	580		380	10 kg 0.131 m3 2 pcs	AR06+ES03

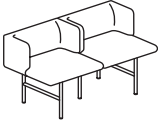
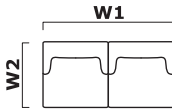
Extra charge						

 									
Symbol	Price EUR	Dimensions					kg m3 pcs	Composition elements	
		W1	W2	D1	D2	H			
AR13	1097,-	580	580			912	21 kg 0.146 m3 3 pcs	AR06+ES04	

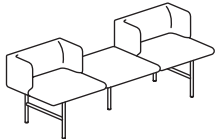
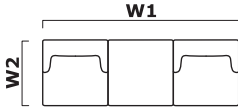
Extra charge						

 									
Symbol	Price EUR	Dimensions					kg m3 pcs	Composition elements	
		W1	W2	D1	D2	H			
AR14	1178,-	630	630			1245	33 kg 0.602 m3 3 pcs	AR06+AP02+ES02	

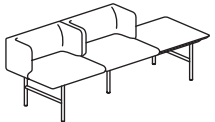
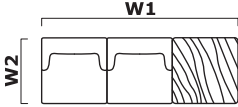
Extra charge						
III Price group	IV price group					
136,-	256,-					

 									
Symbol	Price EUR	Dimensions					kg m3 pcs	Composition elements	
		W1	W2	D1	D2	H			
AR15	962,-	1210	609			652	56.21 kg 0.654 m3 6 pcs	AR01+2xES02+AR1K	

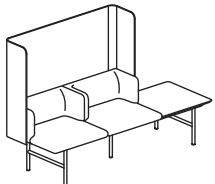
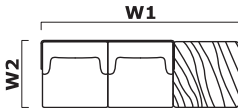
Extra charge						
III Price group	IV price group					
122,-	220,-					

 								
Symbol	Price EUR	Dimensions					kg m3 pcs	Composition elements
		W1	W2	D1	D2	H		
AR16	1150,-	1815	609			652	66.24 kg 0.94 m3 7 pcs	AR02+ES01+2xES02+AR1K

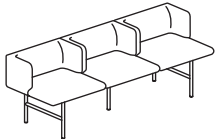
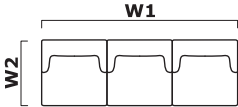
Extra charge					
III Price group	IV price group				
156,-	276,-				

 								
Symbol	Price EUR	Dimensions					kg m3 pcs	Composition elements
		W1	W2	D1	D2	H		
AR17	1286,-	1805	609			652	64.24 kg 0.701 m3 7 pcs	AR02+2xES02+ES03+AR1K

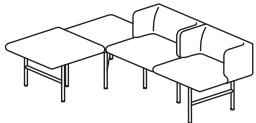
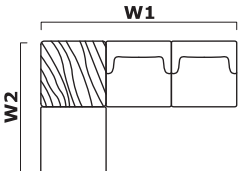
Extra charge					
III Price group	IV price group				
122,-	220,-				

 								
Symbol	Price EUR	Dimensions					kg m3 pcs	Composition elements
		W1	W2	D1	D2	H		
AR18	2151,-	1805	630			1245	75.04 kg 1.048 m3 8 pcs	AR02+AP01+2xES02+ES03+AR1K

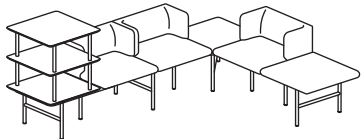
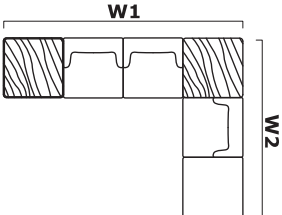
Extra charge					
III Price group	IV price group				
226,-	394,-				

 								
Symbol	Price EUR	Dimensions					kg m3 pcs	Composition elements
		W1	W2	D1	D2	H		
AR19	1374,-	1815	609			652	80.74 kg 0.944 m3 7 pcs	AR02+3xES02+AR1K

Extra charge					
III Price group	IV price group				
184,-	330,-				

 								
Symbol	Price EUR	Dimensions					kg m3 pcs	Composition elements
		W1	W2	D1	D2	H		
AR20	1538,-	1815	1215			652	75.88 kg 1.36 m3 8 pcs	AR04+ES01+2xES02+ES03+AR1K







Extra charge					
III Price group	IV price group				
156,-	276,-				

 								
Symbol	Price EUR	Dimensions					kg m3 pcs	Composition elements
		W1	W2	D1	D2	H		
AR21	3083,-	2404	1815			912	119.25 kg 1.661 m3 12 pcs	AR04+AR01+ES01+3xES02+ES03+ES04+AR1K+AR1S

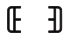




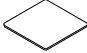
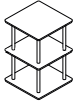
Extra charge					
III Price group	IV price group				
216,-	386,-				

		Dimensions					kg m3 pcs	Composition elements
		W1	W2	D1	D2	H		
AR22	4243,-	3630	1815			912	68.382 kg 1.919 m3 11 pcs	2xAR05+4xES01+4xES02+ES03+ES04+AR1K+AR1S

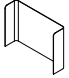

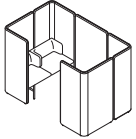
Extra charge						
III Price group	IV price group					
380,-	664,-					

Frame							
	Symbol	Price EUR	Dimensions			kg m3 pcs	Comments
			Width	Depth	Height		
	AR06	132,-	609	609	652	11.3 kg 0.369 m3 2 pcs	
	AR01	82,-	1218	609	913	34.71 kg 0.567 m3 5 pcs	
	AR02	98,-	1827	609	913	51.74 kg 0.867 m3 7 pcs	
	AR03	116,-	1218	1218	913	52.19 kg 1.084 m3 7 pcs	
	AR04	178,-	1827	1218	913	70.38 kg 1.54 m3 9 pcs	
	AR05	254,-	1827	1827	913	87.986 kg 1.667 m3 11 pcs	

Extra charge							

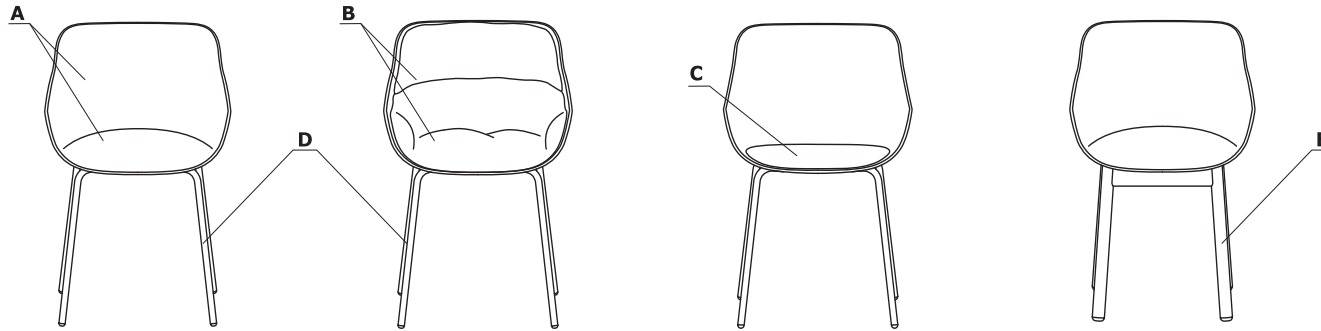
Composition elements							
	Symbol	Price EUR	Dimensions			kg m3 pcs	Comments
			Width	Depth	Height		
	AR1K	88,-	253 252.5	505	360	3.5 kg 0.102 m3 1 pcs	element required to complete the system
	AR1S	102,-	603	505	360	2.91 kg 0.121 m3 1 pcs	element required to connect frames
	ARM07	240,-	150	140	102	3 kg 0.004 m3 2 pcs	230V + 1 x USB charger + 1 x RJ45; power cord 1,5 m; mountable to the frame of the seat in any place along the entire length of the frame
	ES01	172,-	640	640	150	9 kg 0.253 m3 1 pcs	seat
	ES02	396,-	640	640	305	0 kg 0 m3 0 pcs	seat with backrest
	ES03	308,-	580	580	19	7 kg 0.014 m3 1 pcs	MDF table
	ES04	965,-	580	580	557	18 kg 0.029 m3 2 pcs	MDF bookshelf

Extra charge							
III Price group	IV price group						
33,-	56,-						
62,-	110,-						

Screens							
	Symbol	Price EUR	Dimensions			kg m3 pcs	Comments
			Width	Depth	Height		
	AP01	865,-	1229	289	880	10.8 kg 0.347 m3 1 pcs	
	AP02	650,-	630	291	880	6.5 kg 0.229 m3 1 pcs	
Meeting cubicles							
	AR08B	4550,-	2218	1330	1504	224 kg 4.437 m3 1 pcs	

Extra charge							
III Price group	IV price group	Table	TV stand				
102,-	174,-						
74,-	146,-						
760,-	1305,-	364,-	605,-				

Colour combination - Baltic



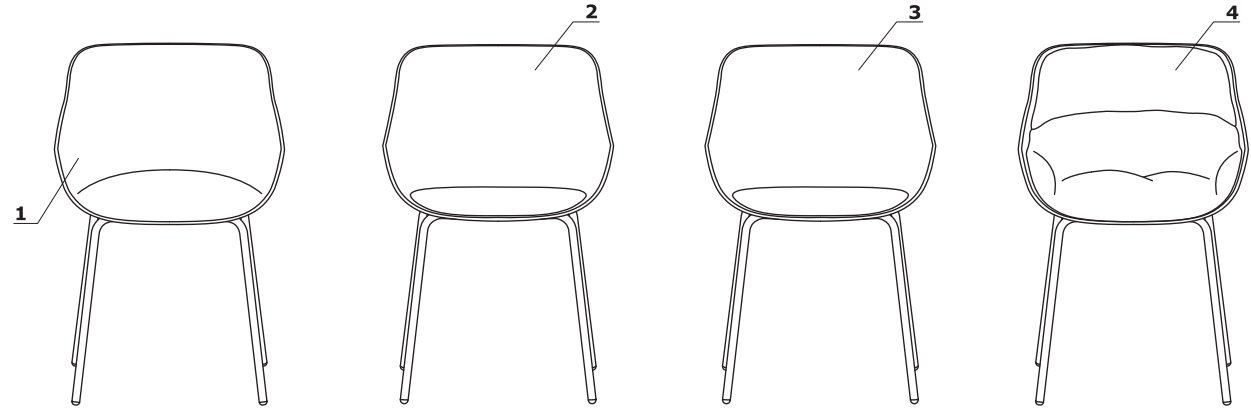
Material	Colour	Baltic																
		A - Seat - polypropylene	B - Draped cushion	C - Cushion	D - Base	E - Base - wooden leg												
Fabric	Medley		✓	✓														
	**Atlantic		✓	✓														
	Vita		✓	✓														
	****Charles		✓	✓														
	Go Check		✓	✓														
	Mica		✓	✓														
	*Customer's own fabric		III group	III group														
	Synergy		III group	III group														
	***Silvertex		III group	III group														
	Tessa		III group	III group														
	Oceanic		III group	III group														
	Quest		III group	III group														
	Grain		III group	III group														
	Atlas		IV group	IV group														
	Leather		IV group	IV group														
Wood	Beech					✓												
	Black					✓												

* Employing the customer's fabric requires running upholstery tests in order to check the possibility of realisation. *** There is a possibility of ordering the product in full colour spectrum of Silvertex range, as per Spradling's pattern book, within 15 working days.
 ** There is a possibility of ordering the product in full colour spectrum of Atlantic range, as per Gabriel's pattern book, within 8 weeks **** There is a possibility of ordering the product in full colour spectrum of Charles range, as per Dekoma pattern book, within the standard delivery time.

Material	Colour	Baltic																
		A - Seat - polypropylene	B - Draped cushion	C - Cushion	D - Base	E - Base - wooden leg												
Metal	M013 - burgundy semi-matt RAL 3007				✓													
	M015 - white semi-matt RAL 9010				✓													
	M026 - olive semi-matte RAL 6013				✓													
	M028 - brick red semi-matte RAL 0404040				✓													
	M029 - yellow semi-matte RAL 0807060				✓													
	M030 - beige semi-matte RAL 0608005				✓													
	M115 - black semi-matt RAL 9005				✓													
	M154 - anthracite semi-matt RAL 7043				✓													
Polypropylene	Black RAL 9005	✓																
	White RAL 9010	✓																
	Anthracite RAL 7043	✓																
	Olive RAL 6013	✓																
	Beige RAL 0608005	✓																
	yellow RAL 0807060	✓																
	Burgundy RAL 3007	✓																
	Brick red semi-matte RAL 0404040	✓																

Technical specification

- 1 **Baltic Basic** - seat polypropylene
- 2 **Baltic Remix** - seat polypropylene + cushion - moulded foam, density of 50 kg/m³, upholstered
- 3 **Baltic Classic** - seat upholstered + cushion - moulded foam, density of 50 kg/m³, upholstered
- 4 **Baltic Soft Duo** - seat upholstered + draped cushion - cut foam, density of 40 kg/m³, upholstered



- max. load 120 kg

Bases

"

BL1P1/ BL3P1/ BL4P1/ BL5P1:

- 4 - legged, metal, powder coated
- legs made of tube Ø18 mm
- polypropylene feet



**BL1P1
BL3P1
BL4P1
BL5P1**

"

BL1P13/ BL3P13/ BL4P13/ BL5P13:

- 4 - star, metal, powder coated
- swivel seat - 360°
- legs made of tube Ø22 mm
- polypropylene feet



**BL1P13
BL3P13
BL4P13
BL5P13**

"

BL1P13K/ BL3P13K/ BL4P13K/ BL5P13K:

- 4 - star, metal, powder coated
- swivel seat - 360°
- legs made of tube Ø22 mm
- castors for soft floors
- OPTION WITH EXTRA CHARGE - castors for hard floors



**BL1P13K
BL3P13K
BL4P13K
BL5P13K**

"

BL1P14/ BL3P14/ BL4P14/ BL5P14:

- 4 wooden legs, Ø35 mm
- beechwood coated with transparent varnish



**BL1P14
BL3P14
BL4P14
BL5P14**

"

BL1P4H/ BL5P4H:

- high stool
- frame made of tube Ø18 mm, wall thickness 2 mm, powder coated
- polypropylene feet

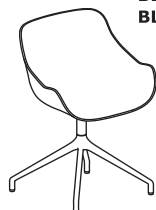


**BL1P4H
BL5P4H**

"

BL1P19/ BL3P19/ BL4P19/ BL5P19:

- 4 - star, aluminum, powder coated
- swivel seat - 360°
- aluminium cast
- legs finished with polypropylene feet

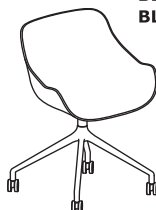


**BL1P19
BL3P19
BL4P19
BL5P19**

"

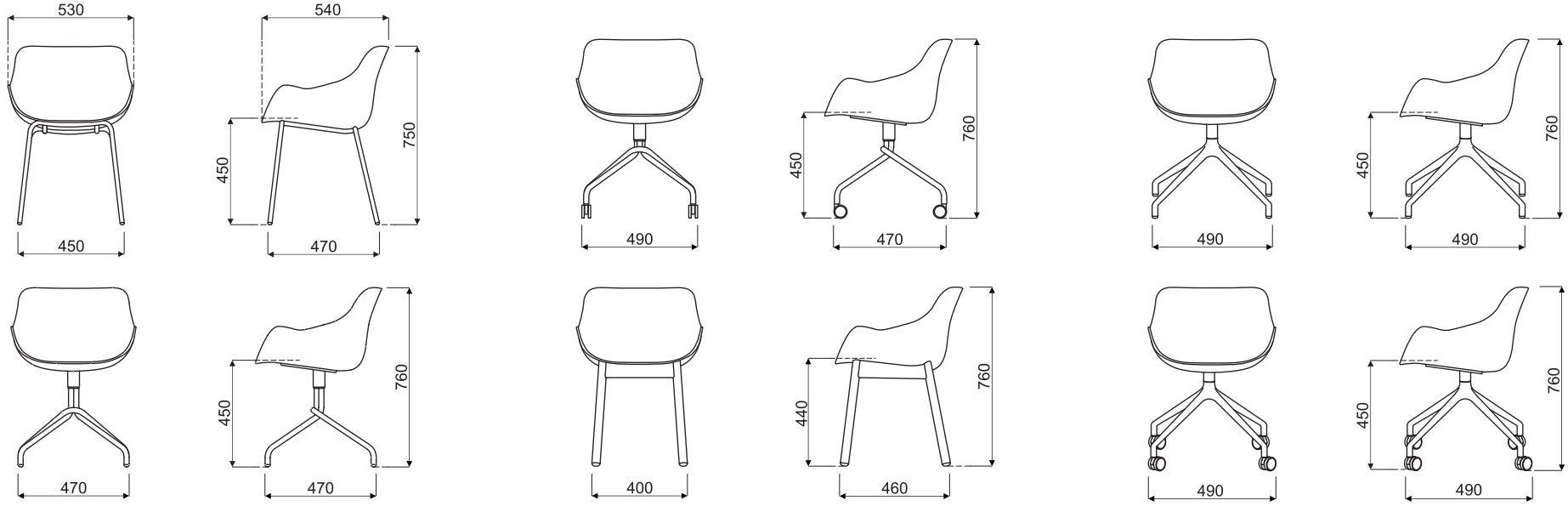
BL1P19K/ BL3P19K/ BL4P19K/ BL5P19K:

- 4 - star, aluminum, powder coated
- swivel seat - 360°
- aluminium cast
- castors for soft floors
- OPTION WITH EXTRA CHARGE - castors for hard floors

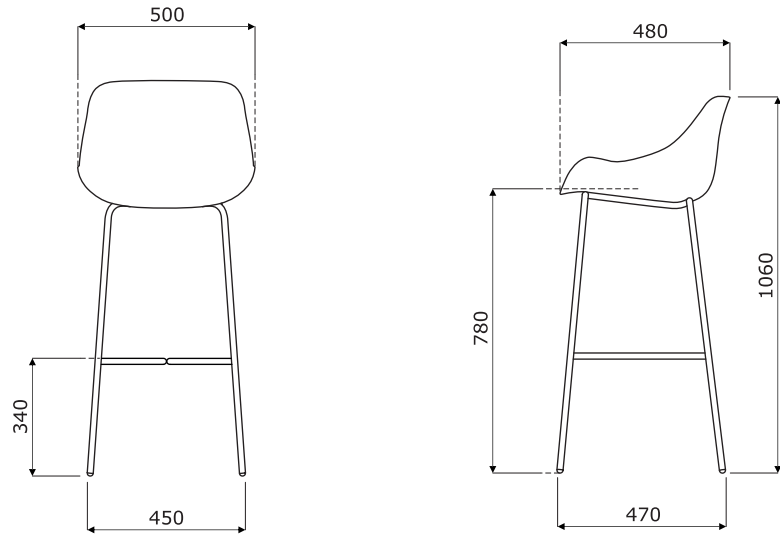









**BL1P19K
BL3P19K
BL4P19K
BL5P19K**

Dimensions (mm)









Dimensions (mm) - high stool









Baltic Basic - seat polypropylene								
	Symbol	Price EUR	Dimensions			kg m3 pcs	Comments	
			Width	Depth	Height			
	BL1P1	182,-	530	540	750	6 kg 0.233 m3 1 pcs	seat polypropylene; max. load - 120 kg	
	BL1P13	250,-	530	540	760	9.7 kg 0.233 m3 1 pcs	seat polypropylene; max. load - 120 kg	
	BL1P13K	254,-	530	540	760	9.5 kg 0.233 m3 1 pcs	seat polypropylene; max. load - 120 kg	
	BL1P14	278,-	530	540	760	8.4 kg 0.233 m3 1 pcs	seat polypropylene; max. load - 120 kg	
	BL1P19	332,-	530	540	760	9.7 kg 0.233 m3 1 pcs	seat polypropylene; max. load - 120 kg	
	BL1P19K	338,-	530	540	760	9.5 kg 0.233 m3 1 pcs	seat polypropylene; max. load - 120 kg	
	BL1P4H	200,-	500	480	1060	6.8 kg 0.257 m3 1 pcs	seat polypropylene; max. load - 120 kg	








Extra charge							
Castors for hard floors							
8,-							
8,-							

Baltic Remix - polypropylene seat + cushion							
	Symbol	Price EUR	Dimensions			kg m3 pcs	Comments
			Width	Depth	Height		
	BL3P1	250,-	530	540	750	6 kg 0.233 m3 1 pcs	polypropylene seat with cushion; max. load - 120 kg
	BL3P13	314,-	530	540	760	10.9 kg 0.233 m3 1 pcs	polypropylene seat with cushion; max. load - 120 kg
	BL3P13K	320,-	530	540	760	8 kg 0.233 m3 1 pcs	polypropylene seat with cushion; max. load - 120 kg
	BL3P14	346,-	530	540	760	6 kg 0.233 m3 1 pcs	polypropylene seat with cushion; max. load - 120 kg
	BL3P19	394,-	530	540	760	10.9 kg 0.233 m3 1 pcs	polypropylene seat with cushion; max. load - 120 kg
	BL3P19K	400,-	530	540	760	8 kg 0.233 m3 1 pcs	polypropylene seat with cushion; max. load - 120 kg

Extra charge							
III Price group	IV price group	Castors for hard floors					
12,-	19,-						
12,-	19,-						
12,-	19,-	8,-					
12,-	19,-						
12,-	19,-						
12,-	19,-	8,-					

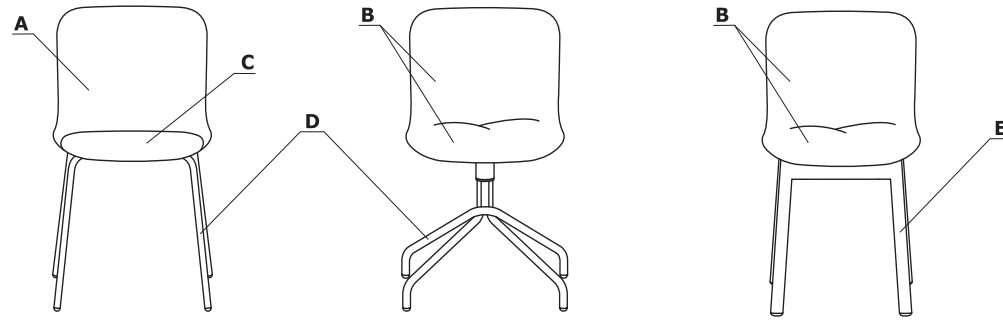
Baltic Classic - seat upholstered + cushion							
	Symbol	Price EUR	Dimensions			kg m3 pcs	Comments
			Width	Depth	Height		
	BL4P1	372,-	530	540	750	6.5 kg 0.233 m3 1 pcs	upholstered seat with cushion; max. load - 120 kg
	BL4P13	438,-	530	540	760	8.5 kg 0.233 m3 1 pcs	upholstered seat with cushion; max. load - 120 kg
	BL4P13K	446,-	530	540	760	11 kg 0.233 m3 1 pcs	upholstered seat with cushion; max. load - 120 kg
	BL4P14	466,-	530	540	760	6.5 kg 0.233 m3 1 pcs	upholstered seat with cushion; max. load - 120 kg
	BL4P19	515,-	533	535	754	8.5 kg 0.233 m3 1 pcs	upholstered seat with cushion; max. load - 120 kg
	BL4P19K	520,-	533	535	754	11 kg 0.233 m3 1 pcs	upholstered seat with cushion; max. load - 120 kg upholstered seat with cushion; max. load - 120 kg

Extra charge						
III Price group	IV price group	Castors for hard floors				
56,-	94,-					
56,-	94,-					
56,-	94,-	8,-				
56,-	94,-					
56,-	94,-					
56,-	94,-	8,-				

Baltic Soft Duo - seat upholstered + draped cushion							
	Symbol	Price EUR	Dimensions			kg m3 pcs	Comments
			Width	Depth	Height		
	BL5P1	364,-	530	540	750	6 kg 0.233 m3 1 pcs	seat upholstered + draped cushion; max. load - 120 kg
	BL5P13	428,-	530	540	760	8 kg 0.233 m3 1 pcs	seat upholstered + draped cushion; max. load - 120 kg
	BL5P13K	436,-	530	540	760	10.8 kg 0.233 m3 1 pcs	seat upholstered + draped cushion; max. load - 120 kg
	BL5P14	456,-	530	540	760	6 kg 0.233 m3 1 pcs	seat upholstered + draped cushion; max. load - 120 kg
	BL5P19	505,-	533	535	754	8 kg 0.233 m3 1 pcs	seat upholstered + draped cushion; max. load - 120 kg
	BL5P19K	510,-	533	535	754	10.8 kg 0.233 m3 1 pcs	seat upholstered + draped cushion; max. load - 120 kg
	BL5P4H	360,-	500	480	1060	6.8 kg 0.257 m3 1 pcs	seat upholstered + draped cushion; max. load - 120 kg

Extra charge						
III Price group	IV price group	Castors for hard floors				
60,-	100,-					
60,-	100,-					
60,-	100,-	8,-				
60,-	100,-					
60,-	100,-					
60,-	100,-	8,-				
48,-	84,-					

Colour combination - Baltic 2



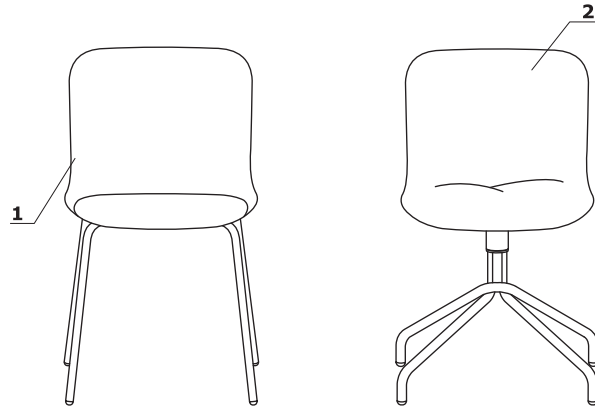
Material	Colour	Baltic 2																
		A - Seat upholstered	B - Draped cushion	C - Pillow	D - Base	E - Base - wooden leg												
Fabric	Medley	✓	✓	✓														
	**Atlantic	✓	✓	✓														
	Vita	✓	✓	✓														
	****Charles	✓	✓	✓														
	Go Check	✓	✓	✓														
	Mica	✓	✓	✓														
	*Customer's own fabric	III group ✓	III group ✓	III group ✓														
	Synergy	III group ✓	III group ✓	III group ✓														
	***Silvertex	III group ✓	III group ✓	III group ✓														
	Tessa	III group ✓	III group ✓	III group ✓														
	Oceanic	III group ✓	III group ✓	III group ✓														
	Quest	III group ✓	III group ✓	III group ✓														
	Grain	III group ✓	III group ✓	III group ✓														
	Atlas	IV group ✓	IV group ✓	IV group ✓														
	Leather	IV group ✓	IV group ✓	IV group ✓														
Wood	Beech					✓												
	Black					✓												

* Employing the customer's fabric requires running upholstery tests in order to check the possibility of realisation. *** There is a possibility of ordering the product in full colour spectrum of Silvertex range, as per Spradling's pattern book, within 15 working days.
 ** There is a possibility of ordering the product in full colour spectrum of Atlantic range, as per Gabriel's pattern book, within 8 weeks **** There is a possibility of ordering the product in full colour spectrum of Charles range, as per Dekoma pattern book, within the standard delivery time.

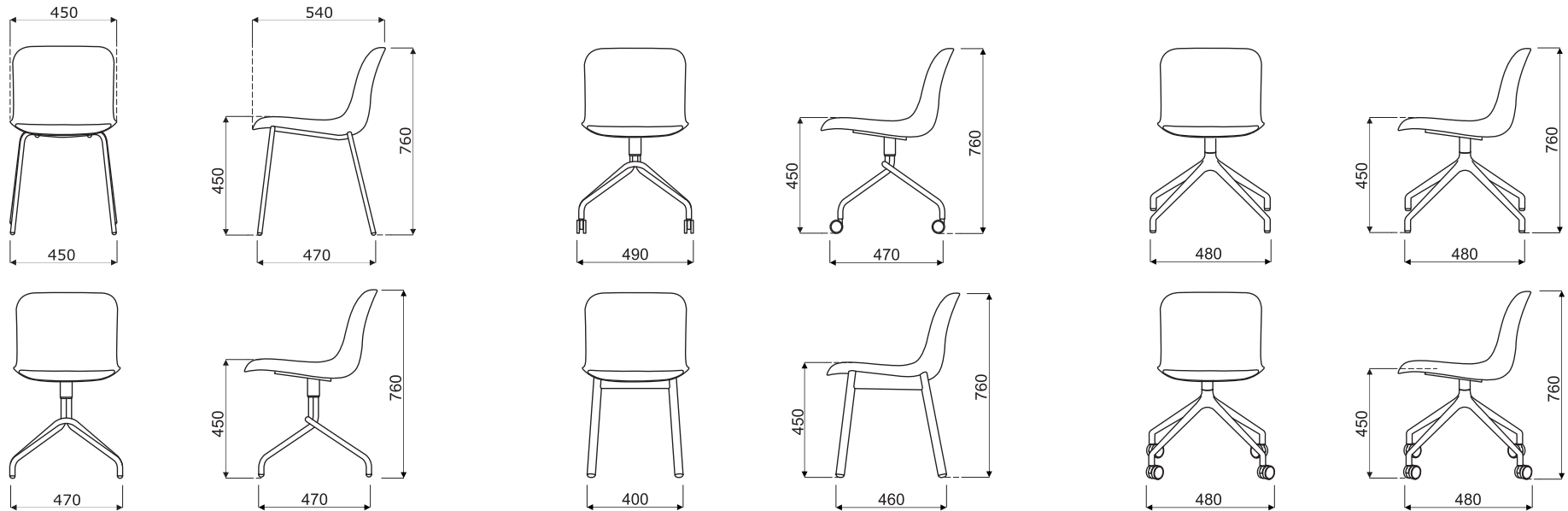
Material	Colour	Baltic 2																
		A - Seat upholstered	B - Draped cushion	C - Pillow	D - Base	E - Base - wooden leg												
Metal	M013 - burgundy semi-matt RAL 3007				✓													
	M015 - white semi-matt RAL 9010				✓													
	M026 - olive semi-matte RAL 6013				✓													
	M028 - brick red semi-matte RAL 0404040				✓													
	M029 - yellow semi-matte RAL 0807060				✓													
	M030 - beige semi-matte RAL 0608005				✓													
	M115 - black semi-matt RAL 9005				✓													
	M154 - anthracite semi-matt RAL 7043				✓													

Technical specification

- 1 Baltic 2 Classic** - seat upholstered + cushion - moulded foam, density of 50 kg/m³, upholstered
- 2 Baltic 2 Soft Duo** - seat upholstered + draped cushion - cut foam, density of 40 kg/m³, upholstered



Dimensions (mm)



Bases

1 BLK4P1/ BLK5P1:

- 4 - legged, metal, powder coated
- legs made of tube Ø18 mm
- polypropylene feet



**BLK4P1
BLK5P1**

2 BLK4P13/ BLK5P13:

- 4 - star, metal, powder coated
- swivel seat - 360°
- legs made of tube Ø22 mm
- polypropylene feet



**BLK4P13
BLK5P13**

3 BLK4P13K/ BLK5P13K:

- 4 - star, metal, powder coated
- swivel seat - 360°
- legs made of tube Ø22 mm
- castors for soft floors
- OPTION WITH EXTRA CHARGE - castors for hard floors



**BLK4P13K
BLK5P13K**

4 BLK4P14/ BLK5P14:

- 4 wooden legs, Ø35 mm
- beechwood coated with transparent varnish



**BLK4P14
BLK5P14**

BLK4P19/ BLK5P19:

- 4 - star, aluminum, powder coated
- swivel seat - 360°
- aluminium cast
- legs finished with polypropylene feet









**BLK4P19
BLK5P19**







BLK4P19K/ BLK5P19K:

- 4 - star, aluminum, powder coated
- swivel seat - 360°
- aluminium cast
- castors for soft floors
- OPTION WITH EXTRA CHARGE - castors for hard floors



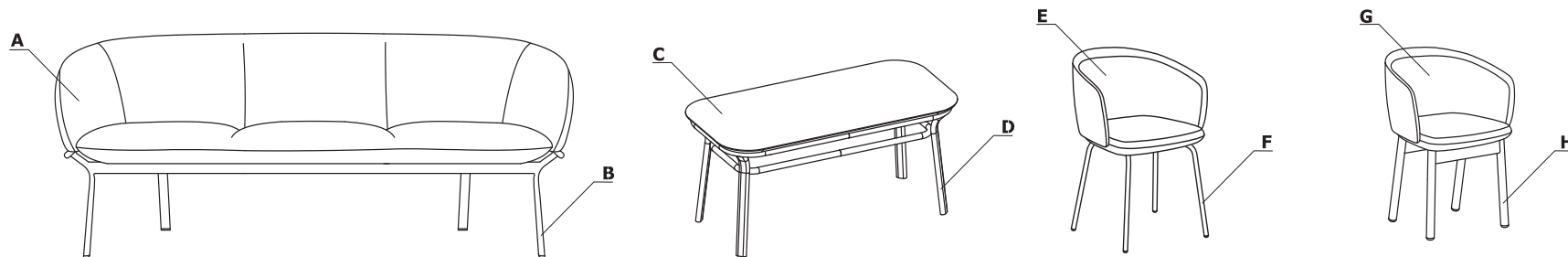
**BLK4P19K
BLK5P19K**

Baltic 2 Classic - seat upholstered + cushion																	
	Symbol	Price EUR	Dimensions			kg m3 pcs	Comments	Extra charge									
			Width	Depth	Height			III Price group	IV price group	Castors for hard floors							
	BLK4P1	362,-	450	540	760	6 kg 0.199 m3 1 pcs	upholstered seat with cushion; max. load - 120 kg	46,-	80,-								
	BLK4P13	428,-	470	540	760	7.5 kg 0.212 m3 1 pcs	upholstered seat with cushion; max. load - 120 kg	46,-	80,-								
	BLK4P13K	436,-	490	540	760	7.5 kg 0.212 m3 1 pcs	upholstered seat with cushion; max. load - 120 kg	46,-	80,-	8,-							
	BLK4P14	456,-	450	540	760	5.5 kg 0.199 m3 1 pcs	upholstered seat with cushion; max. load - 120 kg	46,-	80,-								
	BLK4P19	505,-	480	540	760	7.5 kg 0.212 m3 1 pcs	upholstered seat with cushion; max. load - 120 kg	46,-	80,-								
	BLK4P19K	510,-	480	540	760	7.5 kg 0.212 m3 1 pcs	upholstered seat with cushion; max. load - 120 kg	46,-	80,-	8,-							

Baltic 2 Soft Duo - seat upholstered + draped cushion							
	Symbol	Price EUR	Dimensions			kg m3 pcs	Comments
			Width	Depth	Height		
	BLK5P1	354,-	535	452	760	6 kg 0.199 m3 1 pcs	seat upholstered + draped cushion; max. load - 120 kg
	BLK5P13	418,-	535	473	764	7.5 kg 0.212 m3 1 pcs	seat upholstered + draped cushion; max. load - 120 kg
	BLK5P13K	426,-	535	488	757	7.5 kg 0.212 m3 1 pcs	seat upholstered + draped cushion; max. load - 120 kg
	BLK5P14	446,-	535	451	759	6 kg 0.199 m3 1 pcs	seat upholstered + draped cushion; max. load - 120 kg
	BLK5P19	494,-	535	473	764	7.5 kg 0.212 m3 1 pcs	
	BLK5P19K	500,-	535	488	757	7.5 kg 0.212 m3 1 pcs	seat upholstered + draped cushion; max. load - 120 kg

Extra charge						
III Price group	IV price group	Castors for hard floors				
50,-	86,-					
50,-	86,-					
50,-	86,-	8,-				
50,-	86,-					
50,-	86,-					
50,-	86,-	8,-				

Colour combination - Grace



Material	Colour	GR01, GR02, GR03		GR01S, GR02S		GRP4, GRP4K, GRP5		GRP9							
		A - Seat	B - Base	C - Top	D - Base	E - Seat	F - Base	G - Seat	H - Base - wooden leg						
Fabric	Medley	✓				✓		✓	✓						
	**Atlantic	✓				✓		✓	✓						
	Vita	✓				✓		✓	✓						
	****Charles	✓				✓		✓	✓						
	Go Check	✓				✓		✓	✓						
	Mica	✓				✓		✓	✓						
	*Customer's own fabric	III group					III group		III group	III group					
	Synergy	III group					III group		III group	III group					
	***Silvertex	III group					III group		III group	III group					
	Tessa	III group					III group		III group	III group					
	Oceanic	III group					III group		III group	III group					
	Quest	III group					III group		III group	III group					
	Grain	III group					III group		III group	III group					
	Atlas	IV group					IV group		IV group	IV group					
	Leather	IV group					IV group		IV group	IV group					

* Employing the customer's fabric requires running upholstery tests in order to check the possibility of realisation.

*** There is a possibility of ordering the product in full colour spectrum of Silvertex range, as per Spradling's pattern book, within 15 working days.

** There is a possibility of ordering the product in full colour spectrum of Atlantic range, as per Gabriel's pattern book, within 8 weeks

**** There is a possibility of ordering the product in full colour spectrum of Charles range, as per Dekoma pattern book, within the standard delivery time.

Material	Colour	GR01, GR02, GR03		GR01S, GR02S		GRP4, GRP4K, GRP5		GRP9							
		A - Seat	B - Base	C - Top	D - Base	E - Seat	F - Base	G - Seat	H - Base - wooden leg						
Metal	M010 - light grey semi-matt RAL 7044		✓		✓		✓								
	M011 - dark grey semi-matt RAL 7042		✓		✓		✓								
	M012 - dark green semi-matt RAL 6012		✓		✓		✓								
	M013 - burgundy semi-matt RAL 3007		✓		✓		✓								
	M014 - red semi-matt RAL 3016		✓		✓		✓								
	M016 - pearl white semi-matt RAL 1013		✓		✓		✓								
	M026 - olive semi-matte RAL 6013		✓		✓		✓								
	M027 - blue semi-matte RAL5003		✓		✓		✓								
	M028 - brick red semi-matte RAL 0404040		✓		✓		✓								
	M029 - yellow semi-matte RAL 0807060		✓		✓		✓								
	M030 - beige semi-matte RAL 0608005		✓		✓		✓								
	M115 - black semi-matt RAL 9005		✓		✓		✓								
	M154 - anthracite semi-matt RAL 7043		✓		✓		✓								
	Wood	Black								✓					
Beech									✓						
Veneer	M023 - White pearl RAL 1013			✓											
	M020 - Burgundy RAL 3007			✓											
	M022 - Black RAL 9005			✓											
	M025 - Light ash			✓											

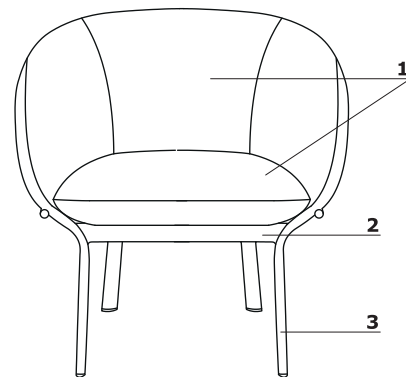
* Employing the customer's fabric requires running upholstery tests in order to check the possibility of realisation.

*** There is a possibility of ordering the product in full colour spectrum of Silvertex range, as per Spradling's pattern book, within 15 working days.

** There is a possibility of ordering the product in full colour spectrum of Atlantic range, as per Gabriel's pattern book, within 8 weeks

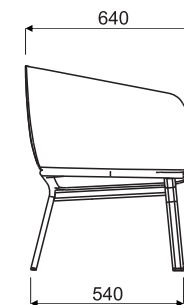
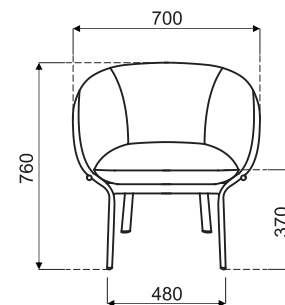
Technical specification

- 1 Seat, backrest** - moulded foam, density of 65 kg/m³, upholstered
- 2 Base** - oval-shaped profile 40 × 20 × 2 mm, tube Ø22 mm, wall thickness 2 mm, CNC-bent, powder coated
- 3 Legs** - finished with material feet, colour: black

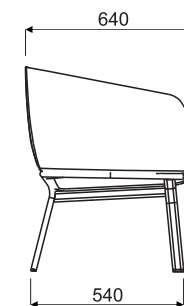
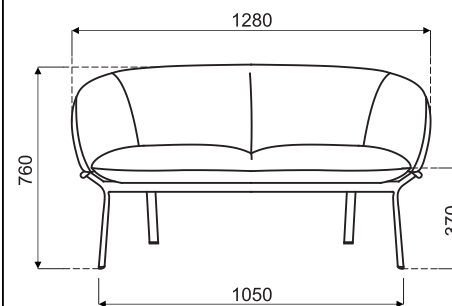


- max. load 120 kg

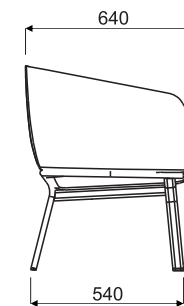
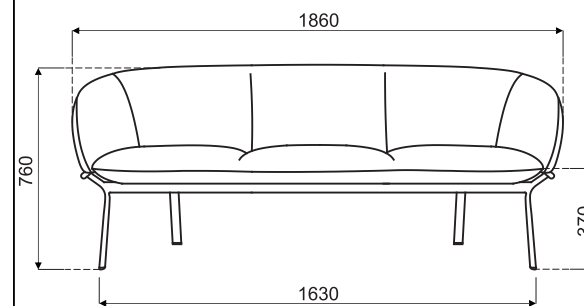
Dimensions (mm)



GR01



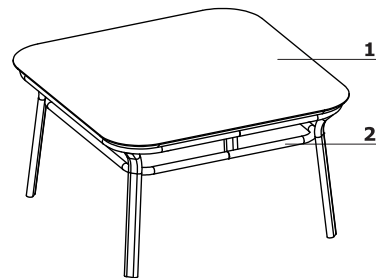
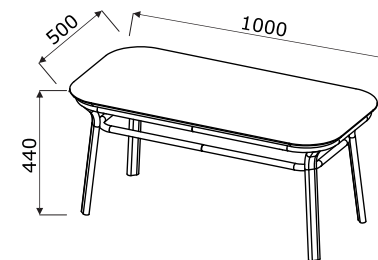
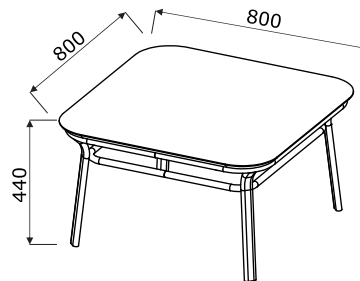
GR02



GR03

Technical specification - tables

- 1 **Top** - MDF 19mm, natural veneer
- 2 **Frame** - oval-shaped profile 40 × 20 × 2 mm, tube Ø22 mm, wall thickness 2 mm, CNC-bent, powder coated

**Dimensions (mm)**

Chairs - bases

Seat, backrest - moulded foam (seat - density of 58 kg/m³, backrest - density of 60 kg/m³), upholstered

Base GRP19:

- 4 - star, aluminum, powder coated
- swivel seat - 360°
- aluminium cast
- legs finished with polypropylene feet

Base GRP19K:

- 4 - star, aluminum, powder coated
- swivel seat - 360°
- aluminium cast
- castors for soft floors
- OPTION WITH EXTRA CHARGE - castors for hard floors

Base GRP5:

- 4 - legged, metal, powder coated
- legs made of tube Ø18 mm
- legs finished with polypropylene feet

Base GRP9:

- 4 wooden legs, Ø35 mm
- beechwood coated with transparent varnish



GRP19



GRP19K

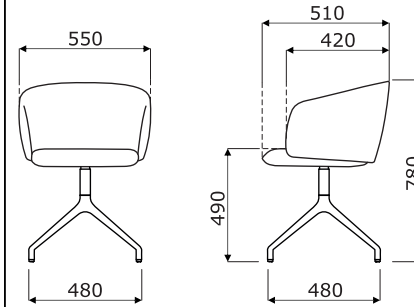


GRP5

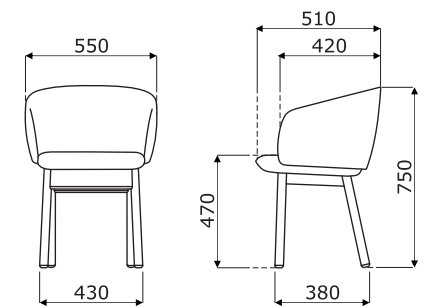


GRP9

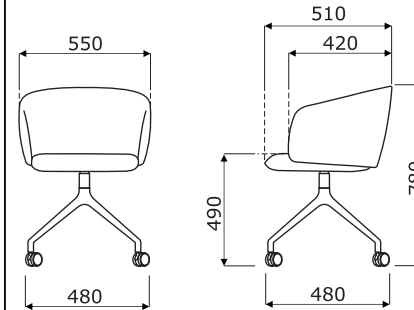
Dimensions (mm)



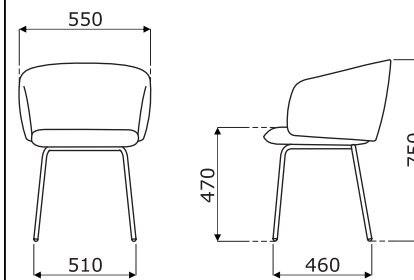
GRP19



GRP9



GRP19K



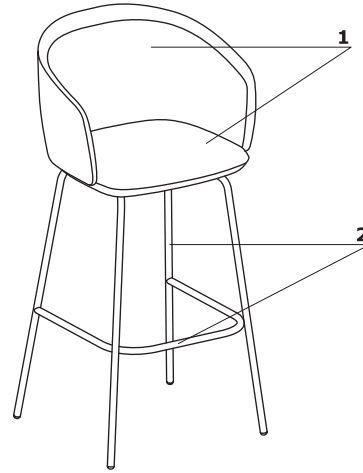
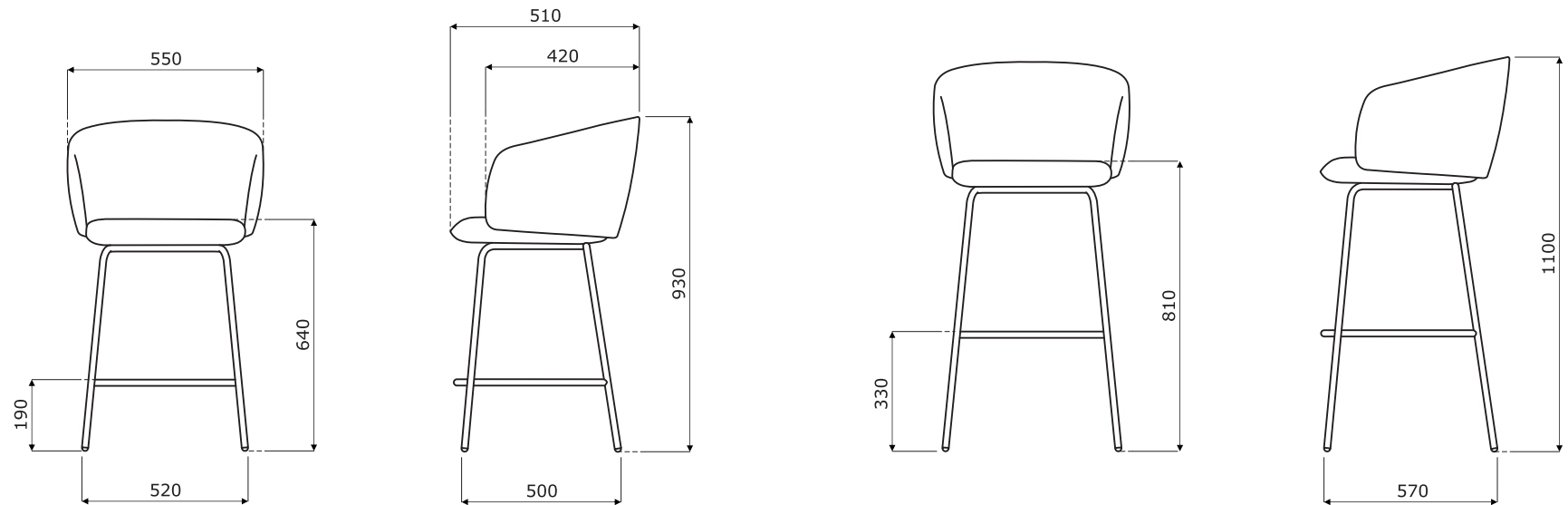
GRP5








Technical specification - high stool

1 Seat, backrest - moulded foam (seat - density of 58 kg/m³, backrest - density of 60 kg/m³), upholstered





2 Base:

- 4 - legged, metal, powder coated
- legs made of tube Ø18 mm
- legs with glides

**Dimensions (mm) - high stool**

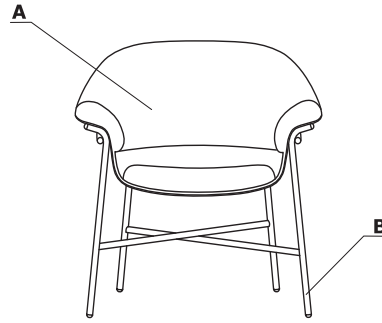
Grace							
	Symbol	Price EUR	Dimensions			kg m3 pcs	Comments
			Width	Depth	Height		
	GR01	735,-	700	640	760	20.6 kg 0.408 m3 1 pcs	
	GR02	1135,-	1280	640	760	31 kg 0.729 m3 1 pcs	
	GR03	1380,-	1860	640	760	42.5 kg 1.049 m3 1 pcs	
	GRP19	510,-	550	510	780	15.3 kg 0.245 m3 1 pcs	
	GRP19K	520,-	550	510	780	15.7 kg 0.245 m3 1 pcs	
	GRP5	422,-	550	510	760	13.3 kg 0.236 m3 1 pcs	
	GRP9	450,-	550	510	750	19 kg 0.24 m3 1 pcs	

Extra charge							
III Price group	IV price group						
66,-	122,-						
98,-	174,-						
132,-	244,-						
50,-	88,-						
50,-	88,-						
50,-	88,-						
50,-	88,-						

Grace							
	Symbol	Price EUR	Dimensions			kg m3 pcs	Comments
			Width	Depth	Height		
	GRP7	462,-	550	510	930	14.3 kg 0.29 m3 1 pcs	
	GRP8	476,-	550	570	1100	14.9 kg 0.338 m3 1 pcs	
	GR01S	505,-	800	800	440	27.5 kg 0.357 m3 2 pcs	
	GR02S	446,-	1000	500	440	22.8 kg 0.284 m3 2 pcs	

Extra charge							
III Price group	IV price group						
50,-	88,-						
50,-	88,-						

Colour combination - Ismo



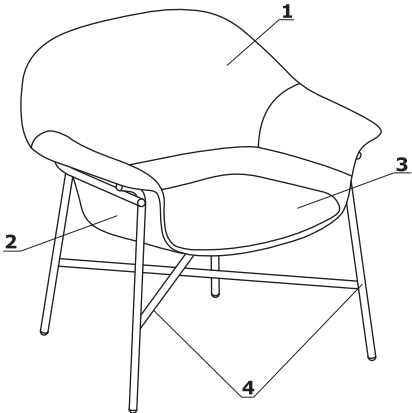
Material	Colour	ISMO														
		A - Seat	B - Base													
Fabric	**Atlantic	✓														
	Medley	✓														
	Mica	✓														
	Go Check	✓														
	****Charles	✓														
	Synergy	III group ✓														
	***Silvertex	III group ✓														
	Tessa	III group ✓														
	Oceanic	III group ✓														
	Quest	III group ✓														
	Grain	III group ✓														
	*Customer's own fabric	III group ✓														
	Atlas	IV group ✓														

* Employing the customer's fabric requires running upholstery tests in order to check the possibility of realisation. *** There is a possibility of ordering the product in full colour spectrum of Silvertex range, as per Spradling's pattern book, within 15 working days.
 ** There is a possibility of ordering the product in full colour spectrum of Atlantic range, as per Gabriel's pattern book, within 8 weeks **** There is a possibility of ordering the product in full colour spectrum of Charles range, as per Dekoma pattern book, within the standard delivery time.

Material	Colour	ISMO														
		A - Seat	B - Base													
Metal	M010 - light grey semi-matt RAL 7044		✓													
	M012 - dark green semi-matt RAL 6012		✓													
	M013 - burgundy semi-matt RAL 3007		✓													
	M014 - red semi-matt RAL 3016		✓													
	M016 - pearl white semi-matt RAL 1013		✓													
	M026 - olive semi-matte RAL 6013		✓													
	M027 - blue semi-matte RAL5003		✓													
	M028 - brick red semi-matte RAL 0404040		✓													
	M029 - yellow semi-matte RAL 0807060		✓													
	M030 - beige semi-matte RAL 0608005		✓													
	M115 - black semi-matt RAL 9005		✓													
	M154 - anthracite semi-matt RAL 7043		✓													

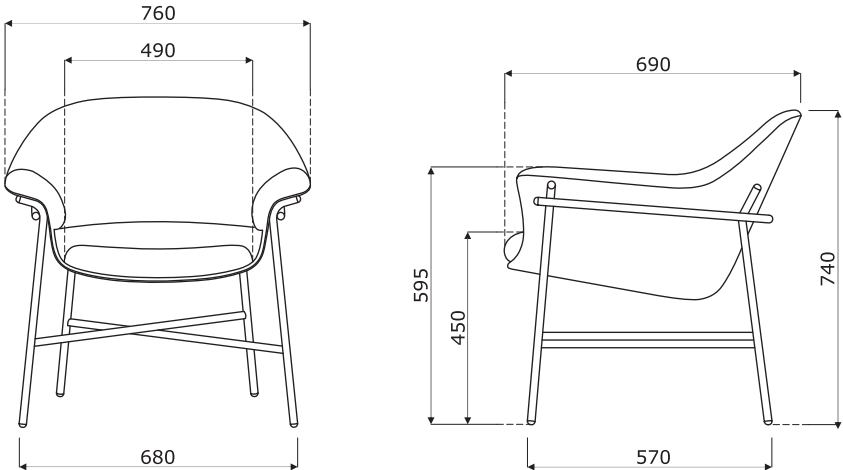
Technical specification


- 1 Backrest** - cut foam, density of 35 kg/m³, upholstered
- 2 Body** - polyester-glass laminate, 7 mm, upholstered
- 3 Cushion** - moulded foam, velcro fastening, upholstered
- 4 Base** - frame Ø18 mm, wall thickness 2 mm, powder coated, finished with material feet



- max. load 120 kg

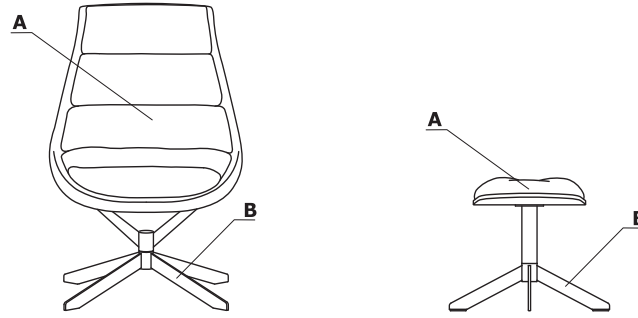
Dimensions (mm)



Ismo							
	Symbol	Price EUR	Dimensions			kg m3 pcs	Comments
			Width	Depth	Height		
	IS01	1225,-	750	680	730	15 kg 0.388 m3 1 pcs	

Extra charge						
III Price group	IV price group					
82,-	140,-					

Colour combination - Fat Frank



Material	Colour	FAT FRANK													
		A - Seat	B - Base												
Fabric	**Atlantic	✓													
	****Charles	✓													
	Go Check	✓													
	Mica	✓													
	*Customer's own fabric	III group	✓												
	Synergy	III group	✓												
	***Silvertex	III group	✓												
	Tessa	III group	✓												
	Oceanic	III group	✓												
	Quest	III group	✓												
	Grain	III group	✓												
	Atlas	IV group	✓												
	Leather	IV group	✓												

* Employing the customer's fabric requires running upholstery tests in order to check the possibility of realisation.

** There is a possibility of ordering the product in full colour spectrum of Atlantic range, as per Gabriel's pattern book, within 8 weeks

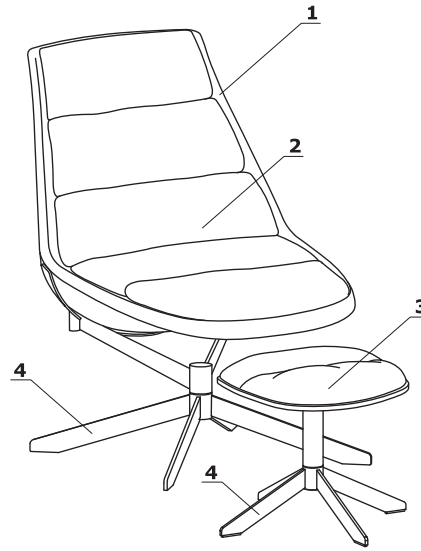
*** There is a possibility of ordering the product in full colour spectrum of Silvertex range, as per Spradling's pattern book, within 15 working days.

**** There is a possibility of ordering the product in full colour spectrum of Charles range, as per Dekoma pattern book, within the standard delivery time.

Material	Colour	FAT FRANK													
		A - Seat	B - Base												
Metal	M010 - light grey semi-matt RAL 7044		✓												
	M011 - dark grey semi-matt RAL 7042		✓												
	M012 - dark green semi-matt RAL 6012		✓												
	M013 - burgundy semi-matt RAL 3007		✓												
	M014 - red semi-matt RAL 3016		✓												
	M016 - pearl white semi-matt RAL 1013		✓												
	M026 - olive semi-matte RAL 6013		✓												
	M027 - blue semi-matte RAL5003		✓												
	M028 - brick red semi-matte RAL 0404040		✓												
	M029 - yellow semi-matte RAL 0807060		✓												
	M030 - beige semi-matte RAL 0608005		✓												
	M115 - black semi-matt RAL 9005		✓												

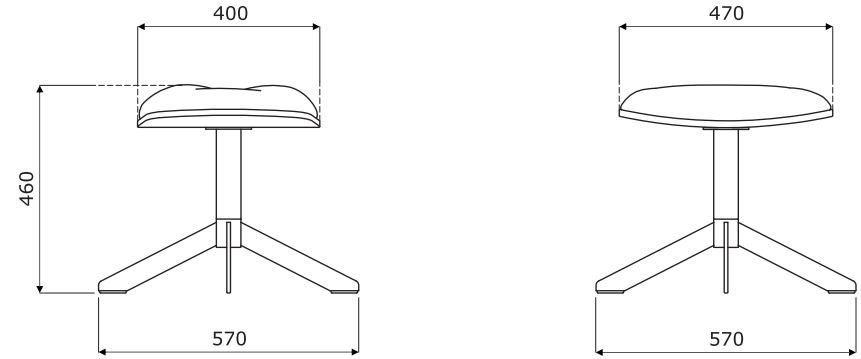
Technical specification

- 1 Seat** - metal frame filled with foam, density of 55 kg/m³, upholstered
- 2 Cushion** - plumage + polyurethane foam, upholstered
- 3 Footrest** - powder coated metal; seat - plywood + cushion - plumage + polyurethane foam, upholstered
- 4 Base:**
 - 4 - star, metal, powder coated
 - swivel seat - 360°
 - legs finished with polypropylene feet

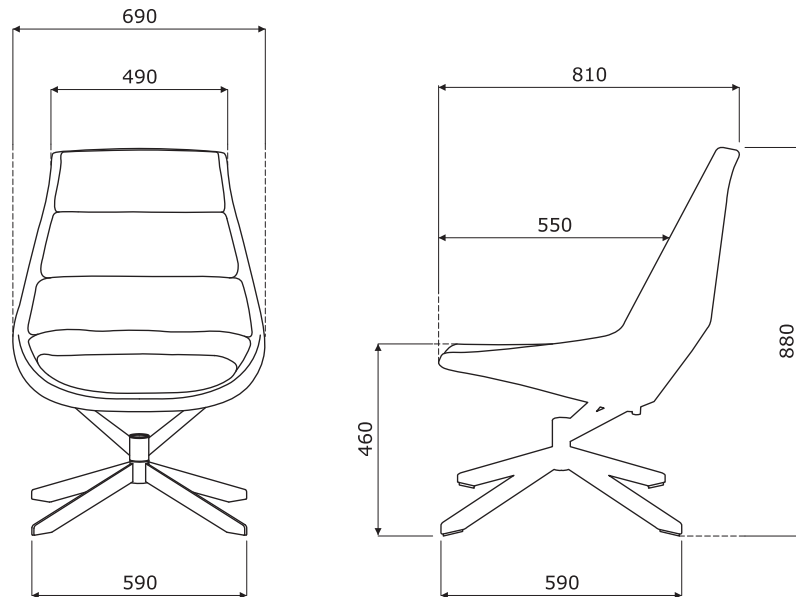




- max. load 120 kg

Dimensions (mm)



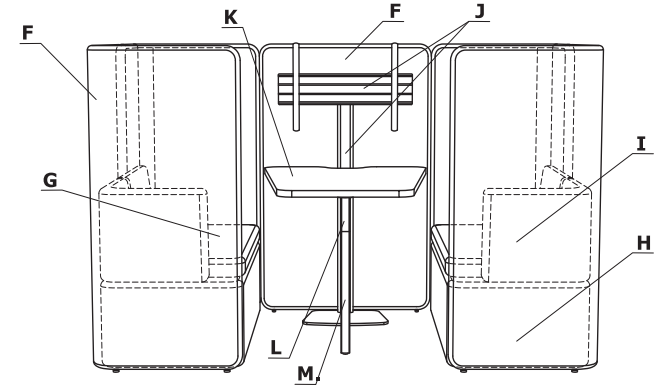
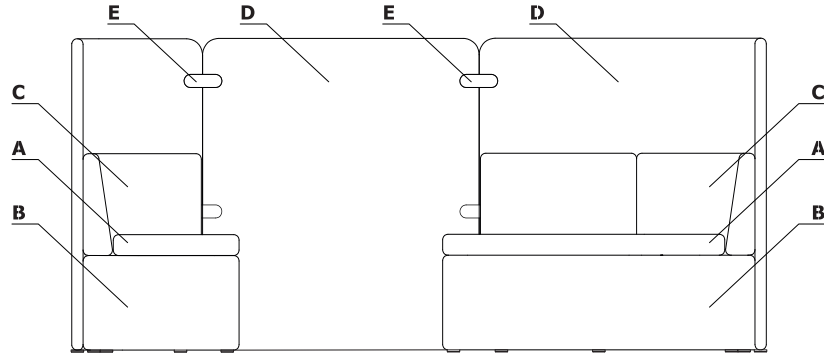
Dimensions (mm)



FAT FRANK							
	Symbol	Price EUR	Dimensions			kg m3 pcs	Comments
			Width	Depth	Height		
	F04	1215,-	690	810	880	26.8 kg 0.579 m3 1 pcs	
	F06	326,-	570	570	460	8 kg 0.153 m3 1 pcs	

Extra charge						
III Price group	IV price group					
116,-	194,-					
36,-	60,-					

Colour combination - Kaiva



Material	Colour	KAIVA					Meeting cubicles								
		A - Seat	B - Base	C - Back	D - Screen	E - Connecting element	F - Screen	G - Seat	H - Base	I - Back	J - TV stand	K - Top	L - Metal element	M - Base - wooden leg	
Fabric	Medley	✓	✓	✓	✓		✓	✓	✓	✓					
	**Atlantic	✓	✓	✓	✓		✓	✓	✓	✓					
	Vita	✓	✓	✓	✓		✓	✓	✓	✓					
	***Charles	✓	✓	✓	✓		✓	✓	✓	✓					
	Go Check	✓	✓	✓	✓		✓	✓	✓	✓					
	Mica	✓	✓	✓	✓		✓	✓	✓	✓					
	*Customer's own fabric	III group ✓	III group ✓	III group ✓	III group ✓		III group ✓	III group ✓	III group ✓	III group ✓					
	Synergy	III group ✓	III group ✓	III group ✓	III group ✓		III group ✓	III group ✓	III group ✓	III group ✓					
	***Silvertex	III group ✓	III group ✓	III group ✓	III group ✓		III group ✓	III group ✓	III group ✓	III group ✓					
	Tessa	III group ✓	III group ✓	III group ✓	III group ✓		III group ✓	III group ✓	III group ✓	III group ✓					
	Oceanic	III group ✓	III group ✓	III group ✓	III group ✓		III group ✓	III group ✓	III group ✓	III group ✓					
	Quest	III group ✓	III group ✓	III group ✓	III group ✓		III group ✓	III group ✓	III group ✓	III group ✓					
	Grain	III group ✓	III group ✓	III group ✓	III group ✓		III group ✓	III group ✓	III group ✓	III group ✓					
	Atlas	IV group ✓	IV group ✓	IV group ✓	IV group ✓		IV group ✓	IV group ✓	IV group ✓	IV group ✓					
	Leather	IV group ✓	IV group ✓	IV group ✓	IV group ✓		IV group ✓	IV group ✓	IV group ✓	IV group ✓					

* Employing the customer's fabric requires running upholstery tests in order to check the possibility of realisation.

** There is a possibility of ordering the product in full colour spectrum of Atlantic range, as per Gabriel's pattern book, within 8 weeks

*** There is a possibility of ordering the product in full colour spectrum of Silvertex range, as per Spradling's pattern book, within 15 working days.

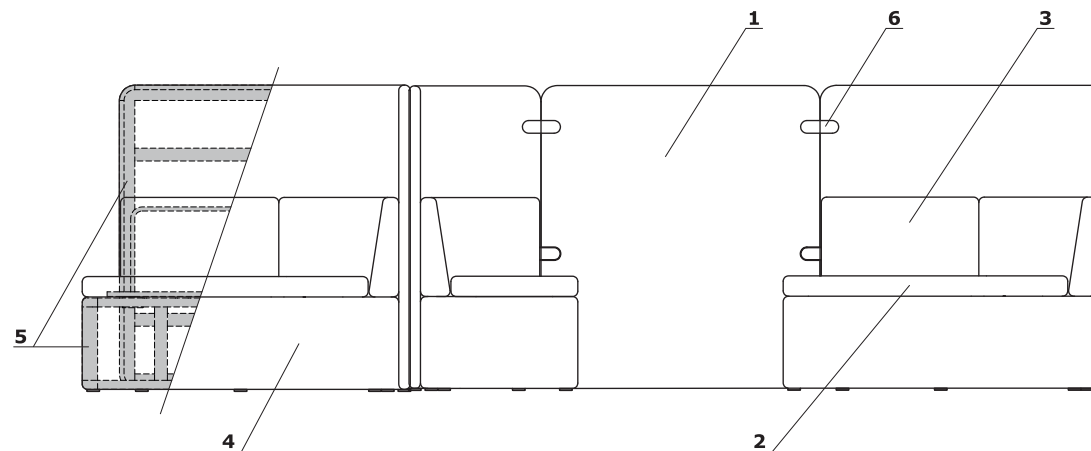
**** There is a possibility of ordering the product in full colour spectrum of Charles range, as per Dekoma pattern book, within the standard delivery time.

Material	Colour	KAIVA					Meeting cubicles								
		A - Seat	B - Base	C - Back	D - Screen	E - Connecting element	F - Screen	G - Seat	H - Base	I - Back	J - TV stand	K - Top	L - Metal element	M - Base - wooden leg	
MFC	26 - aluminum satinato											✓			
	31 - canadian oak											✓			
	39 - polar birch											✓			
	64 - cocoa											✓			
	67 - white pastel											✓			
	106 - lowland walnut											✓			
	154 - anthracite											✓			
	08 - black											✓			
	167 - grey oak											✓			
	168 - natural oak											✓			
	169 - honey oak											✓			
	170 - acacia											✓			
	171 - dark walnut											✓			
	Natural ash													✓	
	Black										✓				
Metal	M009 - aluminium semi-matt RAL 9006												✓		
	M015 - white semi-matt RAL 9010												✓		
	M115 - black semi-matt RAL 9005												✓		
	M154 - anthracite semi-matt RAL 7043					✓							✓		

* the colour of desk legs may differ depending on natural wood ring pattern.

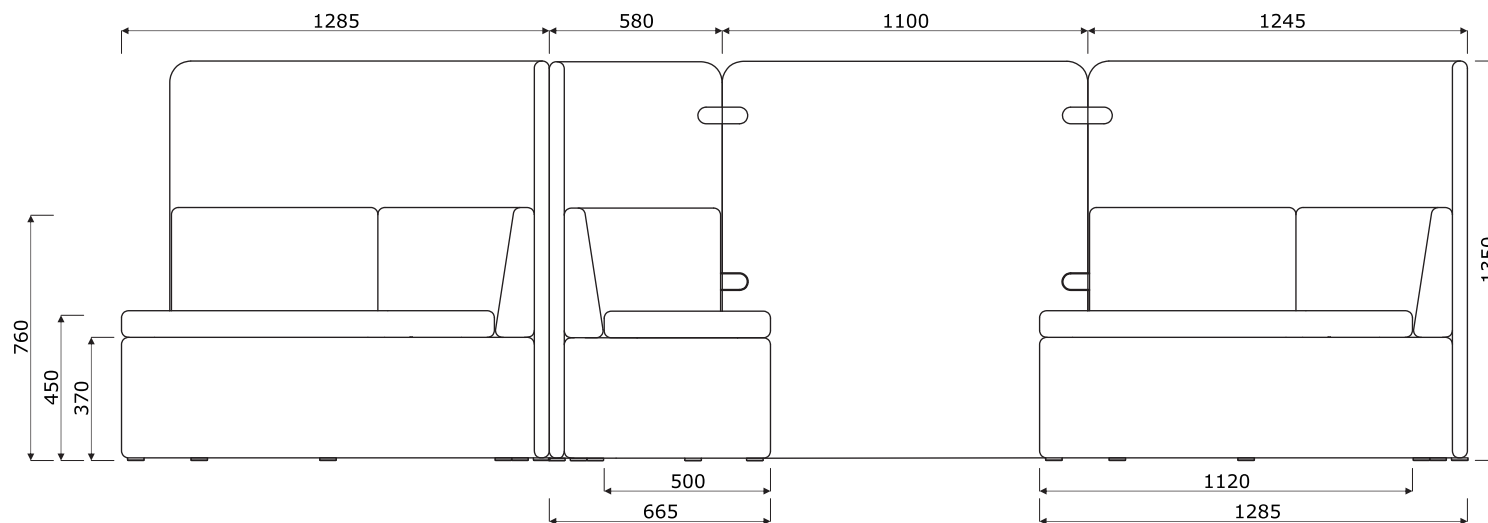
Technical specification

- 1 **Screen** - wooden frame, upholstered
- 2 **Seat** - cut foam, density of 55 kg/m³, upholstered
- 3 **Backrest** - plywood covered with foam, density of 55 kg/m³, upholstered
- 4 **Base** - cube, wooden frame, upholstered
- 5 **Wooden frame**
- 6 **Connecting element** - powder coated steel ,included, 4 pcs/ screen



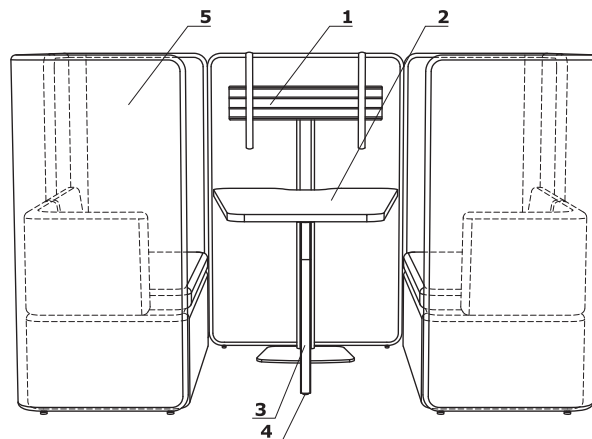
- max. load 120 kg

Dimensions (mm)

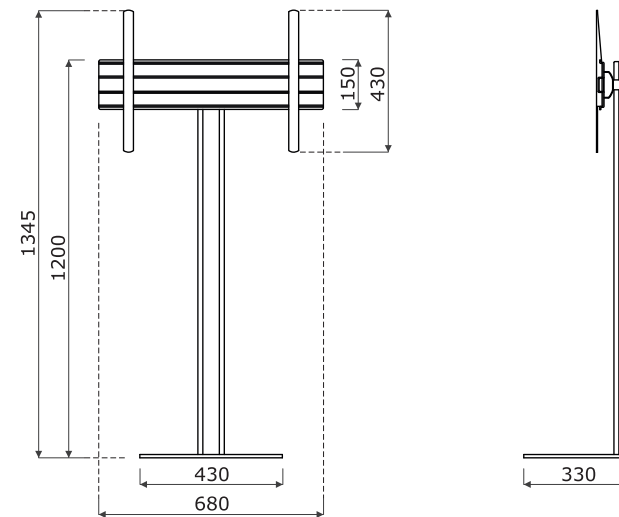


Meeting cubicles

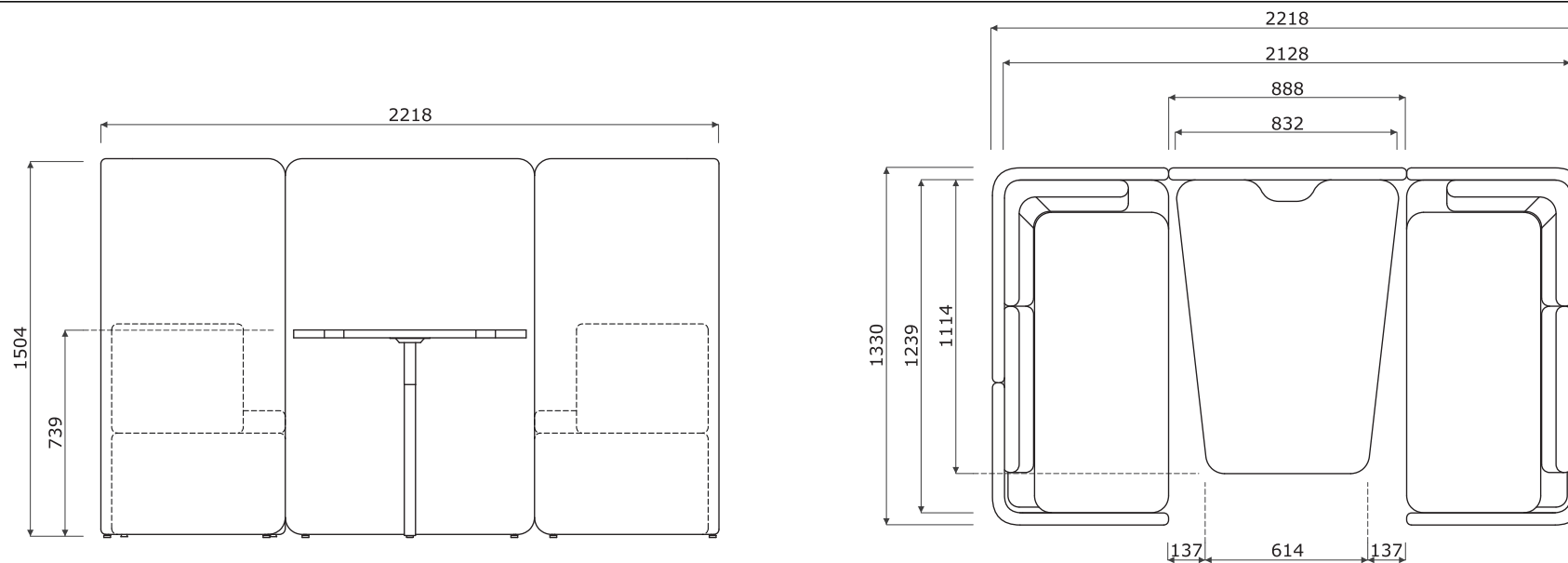
- 1 TV stand** - steel, max size of 32-70", max weight 50 kg; equipped with cable cover
- 2 Worktop** - MFC 28 mm, ABS edge
- 3 Natural wood** - ash, with metal element, powder coated, coated with transparent varnish, profile 40 x 40 mm, spacer 10 mm between top and frame
- 4 Leveling** - 10 mm range
- 5 Screen** - wooden frame, upholstered

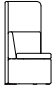
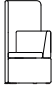
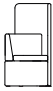

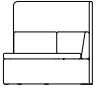
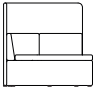
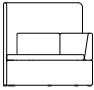
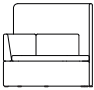


TV stand - dimensions (mm)

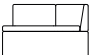
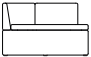
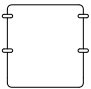
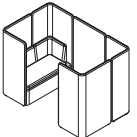


Meeting cubicles - dimensions (mm)



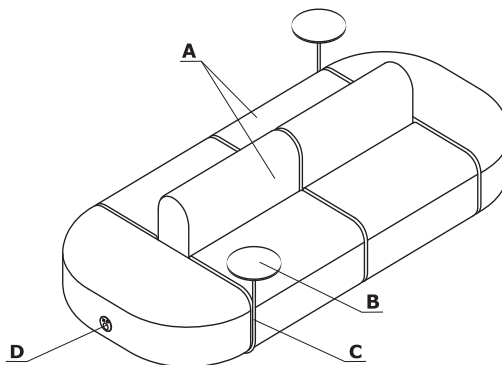
KAIVA							
	Symbol	Price EUR	Dimensions			kg m3 pcs	Comments
			Width	Depth	Height		
	KAV1	1330,-	670	670	1350	34.3 kg 0.531 m3 1 pcs	
	KAV2P	1330,-	670	670	1350	30 kg 0.531 m3 1 pcs	
	KAV2L	1330,-	670	670	1350	30 kg 0.531 m3 1 pcs	
	KAV3	1145,-	620	620	760	19.5 kg 0.292 m3 1 pcs	
	KAV4P	1815,-	1290	670	1350	56.6 kg 1.021 m3 1 pcs	
	KAV4L	1815,-	1290	670	1350	56.2 kg 1.021 m3 1 pcs	
	KAV5P	1815,-	1290	670	1350	50.1 kg 1.021 m3 1 pcs	
	KAV5L	1815,-	1290	670	1350	49.9 kg 1.021 m3 1 pcs	

Extra charge						
III Price group	IV price group					
306,-	530,-					
306,-	530,-					
306,-	530,-					
224,-	370,-					
530,-	885,-					
530,-	885,-					
530,-	885,-					
530,-	885,-					

KAIVA							
	Symbol	Price EUR	Dimensions			kg m3 pcs	Comments
			Width	Depth	Height		
	KAV6P	1545,-	1240	620	760	34.6 kg 0.582 m3 1 pcs	
	KAV6L	1545,-	1240	620	760	34.6 kg 0.582 m3 1 pcs	
	KAV10	446,-	1140	45	1350	13.7 kg 0.059 m3 1 pcs	
Meeting cubicles							
	KAV11B	4900,-	2218	1330	1504	187 kg 4.437 m3 1 pcs	

Extra charge							
III Price group	IV price group	Table	TV stand				
390,-	675,-						
390,-	675,-						
98,-	174,-						
1220,-	2110,-	364,-	605,-				

Colour combination - Artiko



Material	Colour	Artiko															
		A - Seat, back	B - Top	C - Frame	D - Mediabox												
Fabric	Medley	✓															
	**Atlantic	✓															
	Vita	✓															
	****Charles	✓															
	Go Check	✓															
	Mica	✓															
	*Customer's own fabric	III group ✓															
	Synergy	III group ✓															
	***Silvertex	III group ✓															
	Tessa	III group ✓															
	Oceanic	III group ✓															
	Quest	III group ✓															
	Grain	III group ✓															
	Atlas	IV group ✓															
	Leather	IV group ✓															

* Employing the customer's fabric requires running upholstery tests in order to check the possibility of realisation.

*** There is a possibility of ordering the product in full colour spectrum of Silvertex range, as per Spradling's pattern book, within 15 working days.

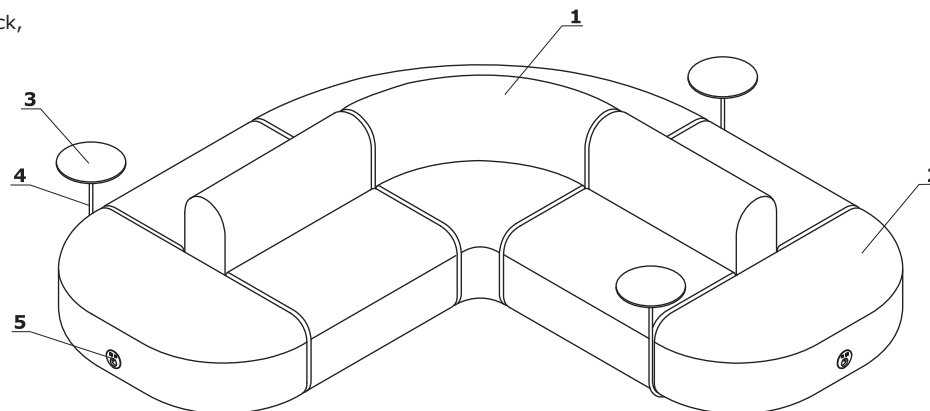
** There is a possibility of ordering the product in full colour spectrum of Atlantic range, as per Gabriel's pattern book, within 8 weeks

**** There is a possibility of ordering the product in full colour spectrum of Charles range, as per Dekoma pattern book, within the standard delivery time.

Material	Colour	Artiko													
		A - Seat, back	B - Top	C - Frame	D - Mediabox										
Metal	M010 - light grey semi-matt RAL 7044		Grey	✓											
	M014 - red semi-matt RAL 3016		Red	✓											
	M027 - blue semi-matte RAL5003		Blue	✓											
	M115 - black semi-matt RAL 9005		Black	✓											
	Black				✓										

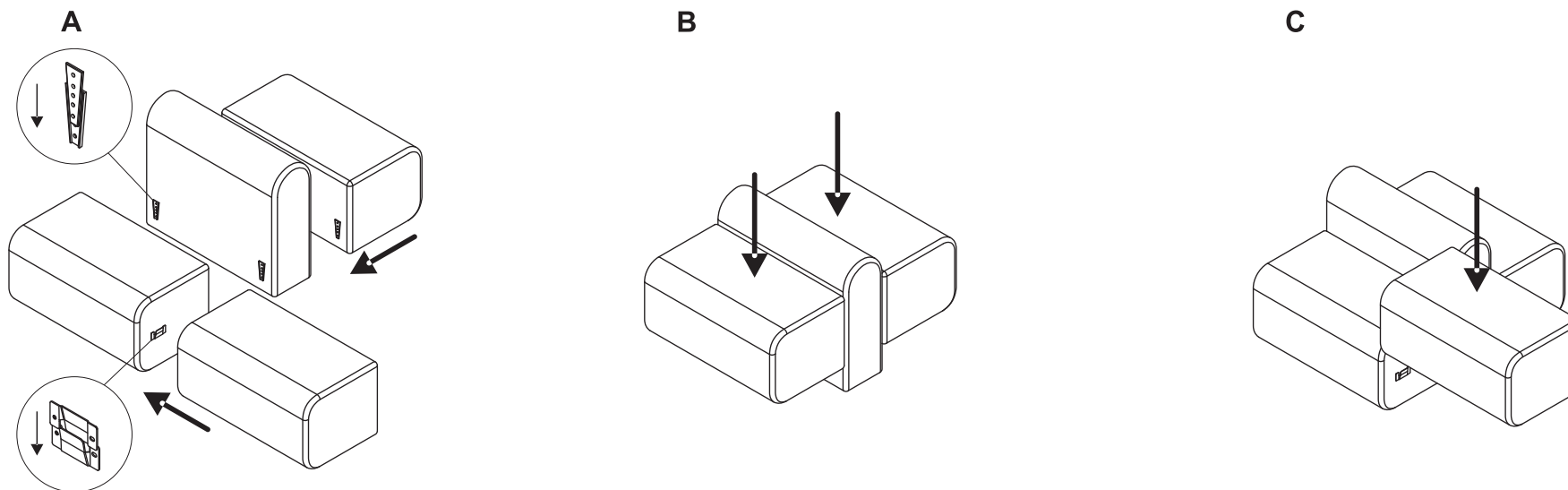
Technical specification

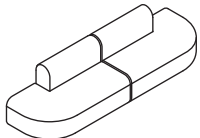
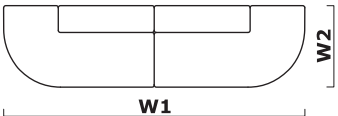
- 1 **Backrest** - particle board framework; cut foam, density of 35 kg/m³; upholstered
- 2 **Seat** - particle board framework; cut foam, density of 35 kg/m³; upholstered
- 3 **Worktop** - MDF lacquered 16 mm - in frame colour
- 4 **Frame** - powder coated metal 18 mm
- 5 **OPTION WITH EXTRA CHARGE** - Mediabox M07 - colour: black, white; 230V + 1 x USB charger + 1 x RJ45, 2000mA



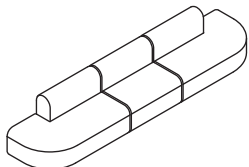
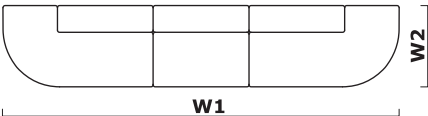
Attention! When creating a configuration from components, an image of it must be attached to the order.

Assembly

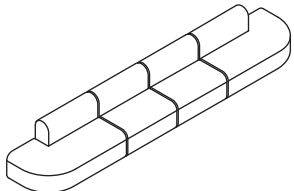



 								
Symbol	Price EUR	Dimensions					kg m3 pcs	Composition elements
		W1	W2	D1	D2	H		
AT24	3108,-	2840	770			750	98 kg 1.466 m3 4 pcs	AT02L+AT02P+2xAT03

Extra charge					
III Price group	IV price group	Table x1			
312,-	540,-	134,-			

 								
Symbol	Price EUR	Dimensions					kg m3 pcs	Composition elements
		W1	W2	D1	D2	H		
AT11	3996,-	3740	770			750	131 kg 1.894 m3 6 pcs	AT02L+AT04+AT02P+3xAT03

Extra charge					
III Price group	IV price group	Table x1	Table x2		
422,-	734,-	134,-	268,-		

 								
Symbol	Price EUR	Dimensions					kg m3 pcs	Composition elements
		W1	W2	D1	D2	H		
AT15	4884,-	4640	770			750	164 kg 2.321 m3 8 pcs	AT02L+2xAT04+AT02P+4xAT03

Extra charge					
III Price group	IV price group	Table x1	Table x2	Table x3	
532,-	928,-	134,-	268,-	402,-	

Symbol	Price EUR	Dimensions					kg m3 pcs	Composition elements
		W1	W2	D1	D2	H		
AT23	4508,-	2310	2310	1540	1540	750	133 kg 2.186 m3 6 pcs	AT02L+AT05+AT02P+2xAT03+AT06

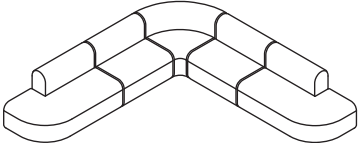
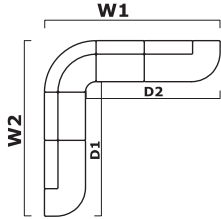
Extra charge						
III Price group	IV price group	Table x1				
462,-	800,-	134,-				

Symbol	Price EUR	Dimensions					kg m3 pcs	Composition elements
		W1	W2	D1	D2	H		
AT08	5396,-	3210	2310	1540	2440	750	166 kg 2.614 m3 8 pcs	AT02L+AT04+AT05+AT02P+3xAT03+AT06

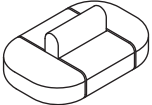
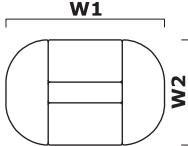
Extra charge						
III Price group	IV price group	Table x1	Table x2			
572,-	994,-	134,-	268,-			

Symbol	Price EUR	Dimensions					kg m3 pcs	Composition elements
		W1	W2	D1	D2	H		
AT16	7172,-	4110	3210	2440	3340	750	232 kg 3.469 m3 12 pcs	AT02L+3xAT04+AT05+AT02P+5xAT03+AT06

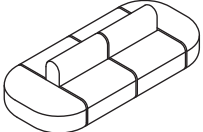
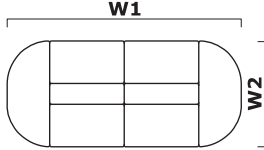
Extra charge						
III Price group	IV price group	Table x1	Table x2	Table x3	Table x4	
792,-	1382,-	134,-	268,-	402,-	536,-	

 								
Symbol	Price EUR	Dimensions					kg m3 pcs	Composition elements
		W1	W2	D1	D2	H		
AT26	6284,-	3210	3210	2440	2440	750	199 kg 3.041 m3 10 pcs	AT02L+2xAT04+AT05+AT02P+4xAT03+AT06


Extra charge						
III Price group	IV price group	Table x1	Table x2	Table x3		
682,-	1188,-	134,-	268,-	402,-		

 								
Symbol	Price EUR	Dimensions					kg m3 pcs	Composition elements
		W1	W2	D1	D2	H		
AT13	2842,-	1940	1280			750	86 kg 1.118 m3 4 pcs	2xAT01+2xAT04+AT03


Extra charge						
III Price group	IV price group	Table x1	Table x2			
320,-	554,-	134,-	268,-			

 								
Symbol	Price EUR	Dimensions					kg m3 pcs	Composition elements
		W1	W2	D1	D2	H		
AT10	4174,-	2840	1280			750	118 kg 1.577 m3 6 pcs	2xAT01+4xAT04+2xAT03

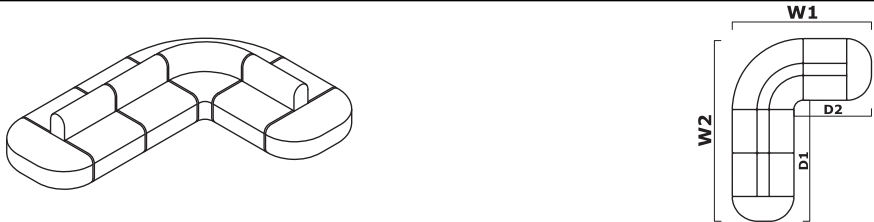
Extra charge						
III Price group	IV price group	Table x1	Table x2	Table x3	Table x4	
476,-	828,-	134,-	268,-	402,-	536,-	

								
Symbol	Price EUR	Dimensions					kg m3 pcs	Composition elements
		W1	W2	D1	D2	H		
AT14	5506,-	3740	1280			750	150 kg 2.035 m3 8 pcs	2xAT01+6xAT04+3xAT03

Extra charge						
III Price group	IV price group	Table x1	Table x2	Table x3	Table x4	Table x5
632,-	1102,-	134,-	268,-	402,-	536,-	670,-

								
Symbol	Price EUR	Dimensions					kg m3 pcs	Composition elements
		W1	W2	D1	D2	H		
AT22	6569,-	2820	2820	1540	1540	750	162 kg 2.586 m3 8 pcs	2xAT01+4xAT04+AT05+AT07+2xAT03+AT06

Extra charge						
III Price group	IV price group	Table x1	Table x2	Table x3	Table x4	
736,-	1274,-	134,-	268,-	402,-	536,-	

								
Symbol	Price EUR	Dimensions					kg m3 pcs	Composition elements
		W1	W2	D1	D2	H		
AT09	7901,-	2820	3720	2440	1540	750	194 kg 3.044 m3 10 pcs	2xAT01+6xAT04+AT05+AT07+3xAT03+AT06

Extra charge						
III Price group	IV price group	Table x1	Table x2	Table x3	Table x4	Table x5
892,-	1548,-	134,-	268,-	402,-	536,-	670,-

Symbol	Price EUR	Dimensions					kg m3 pcs	Composition elements
		W1	W2	D1	D2	H		
AT25	9233,-	3720	3720	2440	2440	750	226 kg 3.503 m3 12 pcs	2xAT01+8xAT04+AT05+AT07+4xAT03+AT06

Extra charge						
III Price group	IV price group	Table x1	Table x2	Table x3	Table x4	Table x5
1048,-	1822,-	134,-	268,-	402,-	536,-	670,-

Symbol	Price EUR	Dimensions					kg m3 pcs	Composition elements
		W1	W2	D1	D2	H		
AT12	1510,-	1280	1040			450	54 kg 0.66 m3 2 pcs	2xAT01

Extra charge						
III Price group	IV price group	Table x1				
164,-	280,-	134,-				

Symbol	Price EUR	Dimensions					kg m3 pcs	Composition elements
		W1	W2	D1	D2	H		
AT20	7740,-	2820	2820			750	128 kg 3.023 m3 4 pcs	4xAT07+4xAT06

Extra charge						
III Price group	IV price group	Table x1	Table x2	Table x3	Table x4	
832,-	1424,-	134,-	268,-	402,-	536,-	

Symbol	Price EUR	Dimensions					kg m3 pcs	Composition elements
		W1	W2	D1	D2	H		
AT27	6796,-	2700	2310	1540	1160	750	201 kg 3.334 m3 10 pcs	AT02L+2xAT05+AT04+AT02P+3xAT03+2xAT06

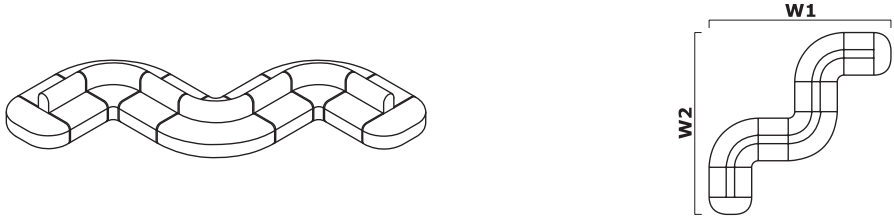
Extra charge						
III Price group	IV price group	Table x1	Table x2			
722,-	1254,-	134,-	268,-			

Symbol	Price EUR	Dimensions					kg m3 pcs	Composition elements
		W1	W2	D1	D2	H		
AT21	9460,-	3600	3210	2440	2060	750	300 kg 4.617 m3 16 pcs	AT02L+4xAT04+2xAT05+AT02P+6xAT03+2xAT06

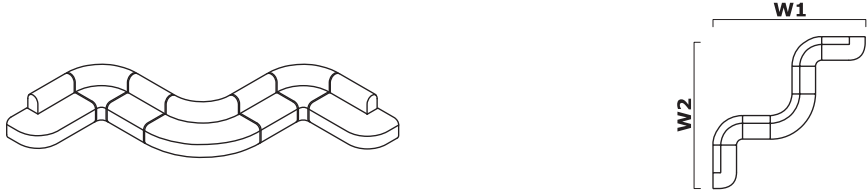
Extra charge						
III Price group	IV price group	Table x1	Table x2	Table x3		
1052,-	1836,-	134,-	268,-	402,-		

Symbol	Price EUR	Dimensions					kg m3 pcs	Composition elements
		W1	W2	D1	D2	H		
AT17	10296,-	3720	2820	1540	1160	750	335 kg 5.582 m3 17 pcs	2xAT01+6xAT04+2xAT05+2xAT07+3xAT03+2xAT06

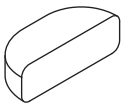
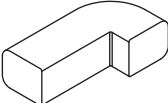
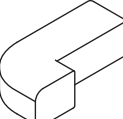





Extra charge						
III Price group	IV price group	Table x1	Table x2	Table x3	Table x4	Table x5
1152,-	1994,-	134,-	268,-	402,-	536,-	670,-

								
Symbol	Price EUR	Dimensions					kg m3 pcs	Composition elements
		W1	W2	D1	D2	H		
AT18	14023,-	5250	5250			750	451 kg 7.715 m3 23 pcs	2xAT01+8xAT04+3xAT05+3xAT07+4xAT03+3xAT06


Extra charge						
III Price group	IV price group	Table x1	Table x2	Table x3	Table x4	Table x5
1568,-	2714,-	134,-	268,-	402,-	536,-	670,-

								
Symbol	Price EUR	Dimensions					kg m3 pcs	Composition elements
		W1	W2	D1	D2	H		
AT19	9619,-	4740	4740			750	289 kg 4.984 m3 14 pcs	AT02L+2xAT05+2xAT04+AT07+AT02P+4xAT03+3xAT06

Extra charge						
III Price group	IV price group	Table x1	Table x2	Table x3	Table x4	
1040,-	1804,-	134,-	268,-	402,-	536,-	

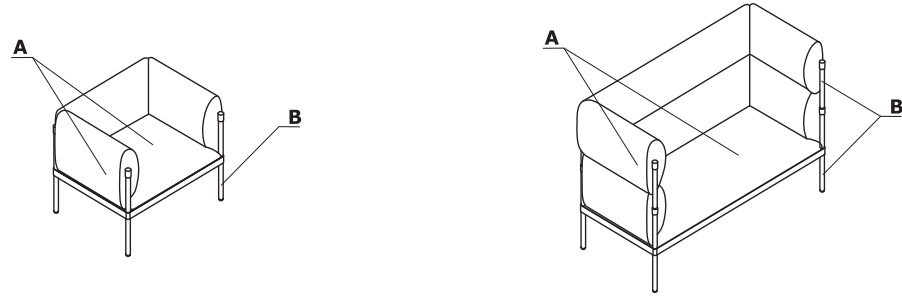
Composition elements							
	Symbol	Price EUR	Dimensions			kg m3 pcs	Comments
			Width	Depth	Height		
	AT01	755,-	1280	520	450	27 kg 0.33 m3 1 pcs	
	AT02L	1110,-	1420	770	450	32 kg 0.535 m3 1 pcs	
	AT02P	1110,-	1420	770	450	32 kg 0.535 m3 1 pcs	
	AT03	444,-	900	510	750	17 kg 0.198 m3 1 pcs	
	AT04	444,-	900	510	450	16 kg 0.229 m3 1 pcs	
	AT05	460,-	910	560	450	12 kg 0.254 m3 1 pcs	
	AT06	940,-	1270	450	750	23 kg 0.467 m3 1 pcs	
	AT07	995,-	1990	780	450	32 kg 0.756 m3 1 pcs	

Extra charge						
III Price group	Mediabox	IV price group				
82,-	140,-	140,-				
92,-	140,-	156,-				
92,-	140,-	156,-				
64,-		114,-				
46,-	140,-	80,-				
52,-		90,-				
98,-		170,-				
110,-	140,-	186,-				

Desks							
	Symbol	Price EUR	Dimensions			kg m3 pcs	Comments
			Width	Depth	Height		
	AT01S	134,-	473	250	630	2.8 kg 0.087 m3 1 pcs	

Extra charge							

Colour combination - Stilt



Material	Colour	Stilt - armchair, sofa												
		A - Seat, back	B - Base											
Fabric	Medley	✓												
	**Atlantic	✓												
	Vita	✓												
	****Charles	✓												
	Go Check	✓												
	Mica	✓												
	*Customer's own fabric	III group ✓												
	Synergy	III group ✓												
	***Silvertex	III group ✓												
	Tessa	III group ✓												
	Oceanic	III group ✓												
	Quest	III group ✓												
	Grain	III group ✓												
	Atlas	IV group ✓												
	Leather	IV group ✓												

* Employing the customer's fabric requires running upholstery tests in order to check the possibility of realisation.

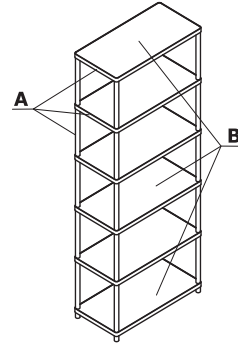
*** There is a possibility of ordering the product in full colour spectrum of Silvertex range, as per Spradling's pattern book, within 15 working days.

** There is a possibility of ordering the product in full colour spectrum of Atlantic range, as per Gabriel's pattern book, within 8 weeks

**** There is a possibility of ordering the product in full colour spectrum of Charles range, as per Dekoma pattern book, within the standard delivery time.

Material	Colour	Stilt - armchair, sofa													
		A - Seat, back	B - Base												
Metal	M011 - dark grey semi-matt RAL 7042		✓												
	M012 - dark green semi-matt RAL 6012		✓												
	M013 - burgundy semi-matt RAL 3007		✓												
	M014 - red semi-matt RAL 3016		✓												
	M016 - pearl white semi-matt RAL 1013		✓												
	M026 - olive semi-matte RAL 6013		✓												
	M027 - blue semi-matte RAL5003		✓												
	M028 - brick red semi-matte RAL 0404040		✓												
	M029 - yellow semi-matte RAL 0807060		✓												
	M030 - beige semi-matte RAL 0608005		✓												
	M115 - black semi-matt RAL 9005		✓												

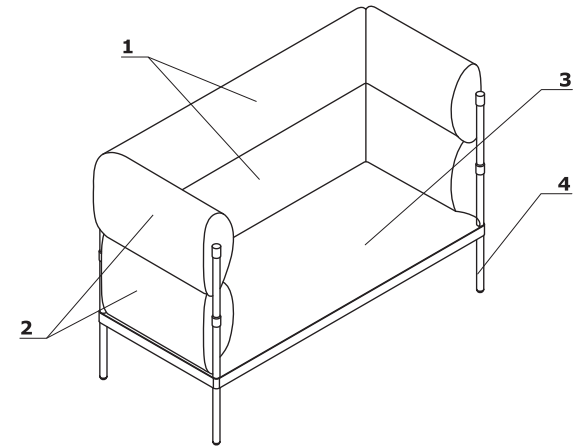
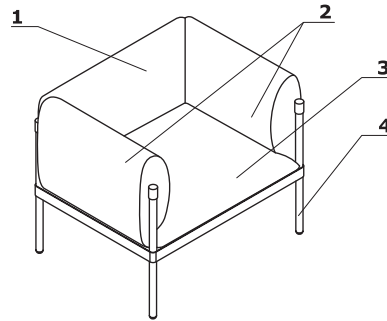
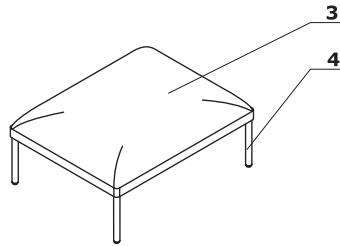
Colour combination - Stilt



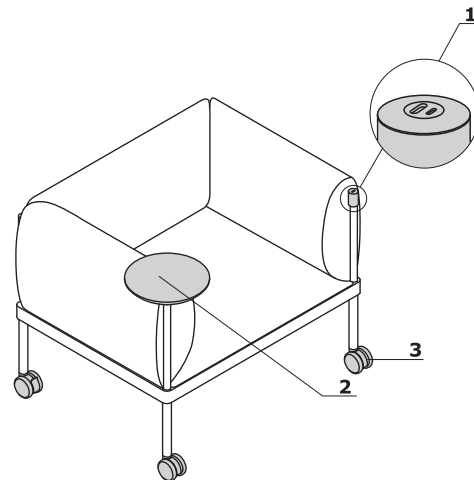
Material	Colour	Stilt - shelving unit														
		A - Top, base, shelf	B - Frame													
MFC	177 - grey matte		M011 - dark grey semi-matt RAL 7042													
	186 - black matte RAL9005		M115 - black semi-matt RAL 9005													
	187 - pearl white matte RAL 1013		M016 - pearl white semi-matt RAL 1013													
	188 - white matte RAL 9010		M015 - white semi-matt RAL 9010													
	189 - olive matte RAL 6013		M026 - olive semi-matte RAL 6013													
	190 - blue matte RAL 5003		M027 - blue semi-matte RAL5003													

Stilt - armchair, sofa

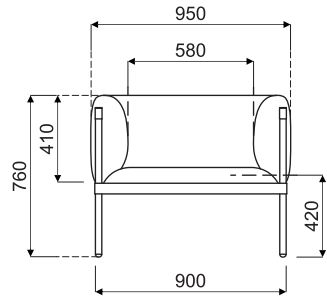
- 1 Backrest** - 18 mm thick particle board framework; cut foam, density of 25 kg/m³; upholstered
- 2 Armrests** - 18 mm thick particle board framework; cut foam, density of 40 kg/m³; upholstered
- 3 Seat** - steel framework with springs; cut foam, density of 35 kg/m³; upholstered
- 4 Base** - 4-legged, powder coated steel; legs made of tube Ø 30 mm, wall thickness 2 mm

**Accessories - armchair, sofa****OPTIONS WITH EXTRA CHARGE:**

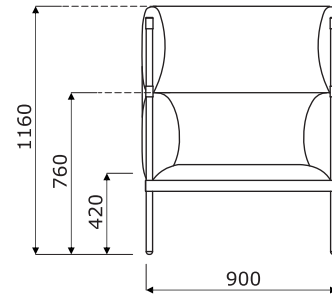
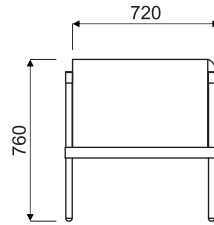
- 1 Mediabox M010** - USB A, C; 5V, 2x2,5 Amp
- 2 Worktop** - MDF lacquered 19 mm - in frame colour; powder coated steel
- 3 Castors** - with brakes; Ø75 mm (for Stilt armchairs and sofas - without USB)



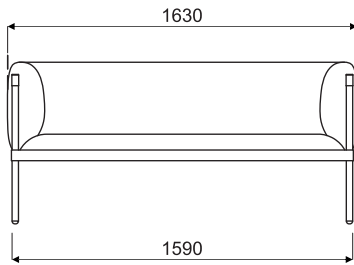
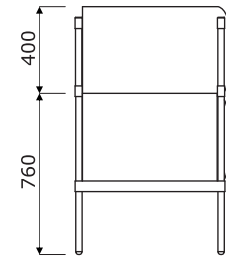
Dimensions (mm)



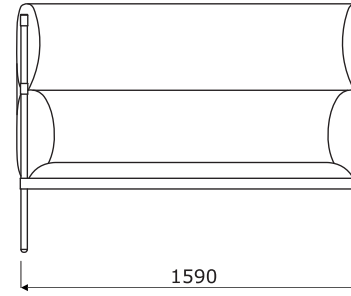
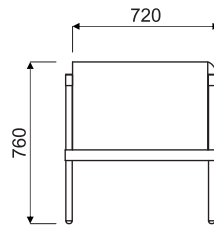
SIS1



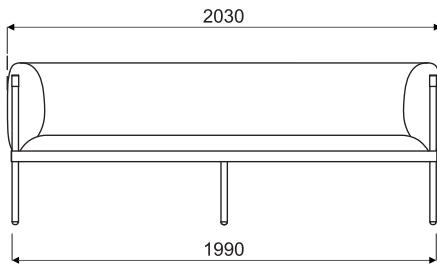
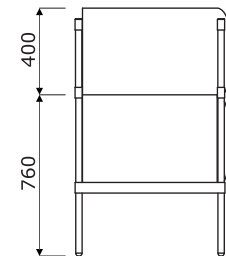
SISH1



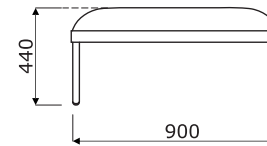
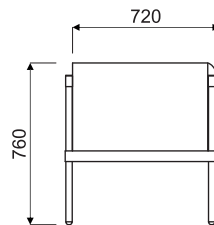
SIS2



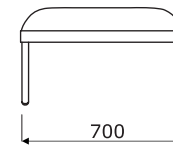
SISH2



SIS3

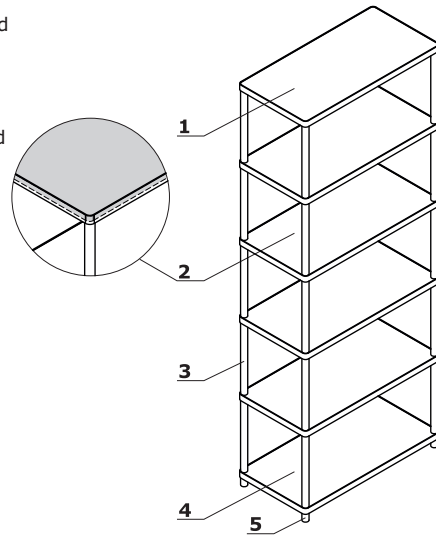


SIS4



Bookcases

- 1 Top** - 19 mm thick varnished MDF board with metal frame (3x30 mm)
- 2 Shelf** - 19 mm thick varnished MDF board with metal frame (3x30 mm); protection against accidental falling-out
- 3 Profile** - powder coated steel, Ø30 mm, wall thickness 2 mm
- 4 Base** - 19 mm thick varnished MDF board with metal frame (3x30 mm)
- 5 Feet** - height 14mm, made from polythene, colour matching the frame

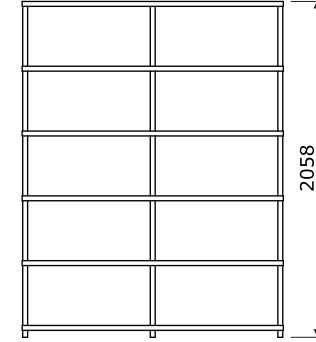


Dimensions (mm)

SIR5



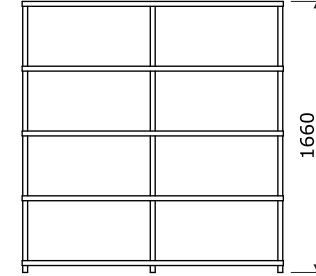
SIR25



SIR4



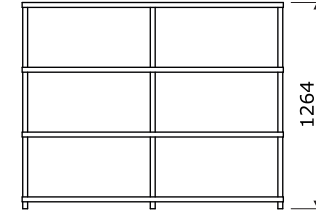
SIR24



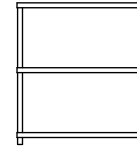
SIR3



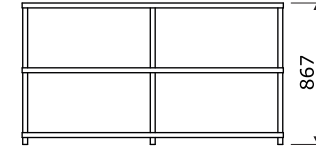
SIR23



SIR2



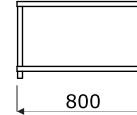
SIR22



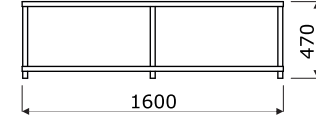
SIRS1


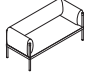
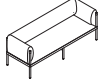
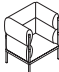

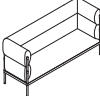









SIR1




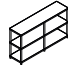



SIR21



Stilt - armchair, sofa								Extra charge							
	Symbol	Price EUR	Dimensions			kg m3 pcs	Comments	III Price group	IV price group	Castors for hard floors	Top	USB	USB + top		
			Width	Depth	Height										
	SIS1	1500,-	950	720	760	36 kg 0.548 m3 1 pcs		160,-	280,-	116,-	92,-	172,-	264,-		
	SIS2	2010,-	1630	720	760	51.3 kg 0.952 m3 1 pcs		210,-	360,-	116,-	92,-	172,-	264,-		
	SIS3	2490,-	2030	720	760	61.5 kg 1.183 m3 1 pcs		250,-	430,-	175,-	92,-	172,-	264,-		
	SISH1	2000,-	950	720	1160	51.9 kg 0.83 m3 1 pcs		225,-	395,-	116,-					
	SISH2	2820,-	1630	720	1160	72.1 kg 1.441 m3 1 pcs		360,-	620,-	116,-					
	SISH3	3410,-	2030	720	1160	84.3 kg 1.79 m3 1 pcs		390,-	690,-	175,-					
	SIS4	725,-	900	700	440	36 kg 0.308 m3 1 pcs		56,-	98,-	116,-					

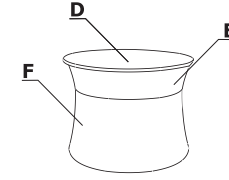
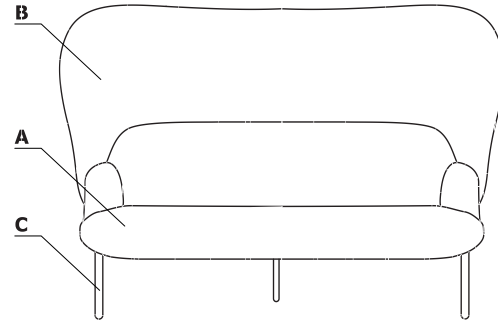
Stilt - shelving unit							
	Symbol	Price EUR	Dimensions			kg m3 pcs	Comments
			Width	Depth	Height		
	SIRS1	256,-	400	400	470	11 kg 0.019 m3 2 pcs	
	SIR1	354,-	800	400	470	18 kg 0.032 m3 2 pcs	
	SIR2	515,-	800	400	867	28.5 kg 0.045 m3 3 pcs	
	SIR3	675,-	800	400	1264	38 kg 0.065 m3 5 pcs	
	SIR4	850,-	800	400	1660	48.5 kg 0.079 m3 6 pcs	
	SIR5	1010,-	800	400	2058	59 kg 0.092 m3 7 pcs	

Extra charge							

Stilt - shelving unit							
	Symbol	Price EUR	Dimensions			kg m3 pcs	Comments
			Width	Depth	Height		
	SIR21	600,-	1600	400	470	31.2 kg 0.06 m3 2 pcs	
	SIR22	895,-	1600	400	867	50.2 kg 0.092 m3 4 pcs	
	SIR23	1200,-	1600	400	1264	64.4 kg 0.123 m3 5 pcs	
	SIR24	1505,-	1600	400	1660	83.4 kg 0.155 m3 7 pcs	
	SIR25	1785,-	1600	400	2058	97.6 kg 0.187 m3 8 pcs	

Extra charge							

Colour combination - Mesh



Material	Colour	MESH			Side table MESH											
		A - Seat	B - Shield	C - Base	D - Top	E - Base - upper part	F - Base - bottom part									
Fabric	Runner		✓			✓	✓									
	Medley	✓	✓			✓	✓									
	**Atlantic	✓	✓			✓	✓									
	Vita	✓														
	****Charles	✓	✓			✓	✓									
	Go Check	✓	✓			✓	✓									
	Mica	✓	✓			✓	✓									
	*Customer's own fabric	III group	✓			✓	✓									
	Synergy	III group	✓	✓			✓	✓								
	***Silvertex	III group	✓	✓			✓	✓								
	Tessa	III group	✓	✓			✓	✓								
	Oceanic	III group	✓	✓			✓	✓								
	Quest	III group	✓	✓			✓	✓								
	Grain	III group	✓	✓			✓	✓								
	Atlas	IV group	✓	✓			✓	✓								
Leather	IV group	✓														

* Employing the customer's fabric requires running upholstery tests in order to check the possibility of realisation.

** There is a possibility of ordering the product in full colour spectrum of Atlantic range, as per Gabriel's pattern book, within 8 weeks

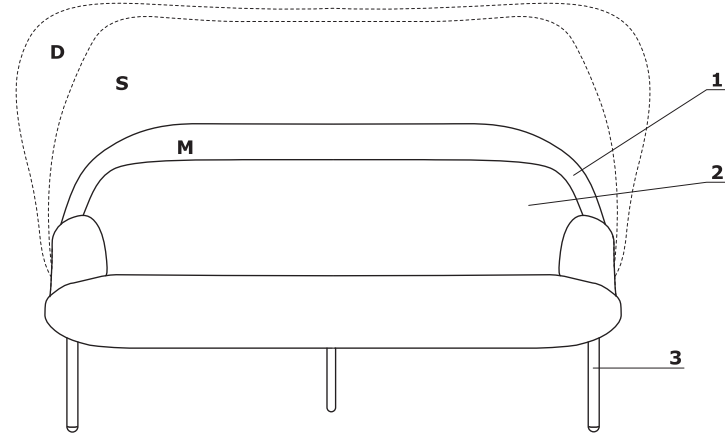
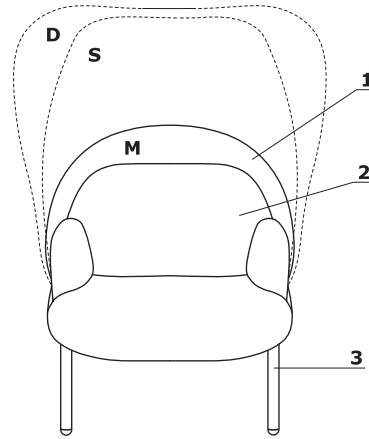
*** There is a possibility of ordering the product in full colour spectrum of Silvertex range, as per Spradling's pattern book, within 15 working days.

**** There is a possibility of ordering the product in full colour spectrum of Charles range, as per Dekoma pattern book, within the standard delivery time.

Material	Colour	MESH			Side table MESH										
		A - Seat	B - Shield	C - Base	D - Top	E - Base - upper part	F - Base - bottom part								
Metal	M010 - light grey semi-matt RAL 7044			✓											
	M011 - dark grey semi-matt RAL 7042			✓											
	M012 - dark green semi-matt RAL 6012			✓											
	M013 - burgundy semi-matt RAL 3007			✓											
	M014 - red semi-matt RAL 3016			✓											
	M016 - pearl white semi-matt RAL 1013			✓											
	M026 - olive semi-matte RAL 6013			✓											
	M027 - blue semi-matte RAL5003			✓											
	M028 - brick red semi-matte RAL 0404040			✓											
	M029 - yellow semi-matte RAL 0807060			✓											
	M030 - beige semi-matte RAL 0608005			✓											
	M115 - black semi-matt RAL 9005			✓											
	MFC	26 - aluminum satinato				✓									
31 - canadian oak					✓										
67 - white pastel					✓										
08 - black					✓										

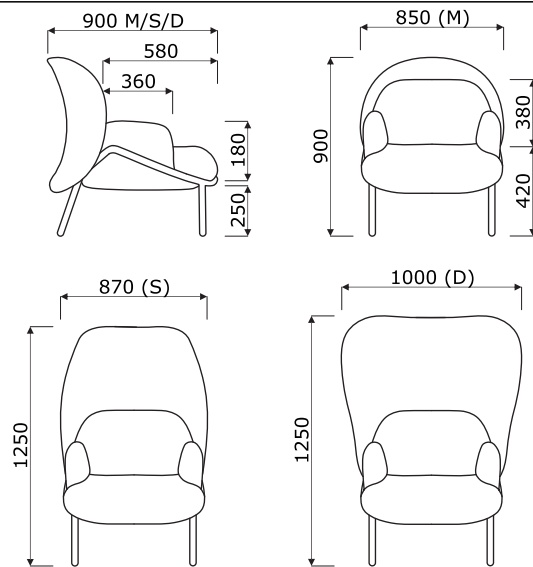
Technical specification

- 1 Shield** - frame Ø25 mm, upholstered, two fabric layers attached to the frame with zip
 - M - small shield
 - S - medium shield
 - D - large shield
- 2 Seat, backrest, armrests** - moulded foam, density of 55 kg/m³, upholstered
- 3 Base** - 4-legged, metal, powder coated, Ø25 mm, wall thickness 1.5 mm, CNC-bent, legs finished with polypropylene feet, colour: white - white frame; colour: black - other frame colours

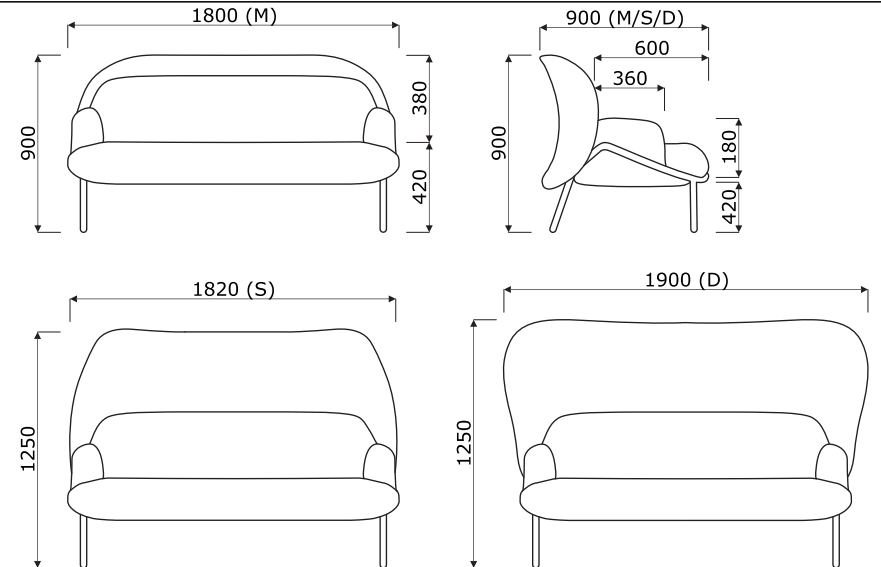


- max. load 120 kg

Armchair - dimensions (mm)

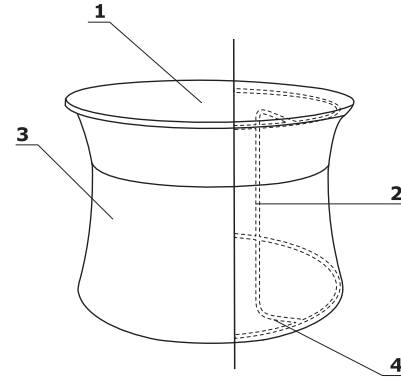
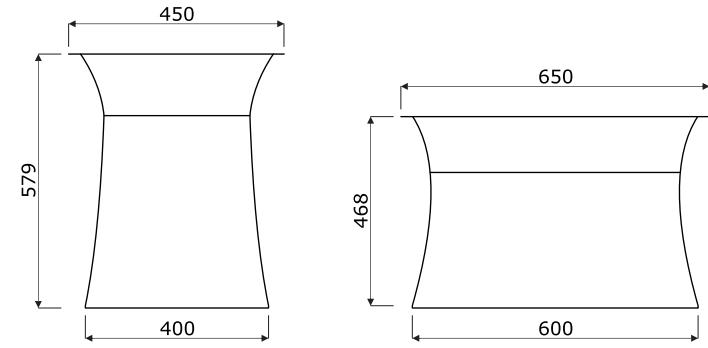





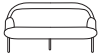
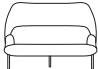
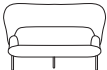
Sofa - dimensions (mm)





Tables

- 1 Worktop** - MFC 12 mm
- 2 Frame** - tubular structure mounted on the MFC-base, tube $\varnothing 16$ mm, wall thickness 2 mm, CNC-bent
- 3 Fabric** - upholstered - upper and lower part
- 4 Feet** - adjustment range 10 mm

**Dimensions (mm)**

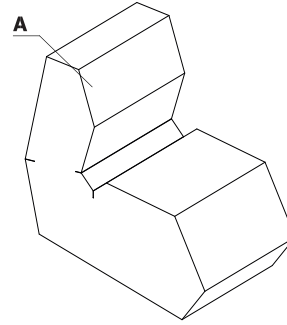
MESH							
	Symbol	Price EUR	Dimensions			kg m3 pcs	Comments
			Width	Depth	Height		
	MF1M	1155,-	910	810	900	33.7 kg 0.812 m3 1 pcs	
	MF1S	1235,-	910	810	1210	24.5 kg 1.188 m3 1 pcs	
	MF1D	1280,-	1000	810	1210	24.7 kg 1.188 m3 1 pcs	
	MS1M	1935,-	1820	810	900	46.7 kg 1.625 m3 1 pcs	
	MS1S	2050,-	1840	810	1210	44.9 kg 2.138 m3 1 pcs	
	MS1D	2120,-	1900	810	1220	48 kg 2.138 m3 1 pcs	

Extra charge							
III price group - shield	III Price group - seat	IV price group - shield	IV Price group - seat				
99,-	102,-	140,-	176,-				
102,-	102,-	176,-	176,-				
99,-	102,-	168,-	176,-				
150,-	192,-	258,-	316,-				
192,-	192,-	316,-	316,-				
178,-	192,-	340,-	316,-				

Side table MESH							
	Symbol	Price EUR	Dimensions			kg m3 pcs	Comments
			Width	Depth	Height		
	MESHT2	314,-	450	450	580	4.9 kg 0.133 m3 1 pcs	
	MESHT1	362,-	650	650	470	7.5 kg 0.22 m3 1 pcs	

Extra charge						
III Price group	IV price group					
68,-	114,-					
74,-	124,-					

Colour combination - Shape

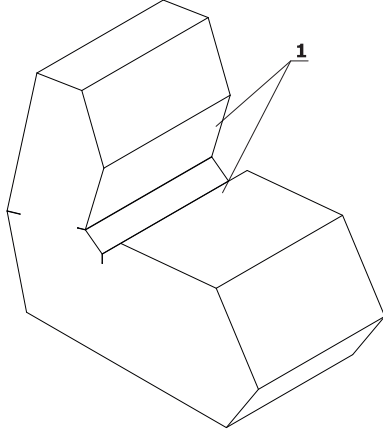


Material	Colour	SHAPE															
		A - Seat															
Fabric	Nemo	✓															
	Medley	II group ✓															
	**Atlantic	II group ✓															
	Vita	II group ✓															
	***Charles	II group ✓															
	Go Check	II group ✓															
	Mica	II group ✓															
	*Customer's own fabric	II group ✓															
	Synergy	III group ✓															
	***Silvertex	III group ✓															
	Tessa	III group ✓															
	Oceanic	III group ✓															
	Quest	III group ✓															
	Grain	III group ✓															
	Atlas	IV group ✓															
	Leather	IV group ✓															

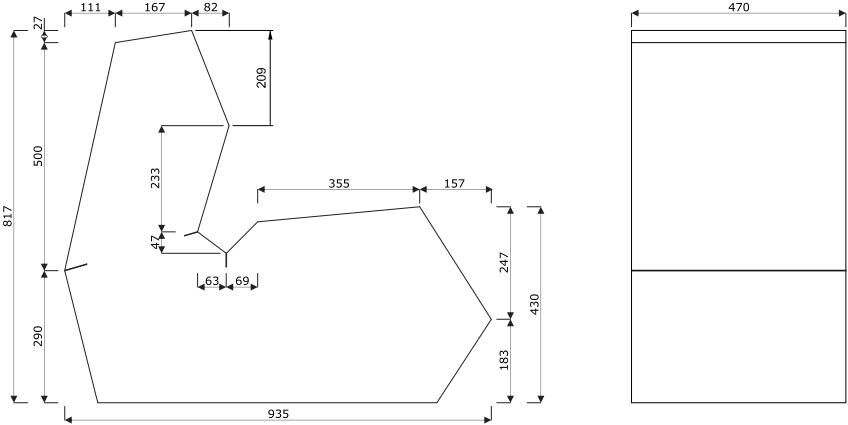
* Employing the customer's fabric requires running upholstery tests in order to check the possibility of realisation.
 ** There is a possibility of ordering the product in full colour spectrum of Atlantic range, as per Gabriel's pattern book, within 8 weeks
 *** There is a possibility of ordering the product in full colour spectrum of Silvertex range, as per Spradling's pattern book, within 15 working days.
 **** There is a possibility of ordering the product in full colour spectrum of Charles range, as per Dekoma pattern book, within the standard delivery time.

Technical specification

1 Seat - cut foam, density of 40 kg/m³, upholstered

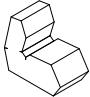


Dimensions (mm)



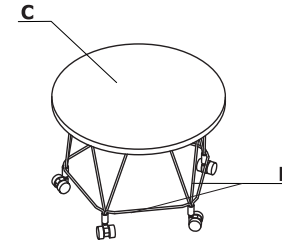
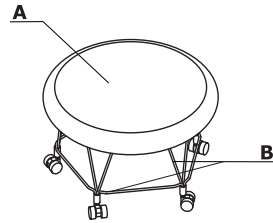
Top view dimensions: 111, 167, 82, 209, 233, 355, 157, 247, 430, 183, 935, 290, 500, 817, 27, 47, 63, 69.

Side view dimensions: 470.

SHAPE							
	Symbol	Price EUR	Dimensions			kg m3 pcs	Comments
			Width	Depth	Height		
	SP01	472,-	470	940	820	13.1 kg 0.359 m3 1 pcs	

Extra charge						
II Price group	III Price group	IV price group				
66,-	164,-	234,-				

Colour combination - Pental



Material	Colour	Pental			Table										
		A - Seat	B - Base	Castors	C - Top	D - Base	Castors								
Fabric	Medley	✓													
	**Atlantic	✓													
	Vita	✓													
	****Charles	✓													
	Go Check	✓													
	Mica	✓													
	*Customer's own fabric	III group ✓													
	Synergy	III group ✓													
	***Silvertex	III group ✓													
	Tessa	III group ✓													
	Oceanic	III group ✓													
	Quest	III group ✓													
	Grain	III group ✓													
	Atlas	IV group ✓													
	Leather	IV group ✓													
	Black				✓			✓							

* Employing the customer's fabric requires running upholstery tests in order to check the possibility of realisation.

** There is a possibility of ordering the product in full colour spectrum of Atlantic range, as per Gabriel's pattern book, within 8 weeks

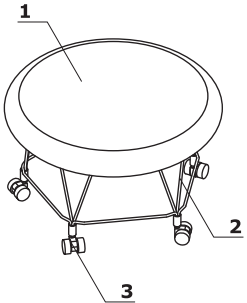
*** There is a possibility of ordering the product in full colour spectrum of Silvertex range, as per Spradling's pattern book, within 15 working days.

**** There is a possibility of ordering the product in full colour spectrum of Charles range, as per Dekoma pattern book, within the standard delivery time.

Material	Colour	Pental		Table											
		A - Seat	B - Base	C - Top	D - Base										
Veneer	M017 - Light grey RAL 7044			✓											
	M018 - Dark grey RAL 7042			✓											
	M019 - Dark green RAL 6012			✓											
	M020 - Burgundy RAL 3007			✓											
	M021 - Red RAL 3016			✓											
	M022 - Black RAL 9005			✓											
	M023 - White pearl RAL 1013			✓											
	M031 - Olive RAL 6013			✓											
	M032 - Blue RAL 5003			✓											
	M033 - Beige RAL 0608005			✓											
	M034 - Brick red RAL 0404040			✓											
	M035 - Yellow RAL 0807060			✓											
	181 - natural oak			✓											
	182 - black oak			✓											
	191 - copper oak			✓											
HPL	183 - FENIX - black matte			✓											
Metal	M010 - light grey semi-matt RAL 7044		✓		✓										
	M011 - dark grey semi-matt RAL 7042		✓		✓										
	M012 - dark green semi-matt RAL 6012		✓		✓										
	M013 - burgundy semi-matt RAL 3007		✓		✓										
	M014 - red semi-matt RAL 3016		✓		✓										
	M016 - pearl white semi-matt RAL 1013		✓		✓										
	M026 - olive semi-matte RAL 6013		✓		✓										
	M027 - blue semi-matte RAL5003		✓		✓										
	M028 - brick red semi-matte RAL 0404040		✓		✓										
	M029 - yellow semi-matte RAL 0807060		✓		✓										
	M030 - beige semi-matte RAL 0608005		✓		✓										
	M115 - black semi-matt RAL 9005		✓		✓										

Stool

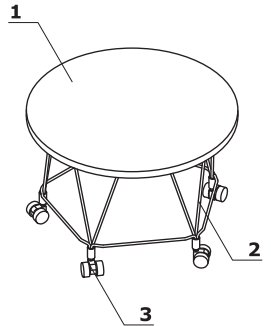
- 1 **Seat** - cut foam, density of 40 kg/m³, upholstered
- 2 **Base** - Ø 6 mm wired legs, powder coated
- 3 **Castors** - Ø 36 mm



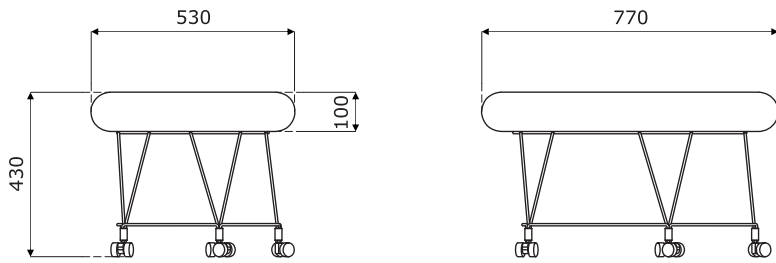
- max. load 120 kg

Tables






- 1 **Worktop** - 20 mm thick, veneer/HPL
- 2 **Base** - Ø 6 mm wired legs, powder coated
- 3 **Castors** - Ø 36 mm



Stool - dimensions (mm)

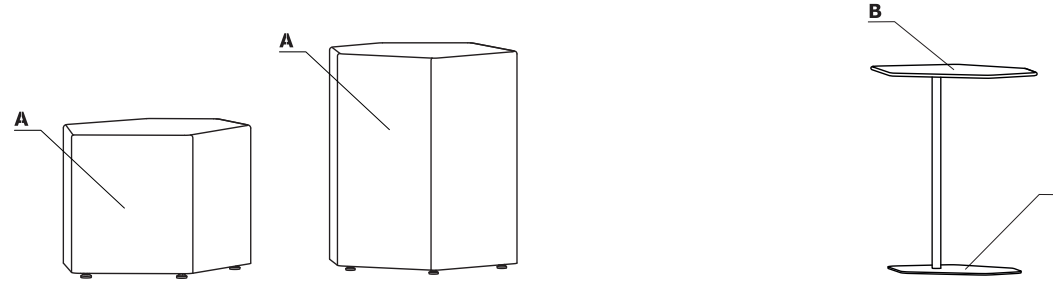


PTP53 **PTP77**

Stool							
	Symbol	Price EUR	Dimensions			kg m3 pcs	Comments
			Width	Depth	Height		
	PTP53	326,-	530	530	430	8.47 kg 0.105 m3 2 pcs	
	PTP77	406,-	770	770	430	9.75 kg 0.216 m3 2 pcs	
Tables							
	PT52	310,-	520	520	345	5.47 kg 0.077 m3 2 pcs	
	PT72	426,-	720	720	345	9.25 kg 0.157 m3 2 pcs	
	PT520	316,-	520	520	440	5.69 kg 0.101 m3 2 pcs	

Extra charge							
III Price group	IV price group						
28,-	48,-						
38,-	66,-						

Colour combination - Bazalto



Material	Colour	BAZALTO	Side table Bazalto													
		A - Seat	B - Top	C - Base												
Fabric	Nemo	✓														
	Medley	II group ✓														
	**Atlantic	II group ✓														
	Vita	II group ✓														
	***Charles	II group ✓														
	Go Check	II group ✓														
	Mica	II group ✓														
	*Customer's own fabric	II group ✓														
	Synergy	III group ✓														
	***Silvertex	III group ✓														
	Tessa	III group ✓														
	Oceanic	III group ✓														
	Quest	III group ✓														
	Grain	III group ✓														
	Atlas	IV group ✓														
	Leather	IV group ✓														

* Employing the customer's fabric requires running upholstery tests in order to check the possibility of realisation.

** There is a possibility of ordering the product in full colour spectrum of Atlantic range, as per Gabriel's pattern book, within 8 weeks

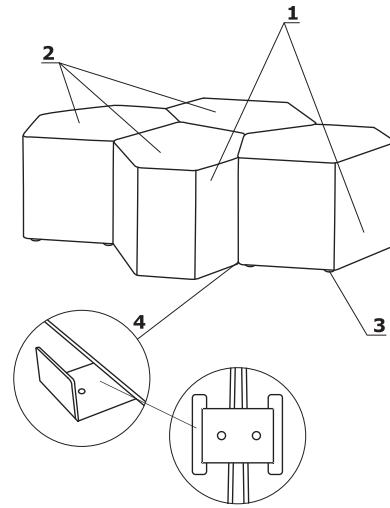
*** There is a possibility of ordering the product in full colour spectrum of Silvertex range, as per Spradling's pattern book, within 15 working days.

**** There is a possibility of ordering the product in full colour spectrum of Charles range, as per Dekoma pattern book, within the standard delivery time.

Material	Colour	BAZALTO	Side table Bazalto												
		A - Seat	B - Top	C - Base											
HPL	30 - white		✓												
	08 - black		✓												
Metal	M015 - white semi-matt RAL 9010			✓											
	M115 - black semi-matt RAL 9005			✓											

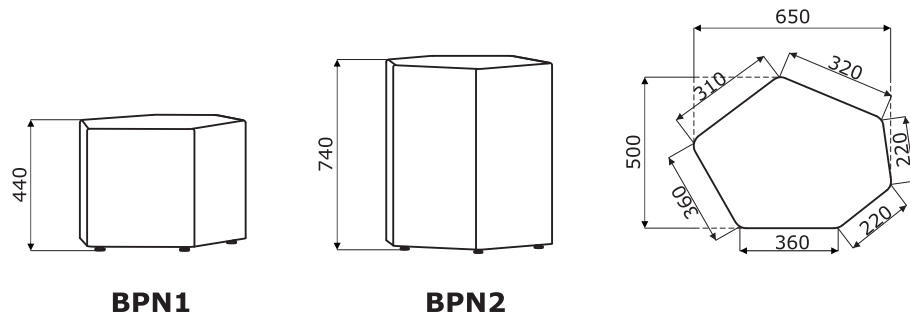
Technical specification

- 1 **Body** - MFC 18 mm, 28 mm and HDF 3 mm, fixed with confirmat screws
- 2 **Seat** - cut foam: thickness 50 mm
- 3 **Polypropylene feet** - Ø30 mm, 6 pcs
- 4 **Metal connecting elements** - profile 2 mm, laser-cut, powder coated, colour: black



- max. load 120 kg

Dimensions (mm)



Configuration examples

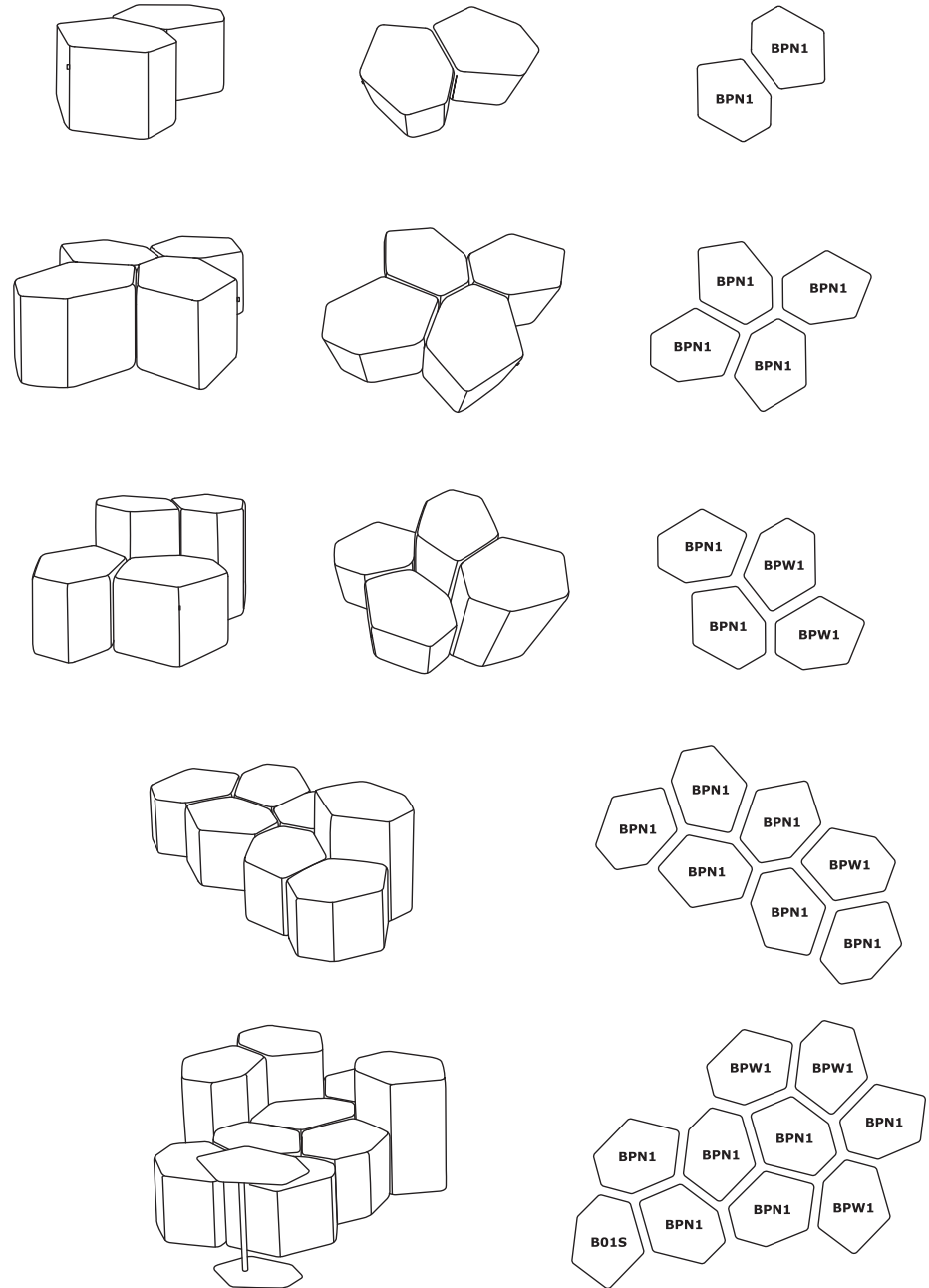
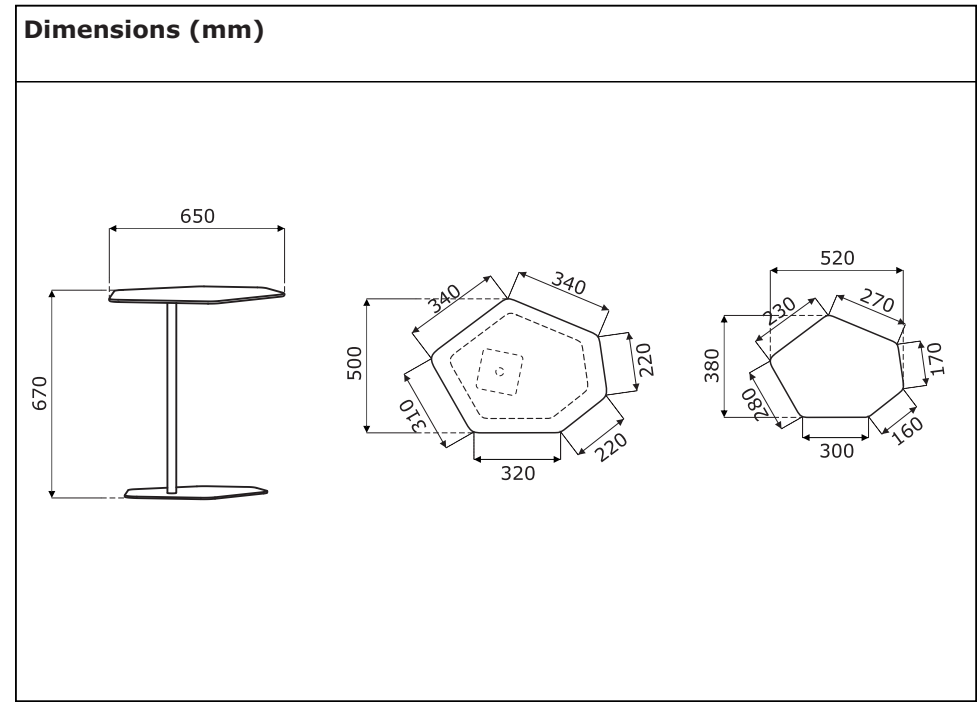





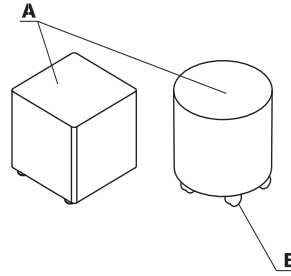
Table	
<p>1 Top - mass-dyed HPL, 10 mm thick 2 Frame - vertical column made of tube Ø30 mm, wall thickness 2 mm, powder coated 3 Base - sheet metal, powder coated steel, 5 mm thick</p>	



Stool							
	Symbol	Price EUR	Dimensions			kg m3 pcs	Comments
			Width	Depth	Height		
	BPN1	222,-	650	500	440	10.1 kg 0.162 m3 1 pcs	
	BPW1	294,-	650	500	740	12.9 kg 0.272 m3 1 pcs	
Table							
	B01S	384,-	650	500	670	12 kg 0.025 m3 1 pcs	

Extra charge							
II Price group	III Price group	IV price group					
34,-	82,-	110,-					
50,-	122,-	164,-					

Colour combination - Mix

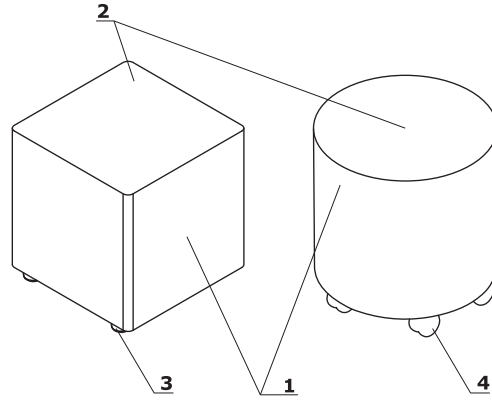


Material	Colour	MIX													
		A - Seat	B - Castors												
Fabric	Nemo	✓													
	Medley	II group ✓													
	**Atlantic	II group ✓													
	Vita	II group ✓													
	****Charles	II group ✓													
	Go Check	II group ✓													
	Mica	II group ✓													
	*Customer's own fabric	II group ✓													
	Synergy	III group ✓													
	***Silvertex	III group ✓													
	Tessa	III group ✓													
	Oceanic	III group ✓													
	Quest	III group ✓													
	Grain	III group ✓													
	Atlas	IV group ✓													
	Leather	IV group ✓													
		Black		✓											

* Employing the customer's fabric requires running upholstery tests in order to check the possibility of realisation. *** There is a possibility of ordering the product in full colour spectrum of Silvertex range, as per Spradling's pattern book, within 15 working days.
 ** There is a possibility of ordering the product in full colour spectrum of Atlantic range, as per Gabriel's pattern book, within 8 weeks. **** There is a possibility of ordering the product in full colour spectrum of Charles range, as per Dekoma pattern book, within the standard delivery time.

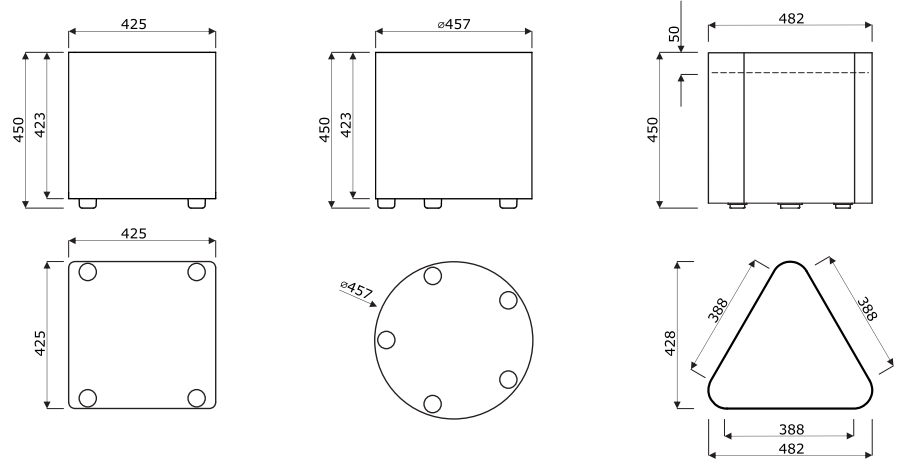
Technical specification

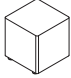
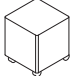
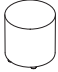
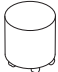


- 1 **Body** - chipboard 18 mm
- 2 **Seat** - cut foam: thickness 50 mm
- 3 **Polypropylene feet** - Ø50 mm, h 27 mm
- 4 **Castors** - Ø47 mm



- max. load 120 kg

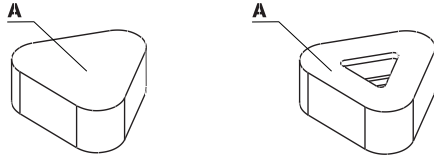
Dimensions (mm)



Stool							
	Symbol	Price EUR	Dimensions			kg m3 pcs	Comments
			Width	Depth	Height		
	MX01	214,-	430	430	450	8 kg 0.09 m3 1 pcs	
	MX01K	240,-	430	430	450	8 kg 0.09 m3 1 pcs	
	MX02	222,-	450	450	450	7.2 kg 0.103 m3 1 pcs	
	MX02K	250,-	450	450	450	7.6 kg 0.103 m3 1 pcs	
	MX03	260,-	480	430	450	10.67 kg 0.106 m3 1 pcs	
	MX04	264,-	458	308	426	7.6 kg 0.065 m3 1 pcs	

Extra charge						
II Price group	III Price group	IV price group				
27,-	62,-	88,-				
27,-	62,-	88,-				
27,-	62,-	88,-				
27,-	62,-	88,-				
27,-	62,-	88,-				
30,-	70,-	100,-				

Colour combination - Hana pouf

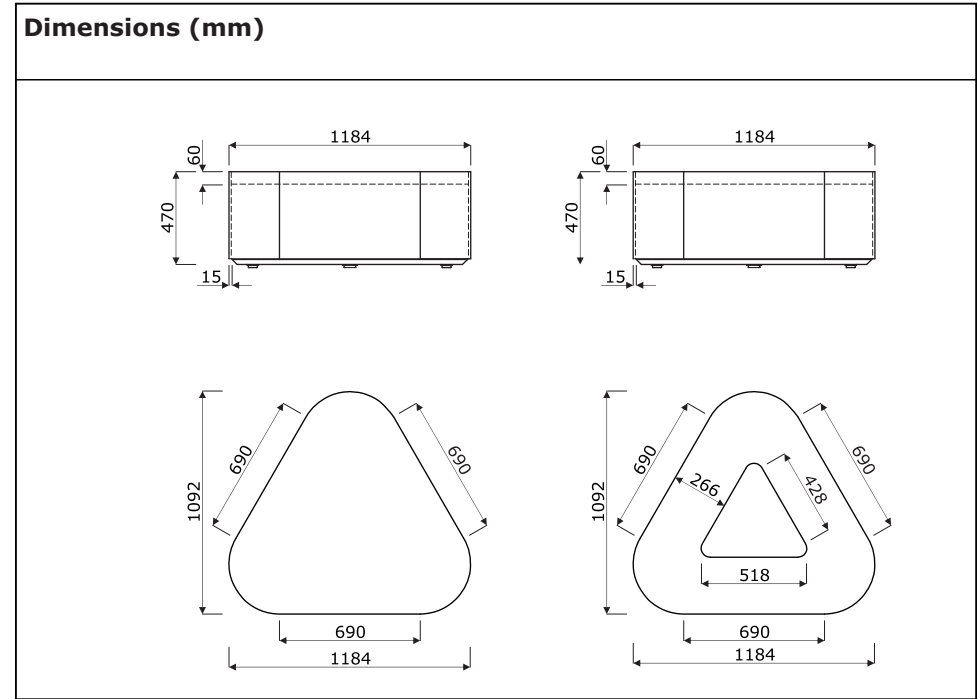
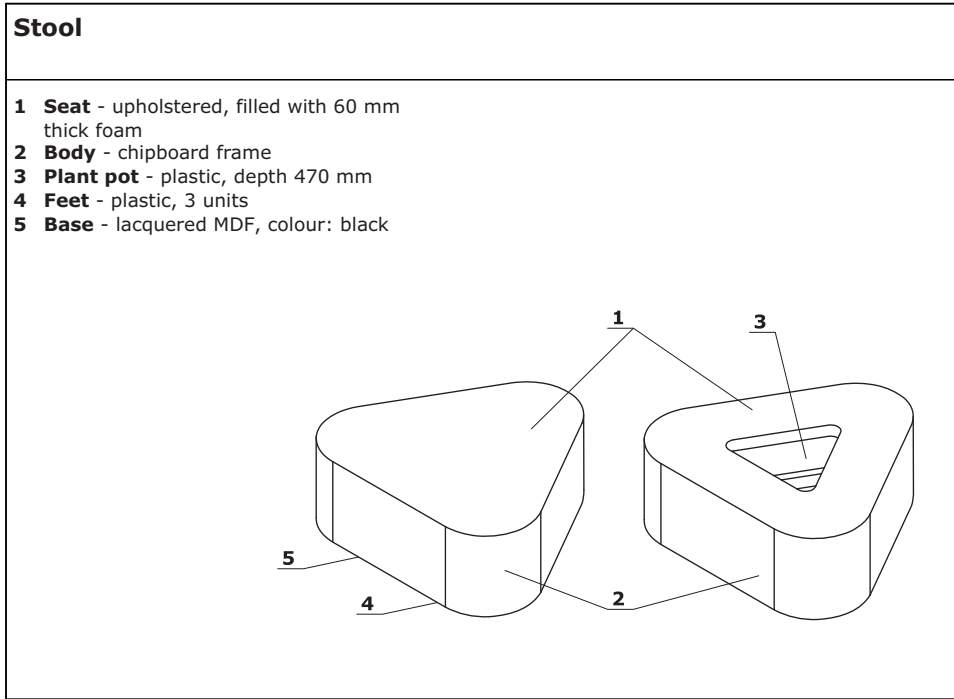


Material	Colour	Hana												
		A - Seat												
Fabric	Medley	✓												
	****Charles	✓												
	Go Check	✓												
	Mica	✓												
	*Customer's own fabric	III group												
	Synergy	III group												
	***Silvertex	III group												
	Oceanic	III group												
	Quest	III group												
	Grain	III group												
	Atlas	IV group												

* Employing the customer's fabric requires running upholstery tests in order to check the possibility of realisation.

** There is a possibility of ordering the product in full colour spectrum of Silvertex range, as per Spradling's pattern book, within 15 working days.

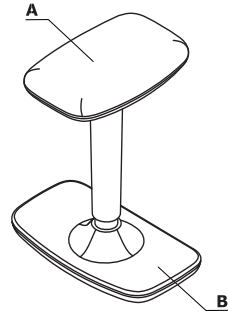
**** There is a possibility of ordering the product in full colour spectrum of Charles range, as per Dekoma pattern book, within the standard delivery time.



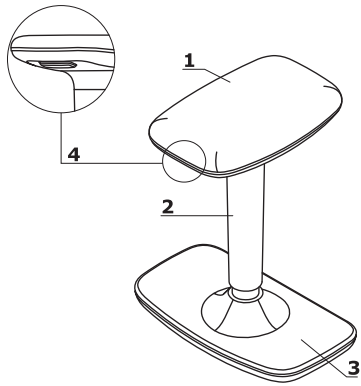
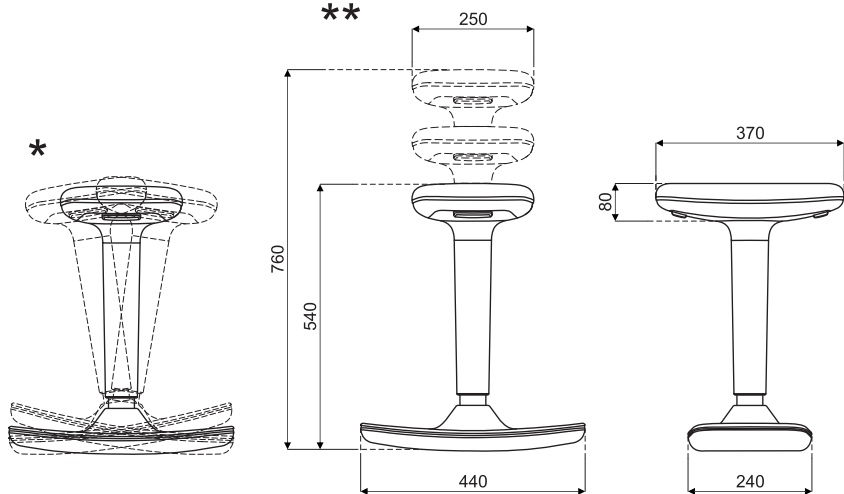
Stool							
	Symbol	Price EUR	Dimensions			kg m3 pcs	Comments
			Width	Depth	Height		
	HN02	1030,-	1180	1090	470	50 kg 0.65 m3 1 pcs	
	HN03	1335,-	1180	1090	470	47 kg 0.65 m3 1 pcs	


Extra charge						
III Price group	IV price group					
164,-	286,-					
164,-	286,-					

Colour combination - Cool

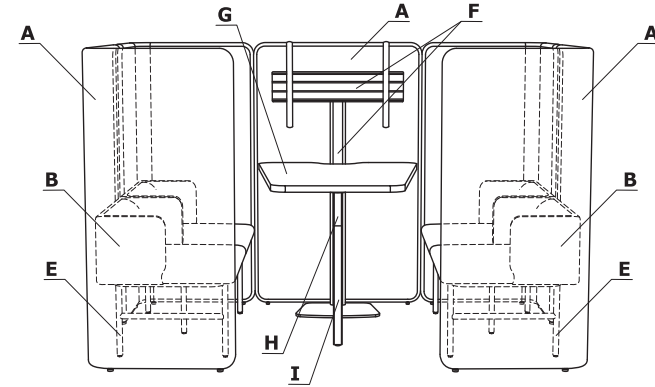
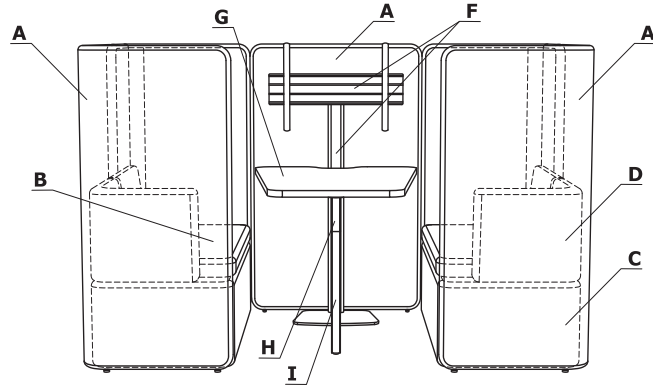


Material	Colour	Cool - stool														
		A - Seat	B - Base													
	Oceanic	✓														
	Black		✓													

Cool - stool		Dimensions (mm)	
<p>1 360° Seat - polypropylene base, molded foam, density of 65 kg/m³, upholstered</p> <p>2 Gas lift - polypropylene cover</p> <p>3 Base - polypropylene, covered in non-slip rubber</p> <p>4 Button - allowing for height adjustment</p>			
			
* wobble (left, right) +/- 20°			

Cool - stool								Extra charge						
	Symbol	Price EUR	Dimensions			kg m3 pcs	Comments							
			Width	Depth	Height									
	CL01	284,-	370	250	760	5.7 kg 0.091 m3 1 pcs	seat; base - clour: black							

Colour combination - Meeting cubicles



Material	Colour	Meeting cubicles														
		A - Screen	B - Seat	C - Base	D - Back	E - Base	F - TV stand	G - Top	H - Metal element	I - Base - wooden leg						
Fabric	Medley	✓	✓	✓	✓											
	**Atlantic	✓	✓	✓	✓											
	Vita	✓	✓	✓	✓											
	****Charles	✓	✓	✓	✓											
	Go Check	✓	✓	✓	✓											
	Mica	✓	✓	✓	✓											
	*Customer's own fabric	III group ✓	III group ✓	III group ✓	III group ✓											
	Synergy	III group ✓	III group ✓	III group ✓	III group ✓											
	***Silvertex	III group ✓	III group ✓	III group ✓	III group ✓											
	Tessa	III group ✓	III group ✓	III group ✓	III group ✓											
	Oceanic	III group ✓	III group ✓	III group ✓	III group ✓											
	Quest	III group ✓	III group ✓	III group ✓	III group ✓											
	Grain	III group ✓	III group ✓	III group ✓	III group ✓											
	Atlas	IV group ✓	IV group ✓	IV group ✓	IV group ✓											
	Leather	IV group ✓	IV group ✓	IV group ✓	IV group ✓											

* Employing the customer's fabric requires running upholstery tests in order to check the possibility of realisation.

*** There is a possibility of ordering the product in full colour spectrum of Silvertex range, as per Spradling's pattern book, within 15 working days.

** There is a possibility of ordering the product in full colour spectrum of Atlantic range, as per Gabriel's pattern book, within 8 weeks

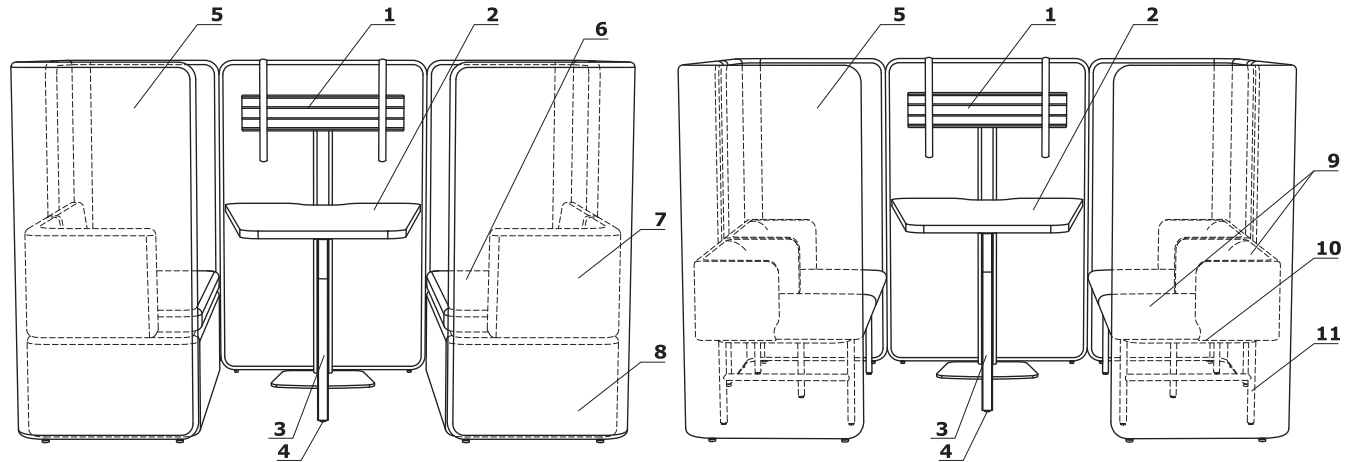
**** There is a possibility of ordering the product in full colour spectrum of Charles range, as per Dekoma pattern book, within the standard delivery time.

Material	Colour	Meeting cubicles													
	A - Screen	B - Seat	C - Base	D - Back	E - Base	F - TV stand	G - Top	H - Metal element	I - Base - wooden leg						
MFC	26 - aluminum satinato							✓							
	31 - canadian oak							✓							
	39 - polar birch							✓							
	64 - cocoa							✓							
	67 - white pastel							✓							
	106 - lowland walnut							✓							
	154 - anthracite							✓							
	08 - black							✓							
	167 - grey oak							✓							
	168 - natural oak							✓							
	169 - honey oak							✓							
	170 - acacia							✓							
	171 - dark walnut							✓							
	Natural ash									✓*					
Metal	Black						✓								
	M009 - aluminium semi-matt RAL 9006								✓						
	M015 - white semi-matt RAL 9010								✓						
	M016 - pearl white semi-matt RAL 1013														
	M115 - black semi-matt RAL 9005					✓			✓						
	M154 - anthracite semi-matt RAL 7043					✓			✓						

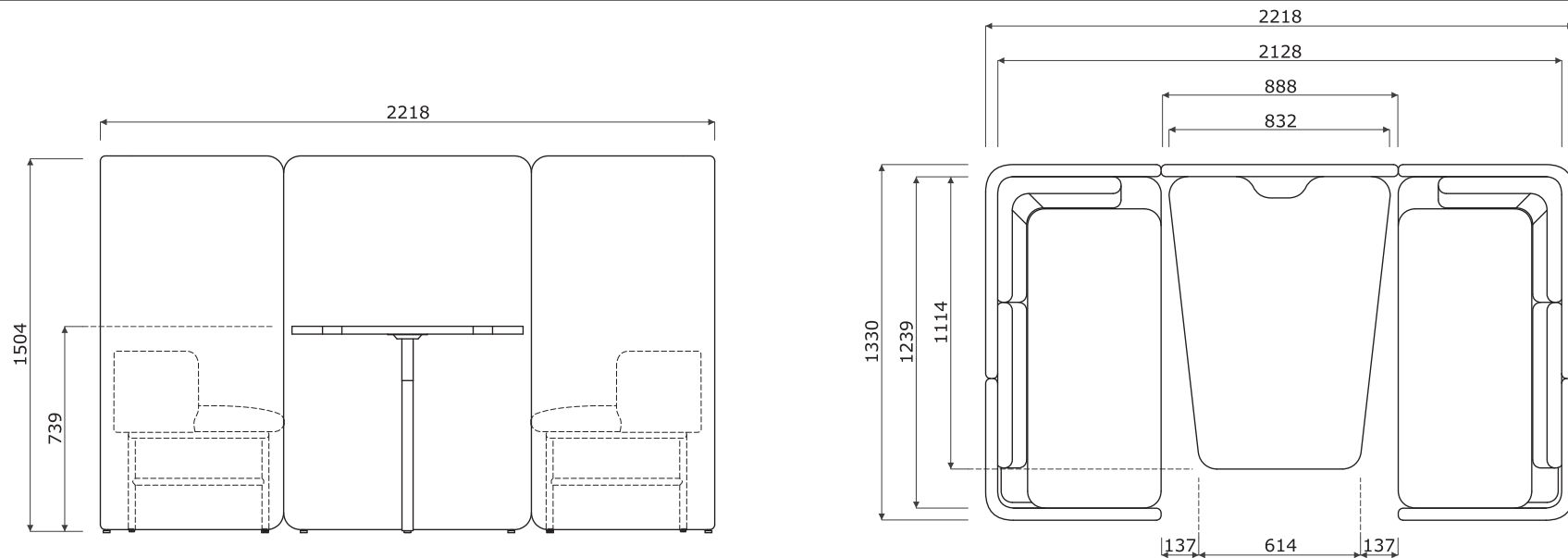
* the colour of desk legs may differ depending on natural wood ring pattern.

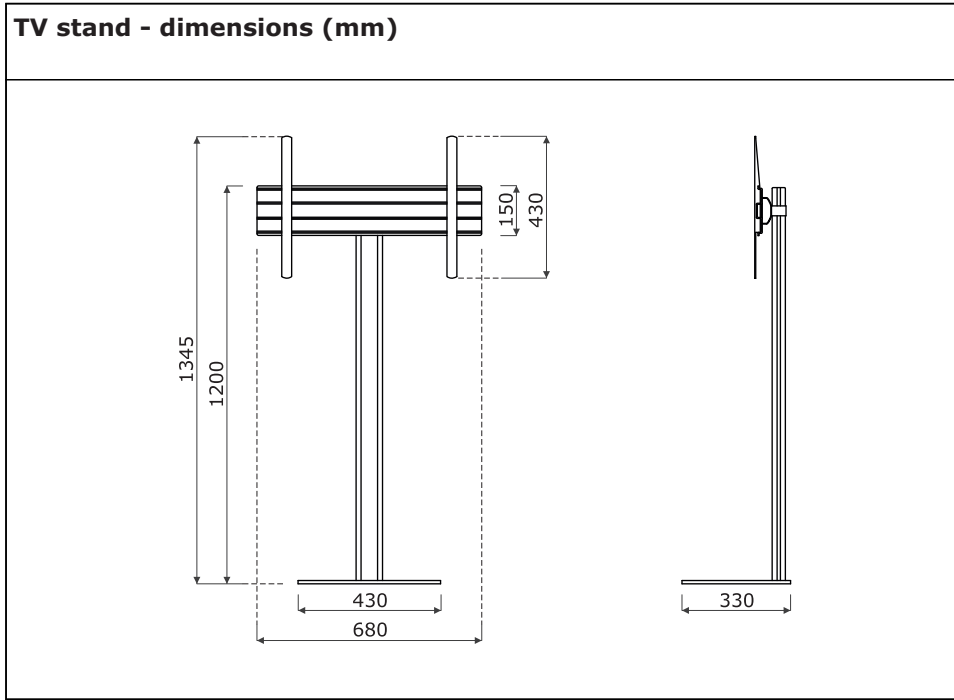
Meeting cubicles

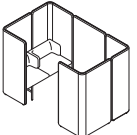
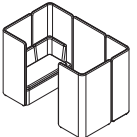
- 1 TV stand** - steel, max size of 32-70", max weight 50 kg; equipped with cable cover
- 2 Worktop** - MFC 28 mm, ABS edge
- 3 Natural wood** - ash, with metal element, powder coated, coated with transparent varnish, profile 40 × 40 mm, spacer 10 mm between top and frame
- 4 Leveling** - 10 mm range
- 5 Screen** - wooden frame, upholstered
- KAIVA:**
- 6 Seat** - cut foam, density of 55 kg/m³, upholstered
- 7 Backrest** - plywood covered with foam, density of 55 kg/m³, upholstered
- 8 Base** - cube, wooden frame, upholstered
- AGORA:**
- 9 Seat, backrest** - moulded foam, density of 52 kg/m³, upholstered
- 10 Base** - Ø25 mm, wall thickness 1.5 mm, powder coated
- 11 Legs** - finished with polypropylene feet in frame colour



Meeting cubicles - dimensions (mm)





Meeting cubicles							
	Symbol	Price EUR	Dimensions			kg m3 pcs	Comments
			Width	Depth	Height		
	AR08B	4550,-	2218	1330	1504	224 kg 4.437 m3 1 pcs	
	KAV11B	4900,-	2218	1330	1504	187 kg 4.437 m3 1 pcs	

Extra charge						
III Price group	IV price group	Table	TV stand			
760,-	1305,-	364,-	605,-			
1220,-	2110,-	364,-	605,-			

Technical data

Price group	Fabric	Material	Weight	Abrasion resistance rubs	Pilling resistance	Colour fastness to light	Colour fastness to rubbing	Flammability	More information
I	NEMO	Polyester 100%	366g/m2	PN-EN ISO 12947 - 2:2 100,000	Scale 1-8, max 8, PN-EN ISO 105 B02:2013 3-4	Scale 1-5, max 5, PN-EN 1021 - 2:2007, PN-EN 1021 - 1:2007	Scale 1-5, max 5, EN ISO 105x12, (wet/dry) 4-5		
II	RUNNER	Polyester 100%	320g/m2, 510g/lm	70,000 Martindale, BS EN 14465, EN ISO 12947-2	Scale 1-5, max 5, EN ISO 12945-2 4-5	Scale 1-8, max 8, EN ISO 105-B02 5-7	Scale 1-5, max 5, EN ISO 105x12, (wet/dry) 4-5	BS EN 1021-2 Match, BS EN 1021-1 Cigarette, California Bulletin CAL 117-E-Class 1, CA TB 117-2013, Class Uno UNI 9175 Class 1	Acoustic test sound absorption ISO 354
II	MEDLEY	Polyester 100%	364g/m2, 510g/lm	75,000 Martindale	Scale 1-5, max 5, EN ISO 12945-2 4	Scale 1-8, max 8, EN ISO 105-B02 5-7	Scale 1-5, max 5, EN ISO 105x12, (wet/dry) 4-5/4-5	BS EN 1021-2 Match, BS EN 1021-1 Cigarette, California Bulletin CAL 117-E-Class 1, CA TB 117-2013, Class Uno UNI 9175 Class 1	Acoustic test sound absorption: ISO 354
II	ATLANTIC	Polyester 100%	353g/m2, 530g/lm	110,000 Martindale, EN ISO 12947-2)		Scale 1-8, max 8, EN ISO 105-B02 5-7	Scale 1-5, max 5, EN ISO 105x12, (wet/dry) 4-5/4-5	BS EN 1021-2 Match, BS EN 1021-1 Cigarette, ASTM E 84, BS 476 Part 7, Class Uno UNI 9175 Class 1, NF P 92-503 M3P, CA TB 117-2013	
II	VITA	Surface: PVC, 98.5%, PU 1.5% Substrate: Polyester 50%, 50% Cotton	850g/m2, 1190g/lm	100,000 Martindale, EN ISO 5470-2:2003,		Scale 1-8, max 8, EN ISO 105-B02 5-7	Scale 1-5, max 5, EN ISO 105x12, (wet/dry) 4-5/4-5	BS EN 1021-2 Match, BS EN 1021-1 Cigarette, BS 5852:2006 Section 4, Ignition Source 5, BS 7176:2017 Medium Hazard NF P 95 503 M2, FMVSS 302 (ISO 3795)	Flexing cycles: BS EN ISO 7854:1997 Method B, 400,000, Anti-microbial/ Anti-fungal: AATCC 147:2011
II	CHARLES	Polyester 100%	433g/m2	90,000 Martindale, EN ISO 12947-2	Scale 1-5, max 5, EN ISO 12945-2 5	EN ISO 105-B02 5	Scale 1-5, max 5, EN ISO 105-X12, (wet/dry) 4-5	EN1021-2	Thread offset in the seam: EN ISO 13 936-2
II	GO CHECK	Trevira cs 100%	310g/m2	80,000 Martindale, EN ISO 12947-1,2 60,000 Double rubs wyzenbeek (ASTM D4157-07)	Scale 1-5, max 5, EN ISO 12945-2 5	Scale 1-8, max 8, EN ISO 105-B02 5-8	Scale 1-5, max 5, EN ISO 105-X12:2001, (wet/dry) 4-5/4-5	BS EN 1021-1&2 Cigarette and Match, BS 5852:2006 Crib 5, BS 7176:2017 Medium Hazard, NFP 92-503/504/505 M1, Class Uno UNI 9175 Class 1	
II	MICA	97% post-consumer recycled polyester / 3% polyester	218g/m2	60,000 Martindale, EN ISO 12947-2 100,000 Double rubs wyzenbeek (ASTM D4157-07)	Scale 1-5, max 5, EN ISO 12945-2 4-5	Scale 1-8, max 8, EN ISO 105-B02 5-8	Scale 1-5, max 5, EN ISO 105-X12:2001, (wet/dry) 4-5/4-5	BS EN 1021-1 Cigarette, BS EN 1021-2 Match, CA TB 117-2013, ASTM E 84 Class I, BS 476 Part 7 Class I	Acoustic test air flow resistanc EN 29053 & ISO 9053-1 (airflow resistance)



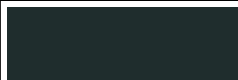









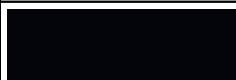
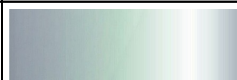
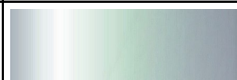
Technical data

Price group	Fabric	Material	Weight	Abrasion resistance rubs	Pilling resistance	Colour fastness to light	Colour fastness to rubbing	Flammability	More information
III	SYNERGY	Virgin Wool 95%, Polyamide 5%	400g/m2 560g/lm	100,000 Martindale		ISO 105 B02: 5	Scale 1-5, max 5, EN ISO 105-X12:2001, (wet/dry) 4/4	BS EN 1021-1&2 Cigarette and Match, BS 7176 Low Hazard, UNI 9175 Classe 1 IM, B 3825 & A 3800-1	
III	TESSA	Poliester 95%, Akryl 5%	500g/m2	>75,000 Martindale ISO 12 497-2	Scale 1-5, max 5, EN ISO 12945-2 4-5	ISO 105 B02: 4	Scale 1-5, max 5, EN ISO 105-X12:2001, (wet/dry) 4-5/4-5		Thread offset in the seam: EN ISO 13 936-2
III	OCEANIC	100% post-consumer recycled polyester including 50% Seaqual Yarn	497g/m2	≥100,000 Martindale		5 (ISO 105 - B02), OOC16: 4/5 (ISO 105 - B02)	Scale 1-5, max 5, EN ISO 105-X12:2001, (wet/dry) 4-5/4-5	BS EN 1021-1&2 Cigarette and Match, BS 7176 Low Hazard, BS 5852 Ignition Source 5 with EnviroFlam5, BS 7176 Medium Hazard with EnviroFlam5	
III	QUEST	100% post-consumer recycled polyester including 75% Seaqual Yarn	330g/m2	≥100,000 Martindale		4-6 (ISO 105 - B02)	Scale 1-5, max 5, EN ISO 105-X12:2001, (wet/dry) 4/4	BS EN 1021-1&2 Cigarette and Match, BS 7176 Low Hazard, BS 5852 Ignition Source 5 with EnviroFlam5, BS 7176 Medium Hazard with EnviroFlam5, B 3825 & A 3800-1	
III	GRAIN	2287: 92% post-consumer recycled polyester / 8% polyester 2288: 80% post-consumer recycled polyester / 20% polyeste	439g/m2	100,000 Martindale (EN ISO 12947-2), double rubs wyzenbeek (ASTM D4157-07) (heavy duty upholstery) 100,000	Scale 1-5, max 5, EN ISO 12945-2 5	scale 1-8, max. 8 5-7 (ISO 105 - B02)	Scale 1-5, max 5, EN ISO 105-X12:2001, (wet/dry) 4-5/4-5	BS EN 1021-1&2 Cigarette and Match, CA TB 117-2013	
IV	ATLAS	New wool 90% Nylon 10%	286g/m2 400g/lm	100,000 Martindale EN ISO 12947	EN ISO 12945-2 4-5	ISO 105 B02: 6-7	ISO 105-X12:2001, (wet/dry) 4-5/4-5	BS EN 1021-2 Match, BS EN 1021-1 Cigarette, BS 5 5852 Crib 5, BS 5852 ignition source 3, BS 5852 Part 1, NF D 60 013, UNI 9175 1IM, US Cal, Bull. 117-2013, MED. CertificateIMO	
IV	LEATHER	Leather type - corrected grain leather Type of finishing - pigmented leather		Dry: 500 cycles - min. 4 grey scale Wet: 250 cycles - min. 4 grey scale UNI EN ISO 11640		Light fastness: min. 4 grey scale UNI ISO 105-802		Match flame test: No ignition UNI EN 1021-1-2006 BS EN 1021-1-2006	

MFC

 08 - black	 26 - aluminum satinato	 31 - canadian oak	 39 - polar birch	 64 - cocoa	 67 - white pastel	 106 - lowland walnut	 154 - anthracite
 167 - grey oak	 168 - natural oak	 169 - honey oak	 170 - acacia	 171 - dark walnut			

Metal

 M010 - light grey semi-matt RAL 7044	 M011 - dark grey semi-matt RAL 7042	 M012 - dark green semi-matt RAL 6012	 M013 - burgundy semi-matt RAL 3007	 M014 - red semi-matt RAL 3016	 M016 - pearl white semi-matt RAL 1013	 26 - aluminum satinato	 M026 - olive semi-matte RAL 6013
 M027 - blue semi-matte RAL5003	 M028 - brick red semi-matte RAL 0404040	 M029 - yellow semi-matte RAL 0807060	 M030 - beige semi-matte RAL 0608005	 M115 - black semi-matt RAL 9005	 17 - chrom	 Stainless steel INOX	

HPL

 08 - black	 30 - white
---	---

Polyurethane/polypropylene

 Light grey RAL7044	 Dark grey RAL7042	 Dark green RAL6012	 Burgundy RAL 3007	 Red RAL3016	 Pearl white RAL1013	 Black RAL 9005
---	--	---	---	--	--	---

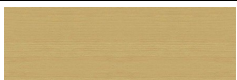


Linoleum

 Light grey	 Dark green	 Burgundy	 Black	 Blue
---	---	---	---	---

Plywood

 M017 - Light grey RAL 7044	 M018 - Dark grey RAL 7042	 M019 - Dark green RAL 6012	 M020 - Burgundy RAL 3007	 M021 - Red RAL 3016	 M022 - Black RAL 9005	 M025 - Light ash	 M031 - Olive RAL 6013
 M032 - Blue RAL 5003	 M033 - Beige RAL 0608005	 M034 - Brick red RAL 0404040	 M035 - Yellow RAL 0807060				


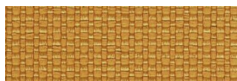
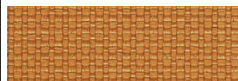


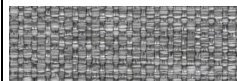




Wood

 Beech	 Black	 Natural ash
--	--	--



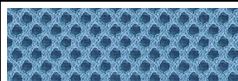
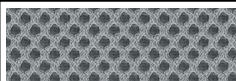

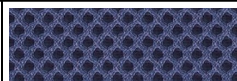



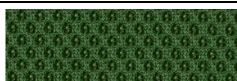
Veneer

 M023 - White pearl RAL 1013	 M020 - Burgundy RAL 3007	 M022 - Black RAL 9005	 M025 - Light ash
--	---	--	--



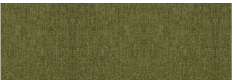



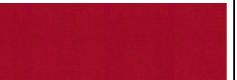

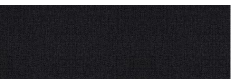
Fabric Nemo - first price group

 NE-1 - beige	 NE-2 - yellow	 NE-3 - orange	 NE-5 - red	 NE-9 - green	 NE-10 - grey	 NE-14 - graphite	 NE-15 - navy blue
 NE-16 - black	 NE-17 - blue						

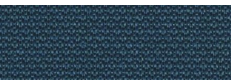





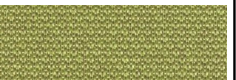



Fabric Runner - second price group

 R-63034 - orange	 R-64089 - red	 R-66063 - blue	 R-60011 - grey	 R-68056 - green	 R-66064 - navy blue	 R-60999 - black	 R-60025 - graphite
 R-61128 - beige	 R-68110 - Dark green						


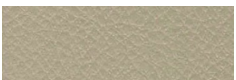

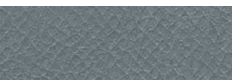


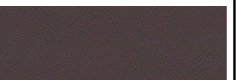
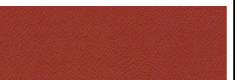

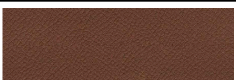



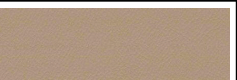

Fabric Medley - second price group

 M-66008 - grey	 M-60003 - light grey	 M-61189 - beige	 M-68005 - dark olive	 M-62002 - yellow	 M-62054 - mustard	 M-63017 - rust-brown	 M-64019 - red
 M-63064 - pink	 M-65011 - grey-violet	 M-66010 - blue	 M-67006 - light blue	 M-60999 - black			

Fabric Atlantic - second price group (Remaining Atlantic colours, as per Gabriel's pattern book, available within 8 weeks)

 A-67043 - dark turquoise	 A-67030 - aquamarine	 A-60141 - light grey	 A-60011 - grey	 A-66064 - navy blue	 A-65037 - violet	 A-62048 - olive	 A-64089 - red
 A-61078 - beige	 A-60025 - graphite						

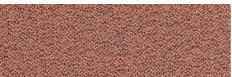



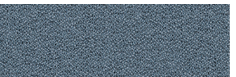



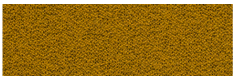

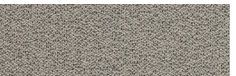


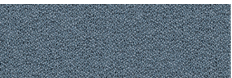
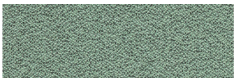
Fabric Vita - second price group

 V-01 - light grey	 V-02 - beige	 V-03 - yellow	 V-04 - grey	 V-07 - dark grey	 V-09 - olive	 V-10 - grey-brown	 V-11 - rust-brown
 V-12 - black	 V-39 - chocolate	 V-18 - aquamarine	 V-19 - blue	 V-29 - dark green	 V-44 - beige	 V-46 - brown	















Fabric Charles - second price group (There is a possibility of ordering the product in full colour spectrum of Charles range, as per Dekoma pattern book, within the standard delivery time.)

 C-01 - black	 C-05 - grey	 C-06 - beige	 C-14 - brown	 C-18 - rust-brown	 C-21 - red	 C-30 - pink	 C-31 - marsala
 C-32 - dark blue	 C-35 - blue	 C-41 - yellow	 C-44 - olive	 C-45 - green			




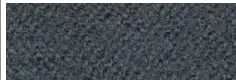






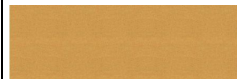
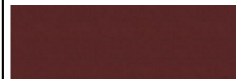
Fabric Mica - second price group

 MC-01 - pink	 MC-02 - red	 MC-03 - dark red	 MC-04 - navy blue	 MC-05 - blue	 MC-06 - aquamarine	 MC-07 - bottle green	 MC-08 - green
 MC-09 - olive	 MC-10 - light olive	 MC-11 - mustard	 MC-12 - yellow	 MC-13 - beige	 MC-14 - light grey	 MC-15 - grey	 MC-16 - graphite
 MC-17 - light blue	 MC-18 - mint						

Fabric Go check - second price group

 G-66136 - blue	 G-66135 - light blue	 G-60080 - dark grey	 G-66138 - navy blue	 G-60084 - dark graphite	 G-68149 - dark green	 G-68152 - green	 G-60079 - grey
 G-64183 - marsala	 G-63079 - orange	 G-64171 - red	 G-64172 - burgundy	 G-61144 - brown	 G-61145 - dark brown		


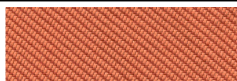
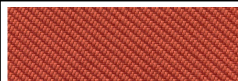

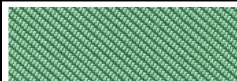

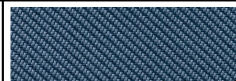

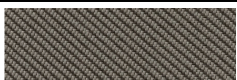

Fabric Synergy - third price group

 LDS08 - grey melange	 LDS20 - light grey	 LDS27 - black	 LDS29 - dark grey	 LDS50 - dark green	 LDS57 - turquoise	 LDS60 - bottle green	 LDS61 - plum
 LDS69 - navy blue	 LDS84 - orange	 LDS86 - red	 LDS88 - aubergine	 LDS19 - beige	 LDS44 - yellow	 LDS79 - brown	

Fabric Tessa - third price group











 T-08 - cream white	 T-09 - beige	 T-05 - grey	 T-03 - dark grey	 T-02 - graphite
---	---	--	--	--

Fabric Oceanic - third price group





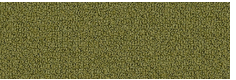





 O-16 - pink	 O-05 - coral	 O-12 - red	 O-07 - yellow	 O-04 - light green	 O-15 - light blue	 O-11 - blue	 O-13 - light grey
 O-08 - dark grey	 O-01 - black						

Fabric Silvertex - third price group - There is a possibility of ordering the product in full colour spectrum of Silvertex range, as per Spradling's pattern book, within 15 working days.

Fabric Quest - third price group

 Q-26 - pink	 Q-25 - orange	 Q-24 - red	 Q-21 - pastel yellow	 Q-19 - beige	 Q-18 - olive	 Q-13 - light green	 Q-07 - light blue
 Q-08 - navy blue	 Q-04 - graphite						

Fabric Grain - third price group

 GR-64249 - pink	 GR-62122 - yellow	 GR-62016 - light orange	 GR-63117 - orange	 GR-68243 - olive	 GR-66236 - sky-blue	 GR-66232 - navy blue	 GR-60301 - grey
 GR-61252 - beige	 GR-61250 - white						

Fabric Atlas - fourth price group

 AS-531 - orange	 AS-501 - pink	 AS-651 - red	 AS-681 - burgundy	 AS-391 - brown	 AS-781 - navy blue	 AS-161 - dark grey	 AS-111 - light grey
 AS-971 - light green	 AS-981 - dark green						

Leather - fourth price group

 L01 - black	 L02 - dark green	 L03 - navy blue	 L04 - light brown	 L05 - dark brown	 L06 - grey	 L07 - beige
--	---	--	---	---	---	--