

Pedestals KRT technical specification



.mdd

.mdd has a leading position among manufacturers of office furniture with many awards that prove quality and continuously increase demand for it's products.

The realities of today`s market require constant quality improvement at all levels of modern organization. This applies in particular to customer service, marketing, quality of products and also to quality of processes within the company.

Partnership relations among employees and with business partners form a base of economic growth and success of the company.

Constant investments in innovative machinery park, optimization of management systems and an expansion of production halls allow to minimize the lead times for the product of the highest quality.

More than twenty years of experience in office furniture industry come with reference from a long list of companies and institutions to show their appreciation for an efficient and comprehensive service.

.mdd is highly aware of the environment.

Being located in the forest region with lake by it's side, .mdd takes the nature seriously and invests constantly in a modern and energy-efficient solutions to preserve the local life. Company puts emphasis on waste segregation and recycling. .mdd has been awarded for the exceptional care and involvement in waste disposal. All materials used are environmentally friendly and enjoy a high 95 % rate of being recycled.



General informations:

Warranty:

.mdd products - **5 years.**

Electrical components and fabric - **2 years.**

Certificate - MFC:



Assembly:

the product comes pre-assembled

Packing:

cartboard

Compliant with standards:

PN-EN 14073-2:2006

Boards density:

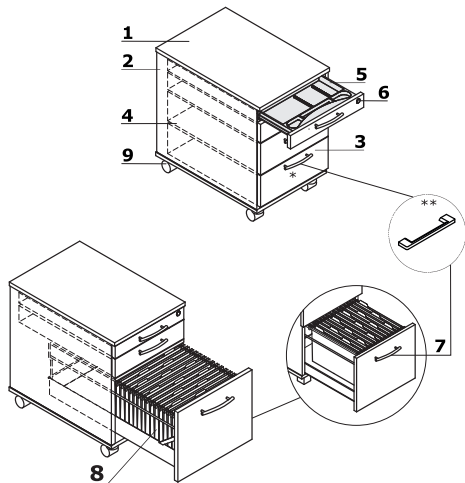
12 mm - 690 - 750 kg/m³

18 mm - 650 - 690 kg/m³

28 mm - 610 - 630 kg/m³

36 mm - 610 - 630 kg/m³

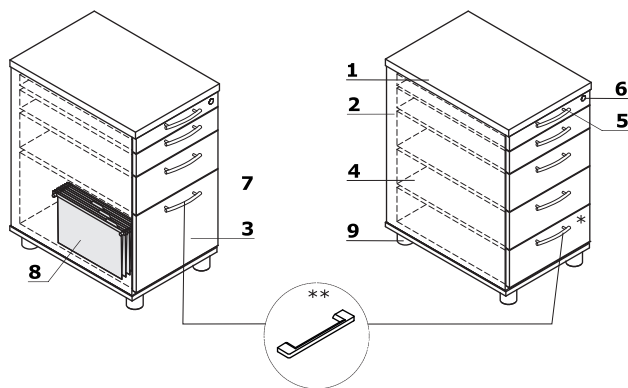
Mobile pedestals with separate pencil drawer - Standard



1. **Top** - MFC 18 mm, ABS edge
2. **Body** - MFC 18 mm, ABS edge
3. **Front** - MFC 18 mm, ABS edge
4. **Metal drawer** - roll runners, max load 25 kg, 80% extraction, anti-tilt mechanism; OPTION WITH EXTRA CHARGE - ball runners, soft-closing system
5. **Separate pencil drawer**
6. **Central lock** - foldable key
7. **Aluminum handle:**
* Standard
** OPTION WITH EXTRA CHARGE - handle Pro
8. **Suspension files drawer** - ball runners, max load 30 kg, 100% extraction, A4 folders can be situated parallelly and perpendicularly to the front
9. **Castors** - Ø50 mm, two with brakes

ATTENTION - sitting on the pedestal possible only after mounting the cushion (SKP13); the pedestal with cushion is intended for sitting only
- moving the pedestal while sitting may result in damaging the castors

Stationary pedestals with separate pencil drawer - Standard



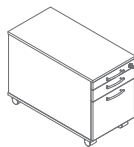
1. **Top** - MFC 28 mm, ABS edge
2. **Body** - MFC 18 mm, ABS edge
3. **Front** - MFC 18 mm, ABS edge
4. **Metal drawer** - roll runners, max load 25 kg, 80% extraction, anti-tilt mechanism; OPTION WITH EXTRA CHARGE - ball runners, soft-closing system
5. **Separate pencil drawer**
6. **Central lock** - foldable key
7. **Aluminum handle:**
* Standard
** OPTION WITH EXTRA CHARGE - handle Pro
8. **Suspension files drawer** - ball runners, max load 30 kg, 100% extraction, A4 folders can be situated parallelly and perpendicularly to the front
9. **Leveling** - 10 mm range

Pedestals KRT	Date of preparation 21.10.2021	The data contained in this document is valid in the day of its preparation. Change of the product, as long as it does not affect the basic features of it, does not require consistent updates of the document.	page 4/11 technical specification
----------------------	-----------------------------------	---	--------------------------------------

Mobile pedestals with separate pencil drawer - Standard *



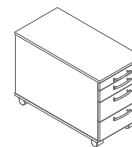
KRT12
402 / 600 / 586
31 kg



KRT120
402 / 800 / 586
35 kg



KRT13
402 / 600 / 586
24 kg



KRT130
402 / 800 / 586
28 kg

Stationary pedestals with separate pencil drawer - Standard *



KRT63
402 / 600 / 740
28 kg



KRT73
402 / 800 / 740
31 kg



KRT64
402 / 600 / 740
28 kg

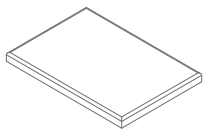


KRT74
402 / 800 / 740
31 kg

* dimensions expressed in millimeters: width x depth x height

Pedestals KRT	Date of preparation 21.10.2021	The data contained in this document is valid in the day of its preparation. Change of the product, as long as it does not affect the basic features of it, does not require consistent updates of the document.	page 5/11
			products

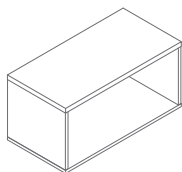
Pedestal cushion *



SKP13

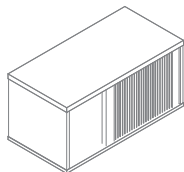
400 / 600 / 52
3 kg

Desktop storage *



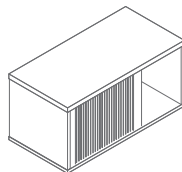
A1L02

800 / 402 / 389
18.8 kg



A1L04P

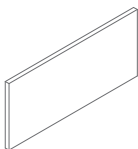
800 / 402 / 389
22.15 kg



A1L04L

800 / 402 / 389
19 kg

upholstered panel for cabinets A1L02, A1L04P i A1L04L *



PA1L

761 / 341 / 22
5 kg

* dimensions expressed in millimeters: width x depth x height

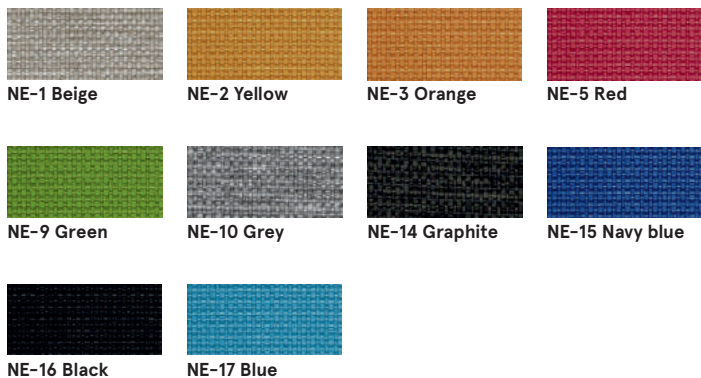
Pedestals KRT	Date of preparation 21.10.2021	The data contained in this document is valid in the day of its preparation. Change of the product, as long as it does not affect the basic features of it, does not require consistent updates of the document.	page 6/11
			products

Top, body, base, front



SKP13, PA1L

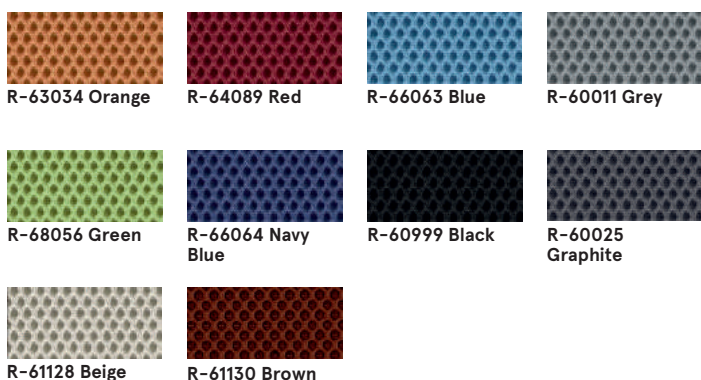
Fabric Nemo



Technical data:

Material polyester 100%
Fabric weight 366g/m2
Abrasion resistance rubs PN_EN ISO 12947 - 2:2 100,000
Pilling resistance scale 1-8, max. 8, PN-EN ISO 105 - B02 (3-4)
Colour fastness to light scale 1-5, max. 5, PN-EN 1021 - 2,
Colour fastness to rubbing PN-EN 1021 - 1
 scale 1-5, max. 5, EN ISO 105x12
 (wet/dry) 4-5

Fabric Runner - second price group



Technical data:

Material polyester 100%
Fabric weight 510 g/lm (16.45 oz/lin.yd.)
Abrasion resistance rubs BS EN ISO 12947-2
 70,000 Martindale cycles
Pilling resistance scale 1-5, max 5, EN ISO 12945-2 (4-5)
Colour fastness to light scale 1-8, max 8, EN ISO 105-B02 (5-7)
Colour fastness to rubbing scale 1-5, max 5, EN ISO 105x12
 (wet/dry) 4-5
Acoustic test sound absorption ISO 354
Flammability BS EN 1021-2 Match,
 CA TB 117-2013, BS EN 1021-1
 (cigarette) Class Uno UNI 9175 Class 2,
 EMME

* body - II group

Fabric Medley – second price group



M-68005 Dark olive
M-66008 Grey
M-64019 Red
M-63064 Pink
M-60999 Black
M-61189 Beige
M-60003 Light grey
M-62054 Mustard
M-62002 Yellow
M-66010 Blue
M-65011 Grey-violet
M-63017 Rusty
M-67006 Light blue

Technical data:

Material polyester 100%
Fabric weight 510 g/lm (16.45 oz/lin.yd.)
Abrasion resistance rubs BS EN ISO 12947-2, 75,000 cykli Martindale
Pilling resistance scale 1-5, max. 5, EN ISO 12945-2 (4)
Colour fastness to light scale 1-8, max. 8, EN ISO 105-B02 (5-7)
Colour fastness to rubbing scale 1-5, max. 5, EN ISO 105x12 (wet/dry (4-5/4-5))
Acoustic test sound absorption ISO 354
Flammability BS EN 1021-1 (cigarette)
 BS 476 Part 7, Class 2
 Class Uno UNI 9174 - UNI 8457
 CA TB 117-2013
 ASTM E 84 Class I

Fabric Atlantic * – second price group



A-67043 Dark turquoise
A-67030 Aquamarine
A-60141 Light grey
A-60011 Grey
A-66064 Navy blue
A-65037 Violet
A-62048 Olive
A-64089 Red
A-61078 Beige
A-60025 Graphite

Technical data:

Material polyester 100%
Fabric weight 530 g/lm (17.09 oz/lin.yd.)
Abrasion resistance rubs BS EN ISO 12947-2, 110,000 Martindale cycles
Pilling resistance scale 1-5, max. 5, EN ISO 12945-2 (4-5)
Colour fastness to light scale 1-8, max. 8, EN ISO 105-B02 (5-7)
Colour fastness to rubbing scale 1-5, max. 5, EN ISO 105x12 (wet/dry)
Flammability CA TB 117-2013
 ASTM E 84 Class I
 BS EN 1021-2 (match)
 BS EN 1021-1 (cigarette)

Fabric Vita – second price group



V-01 Light grey
V-02 Beige
V-03 Yellow
V-04 Grey
V-07 Dark grey
V-09 Olive
V-10 Grey-brown
V-11 Rusty
V-12 Black
V-13 Chocolate
V-18 Aquamarine
V-19 Blue
V-29 Dark green

Technical data:

Material Surface: 98,5% PVC, 1,5% PU
 Substrate: 50% poliester, 50% Cotton
Fabric weight 850g/m2 ± 10% (1190G/lin. m ± 10%)
Abrasion resistance rubs BS EN ISO 5470-2, 100,000 Martindale cycles
Colour fastness to light 6 (ISO 105 - B02)
Colour fastness to rubbing wet: 4, dry: 4 (ISO 105 - X12)
Flammability BS EN 1021 - (cigarette)
 BS EN 1021 - 2 (match)
 BS 5852 - (Ignition Source 5)
 BS 7176 - (Medium Hazard)
Flexes BS EN ISO 7854 - Method B, 400.000 Flexing cycles
Anti-microbial / Anti-fungal AATCC 147

* There is a possibility of ordering the product in full colour spectrum of Atlantic range, as per Gabriel's pattern book, within 8 weeks

Fabric Mica - second price group



Technical data:

Material post-consumer recycled polyester 97%, polyester 3%

Fabric weight 305 g/lm

Abrasion resistance rubs 60,000 rubs martindale (EN ISO 12947-2)

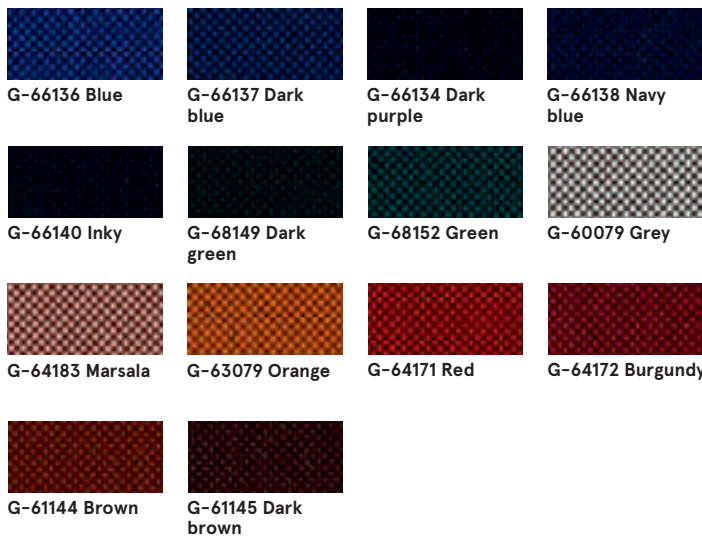
Pilling resistance scale 1-5, max. 5 - EN ISO 12945-2, 4-5

Light fastness scale 1-8, max. 8 - EN ISO 105-B02, 5-8

Rubbing fastness dry: 4-5, wet: 4-5, scale 1-5, max. 5 - EN ISO 105x12

Flammability CA TB 117-2013
ASTM E 84 Class I
BS EN 1021-1 Cigarette
BS EN 1021-2 Match
BS 476 Part 7 class I

Fabric Go Check - second price group



Technical data:

Material 100% Trevira CS

Fabric weight 435g/lm

Abrasion resistance rubs 80,000 rubs martindale (EN ISO 12947-2)

Pilling resistance scale 1-5, max. 5 - EN ISO 12945-2, 5

Light fastness scale 1-8, max. 8 - EN ISO 105-B02, 5-8

Rubbing fastness dry: 4-5, wet: 4-5, scale 1-5, max. 5 - EN ISO 105x12

Flammability BS EN 1021 1&2 Cigarette and Match
BS EN 1021-1 Cigarette
BS 5852 Crib 5
BS 7176 Medium hazard
DIN 4102 - B1
NFP 92-503/504/505 M1
ÖNORM A3800-B1-B3825-Q1 UK
Class Uno UNI 9175 Class 1 I EMME
FAR/JAR 25.853 (a) (i) (ii)
CA TB 117-2013
DIN EN 13501-1 B-s1,d0
AM 18 - NF D 60-013-(only for fabric)

Fabric Charles - second price group



Technical data:

Material 100% polyester
Fabric weight 433g/m2
Abrasion resistance rubs 90,000 Martindale cycles (EN ISO 12947-2)
Pilling resistance EN ISO 12945-2, 5
Light fastness EN ISO 105-B02, 5
Rubbing fastness dry: 4-5, wet: 4-5, EN ISO 105x12
Flammability EN 1021, 1

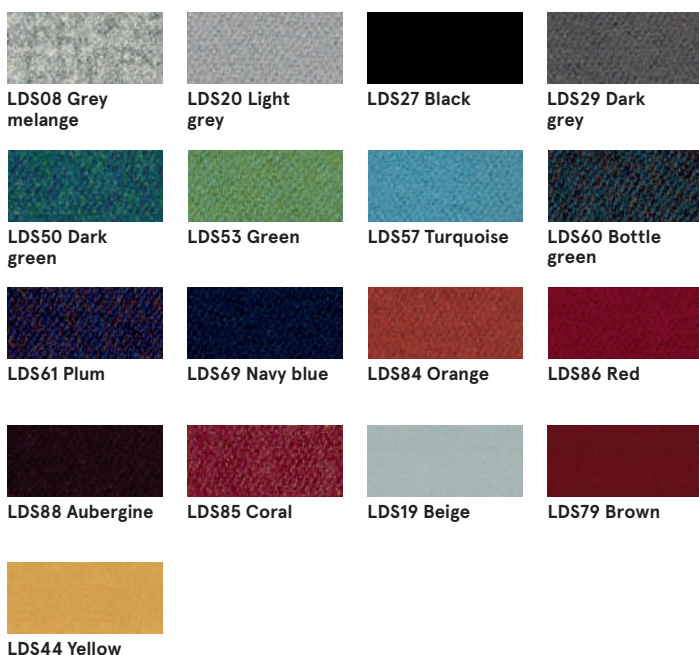
Fabric Xtreme - third price group



Technical data:

Material 100% Trevira Clame (CS)
 100% Recycling (YS)
 Flame Retardant polyester.
 Non metallic dyestuffs.
Fabric weight 310 g/m2 ±5% (435g/lin.m ±5%)
Abrasion resistance rubs 60,000 Martindale cycles (CS)
 100,000 Martindale cycles (YS)
Colour fastness to light 6 (ISO 105 - B02)
Colour fastness to rubbing wet: 4, dry: 4 (ISO 105 - X12)
Flammability EN 1021 - 1 (cigarette),
 EN 1021 - 2 (match)
 BS 7176 Low Hazard,
 NF P92-507 M1, DIN 4102 B1,
 UNI 9175 Class 1 IM, UNI 8456,
 UNI 9174 & UNI 9177 Classe Uno,
 ÖNORM B 3825 & A 3800-1
 NF D 60-013

Fabric Synergy - third price group



Technical data:

Material 95% Virgin Wool, 5% Poliamid
Fabric weight 400g/m2 ±5% (560 g/lin.m ±5%)
Abrasion resistance rubs Independently certified
 ≥100,000 Martindale cycles
Colour fastness to light 5 (ISO 105 - B02)
Colour fastness to rubbing ISO 105 - X12 - wet: 4, dry: 4
Flammability EN 1021 - 1 (cigarette),
 EN 1021 - 2 (match),
 BS 7176 Low Hazard,
 UNI 9175 Classe 1 IM,
 ÖNORM B 3825 & A 3800-1

Fabric Silvertex – third price group

There is a possibility of ordering the product in full colour spectrum of Silvertex range, as per Spradling’s pattern book, within 15 working days.

Technical data:

Material	Topcoat: 100% Vinyl Backing: 100% Polyester Hi-Loft™
Fabric weight	685 gr/m2
Abrasion resistance	>300,000 cycles Martindale
UV-resistance	>= 7 (1000 hours, blue wool scale)
Cold Crack resistance	-23°C
Flame retardancy	NF P 92-503 / M2 EN 1021, Part 1&2 DIN 4102 B2 ÖNORM B 3825, Gruppe I – Schwerbrennbares Verhalten ÖNORM A 3800, Teil I, Qualmbildungsklasse QI – schwachqualmend IMO Res. MSC.307 (88) (2010 FTP Code) Annex I Part 8 (MED) Marine Equipment Directive in its current valid version UNI 91 75 (1987) / UNI 9175/FAI (1994) Classe I.IM (uno I EMME) UNE 23.727-90 IR /M2 EN 71-2: 2006+AI: 2007 Safety of Toys – Part 2: Flammability ECE R 11 8 (replaces Directive 95/28/EC) FMVSS 302 FAR 25/853
Antimicrobial	Antifungal Protection, Antibacterial Protection, Antimycotic Protection

Fabric Atlas – fourth price group



Technical data:

Material	90% new wool, 10% nylon
Fabric weight	286g/m2, 400g/lm
Abrasion resistance rubs	100,000 cykli Martindale, EN ISO 12947
Colour fastness to light	ISO 105 B02: 6-7
Colour fastness to rubbing	ISO 105-X12:2001, (wet/dry) 4-5/4-5
Flammability	BS EN 1021-2 Match, BS EN 1021-1 Cigarette, BS 5 5852 Crib 5, BS 5852 ignition source 3, BS 5852 Part 1, NF D 60 013, UNI 9175 1IM, US Cal. Bull. 117-2013

Fabric Field2 – fourth price group



Technical data:

Material	100% Trevira CS
Fabric weight	321g/m2, 450g/lm
Abrasion resistance rubs	100,000 cykli Martindale, EN ISO 12947
Colour fastness to light	ISO 105 B02: 5-7
Flammability	BS EN 1021-2 Match, BS EN 1021-1 Cigarette, BS 5 5852 Crib 5, DIN 4102 B1 FAR 25.853, UNI 9177 classe 1, US Cal. Bull. 117-2013