

# Ogi V

## technical specification



.mdd

**.mdd has a leading position among manufacturers of office furniture with many awards that prove quality and continuously increase demand for it's products.**

The realities of today`s market require constant quality improvement at all levels of modern organization. This applies in particular to customer service, marketing, quality of products and also to quality of processes within the company.

Partnership relations among employees and with business partners form a base of economic growth and success of the company.

Constant investments in innovative machinery park, optimization of management systems and an expansion of production halls allow to minimize the lead times for the product of the highest quality.

**More than twenty years of experience in office furniture industry come with reference from a long list of companies and institutions to show their appreciation for an efficient and comprehensive service.**

**.mdd is higly aware of the environment.**

Being located in the forest region with lake by itis side, .mdd takes the nature seriously and invests constantly in a modern and energy-efficient solutions to preserve the local life. Company puts emphasis on waste segregation and recycling. .mdd has been awarded for the exceptional care and involvement in waste disposal. All materials used are environmentally friendly and enjoy a high 95 % rate of being recycled.



## General informations:

### Warranty:

.mdd products – **5 years**.

Electrical components and fabric – **2 years**.

### Certificate - MFC:



### Assembly:

product delivered in separate elements

### Packing:

cardboard

### Compliant with standards:

PN-EN 527-2:2017-02

### Boards density:

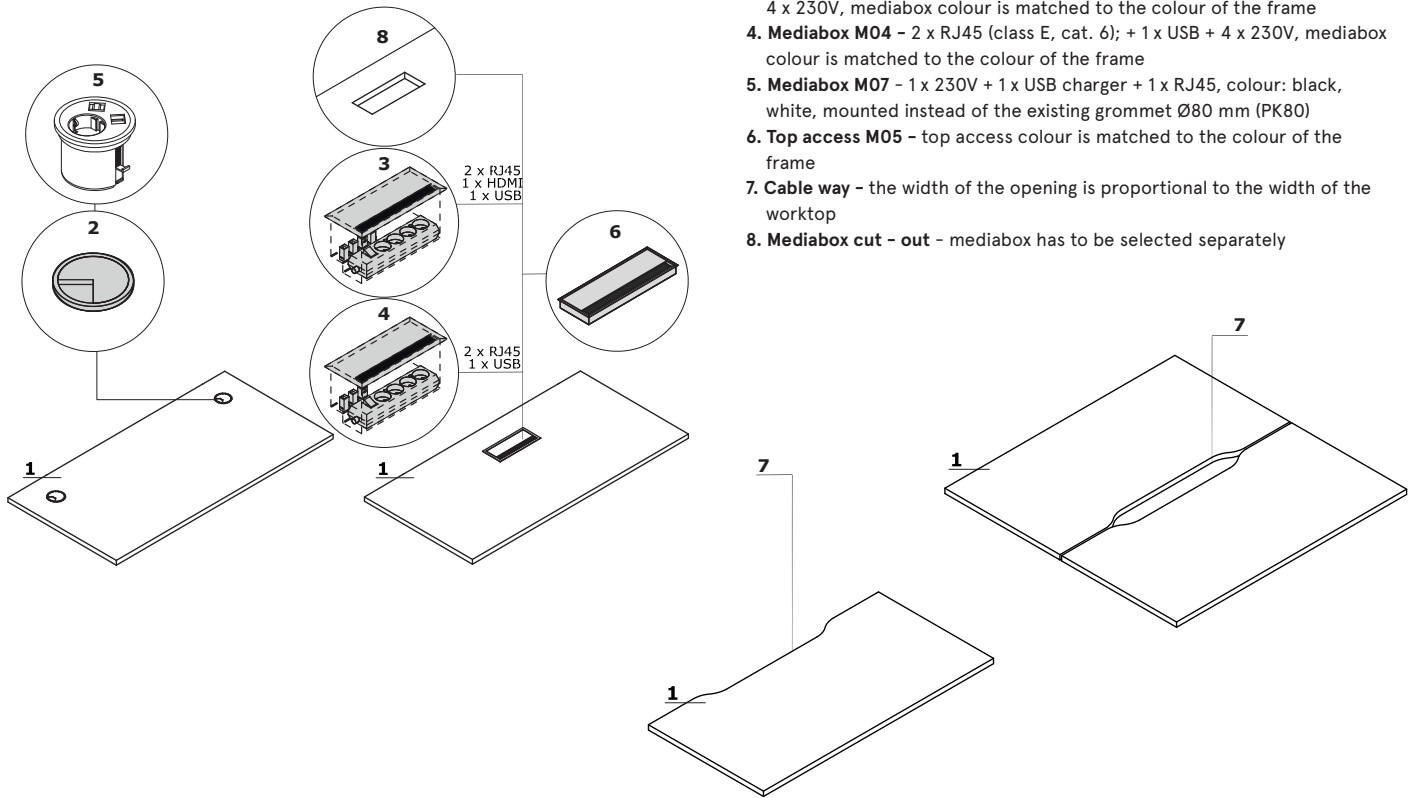
12 mm - 690 - 750 kg/m<sup>3</sup>

18 mm - 650 - 690 kg/m<sup>3</sup>

28 mm - 610 - 630 kg/m<sup>3</sup>

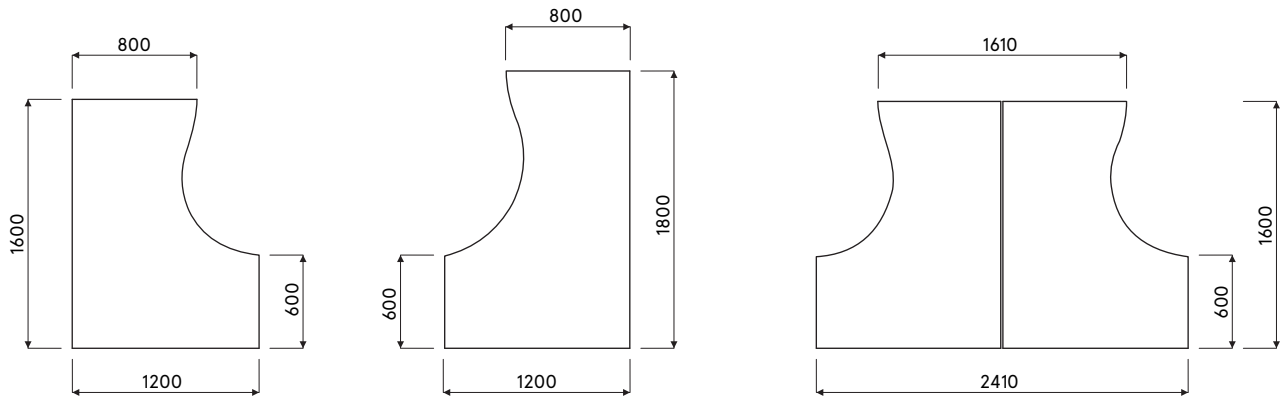
36 mm - 610 - 630 kg/m<sup>3</sup>

Ogi desk worktops



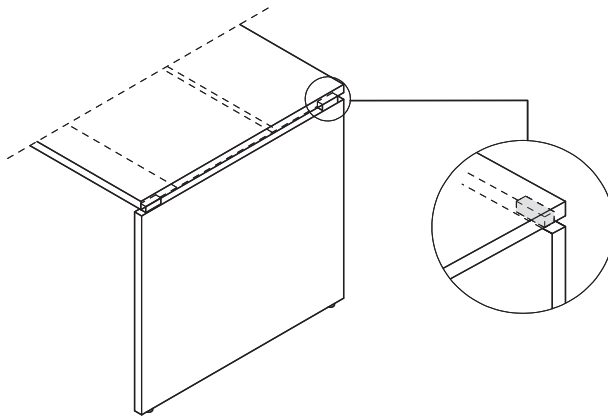
- 1. **Worktop** - MFC 28 mm, ABS edge
- OPTIONS WITH EXTRA CHARGE:**
- 2. **Grommet** - 2 pcs, Ø 80 mm
- 3. **Mediabox M04H** - 2 x RJ45 (class E, cat. 6); + 1 x USB + 1 x HDMI + 4 x 230V, mediabox colour is matched to the colour of the frame
- 4. **Mediabox M04** - 2 x RJ45 (class E, cat. 6); + 1 x USB + 4 x 230V, mediabox colour is matched to the colour of the frame
- 5. **Mediabox M07** - 1 x 230V + 1 x USB charger + 1 x RJ45, colour: black, white, mounted instead of the existing grommet Ø80 mm (PK80)
- 6. **Top access M05** - top access colour is matched to the colour of the frame
- 7. **Cable way** - the width of the opening is proportional to the width of the worktop
- 8. **Mediabox cut - out** - mediabox has to be selected separately

Dimensions of radial worktops (mm)



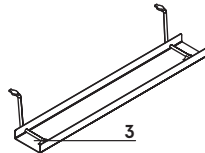
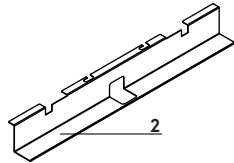
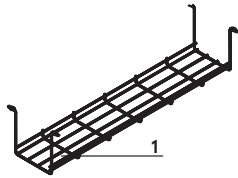
**Frame**

Ogi V: legs - MFC 28 mm, modesty panel - MFC 18 mm, aluminum spacer 60x20 mm between top and leg



Attention - the cable tray located underneath the worktop is only available in: M009 - aluminium semi-matte colour

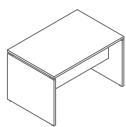
**Accessories**



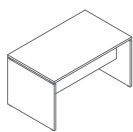
1. Horizontal cable tray S69 - powder coated, colour: 09 - aluminum
2. Single desk horizontal cable tray (SG12, SG16) - powder coated metal, colour: M009 - aluminum semi-matt
3. Horizontal cable tray E64 - powder coated, colour: M009 - aluminium semi-matt

Ogi V	Date of preparation 25.02.2021	The data contained in this document is valid in the day of its preparation. Change of the product, as long as it does not affect the basic features of it, does not require consistent updates of the document.	page 3/9 <b>technical description</b>
-------	-----------------------------------	---	--

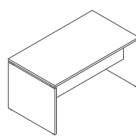
Desks \*



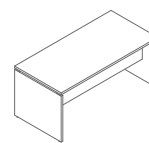
**BVG02**  
1200 / 800 / 740  
45.2 kg



**BVG03**  
1400 / 800 / 740  
49.6 kg

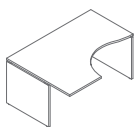


**BVG04**  
1600 / 800 / 740  
53.5 kg

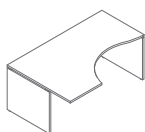


**BVG05**  
1800 / 800 / 740  
57.9 kg

Radial desks \*



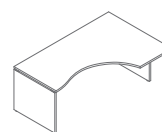
**BVG10**  
1600 / 1200 / 740  
57.5 kg



**BVG17**  
1800 / 1200 / 740  
65.5 kg



**BVG11**  
1600 / 1200 / 740  
57.5 kg



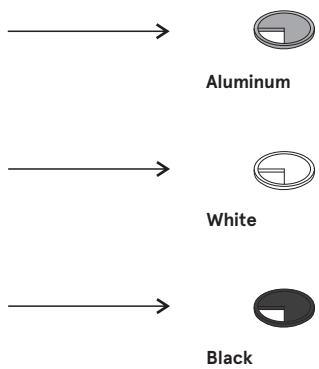
**BVG18**  
1800 / 1200 / 740  
65.5 kg

\* dimensions expressed in millimeters: width x depth x height

Worktop, top, base, body, front



Grommet



Frame, mediabox - metal



\* body - II group