

Mobile storage - multifunction technical specification



.mdd

.mdd has a leading position among manufacturers of office furniture with many awards that prove quality and continuously increase demand for its products.

The realities of today's market require constant quality improvement at all levels of modern organization. This applies in particular to customer service, marketing, quality of products and also to quality of processes within the company.

Partnership relations among employees and with business partners form a base of economic growth and success of the company.

Constant investments in innovative machinery park, optimization of management systems and an expansion of production halls allow to minimize the lead times for the product of the highest quality.

More than twenty years of experience in office furniture industry come with reference from a long list of companies and institutions to show their appreciation for an efficient and comprehensive service.

.mdd is highly aware of the environment.

Being located in the forest region with lake by its side, .mdd takes the nature seriously and invests constantly in a modern and energy-efficient solutions to preserve the local life. Company puts emphasis on waste segregation and recycling. .mdd has been awarded for the exceptional care and involvement in waste disposal. All materials used are environmentally friendly and enjoy a high 95 % rate of being recycled.



General informations:

Warranty:

.mdd products – **5 years**.

Electrical components and fabric – **2 years**.

Certificate - MFC:



Assembly:

product delivered in separate elements

Packing:

cardboard, wooden crate

Compliant with standards:

PN-EN 14073-2:2006

Boards density:

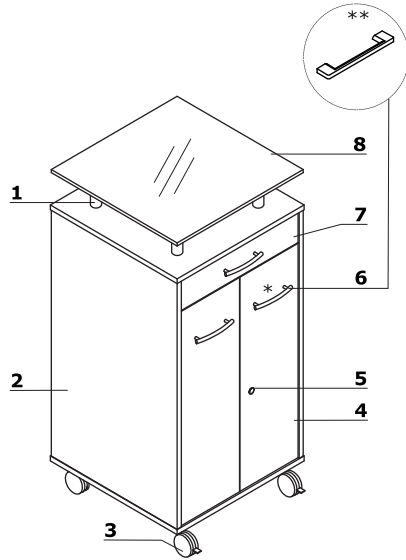
12 mm – 690 – 750 kg/m³

18 mm – 650 – 690 kg/m³

28 mm – 610 – 630 kg/m³

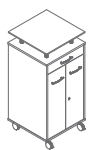
36 mm – 610 – 630 kg/m³

Mobile storage - multifunction



- 1. Spacers - 120 mm
- 2. Body - MFC 18 mm, ABS edge
- 3. Castors - Ø75 mm , two with brakes
- 4. Front - MFC 18 mm, ABS edge, plain hinge 110°
- 5. Patent lock
- 6. Aluminum handle:
- * Standard
- ** OPTION WITH EXTRA CHARGE - handle Pro
- 7. Drawer - 100% extractionn, metal, max load 30 kg, cutlery tray
- 8. Top - temepered frosted glass - 12 mm; painted on bottom

Mobile storage - multifunction *



A3R02
550 / 550 / 1188
111.9 kg

* dimensions expressed in millimeters: width x depth x height

Mobile storage - multifunction	Date of preparation 13.10.2021	The data contained in this document is valid in the day of its preparation. Change of the product, as long as it does not affect the basic features of it, does not require consistent updates of the document.	page 4/5
			products

Mobile storage - multifunction



26 Aluminum
satinato



67 White pastel



154 Anthracite



08 Black