

Folding tables - Fold technical specification



.mdd

.mdd has a leading position among manufacturers of office furniture with many awards that prove quality and continuously increase demand for it's products.

The realities of today`s market require constant quality improvement at all levels of modern organization. This applies in particular to customer service, marketing, quality of products and also to quality of processes within the company.

Partnership relations among employees and with business partners form a base of economic growth and success of the company.

Constant investments in innovative machinery park, optimization of management systems and an expansion of production halls allow to minimize the lead times for the product of the highest quality.

More than twenty years of experience in office furniture industry come with reference from a long list of companies and institutions to show their appreciation for an efficient and comprehensive service. .mdd is highly aware of the environment.

Being located in the forest region with lake by it's side, .mdd takes the nature seriously and invests constantly in a modern and energy-efficient solutions to preserve the local life. Company puts emphasis on waste segregation and recycling. .mdd has been awarded for the exceptional care and involvement in waste disposal. All materials used are environmentally friendly and enjoy a high 95 % rate of being recycled.



General informations:

Warranty:

.mdd products - **5 years.**

Electrical components and fabric - **2 years.**

Certificate - MFC:



Boards density:

12 mm - 690 - 750 kg/m³

18 mm - 650 - 690 kg/m³

28 mm - 610 - 630 kg/m³

36 mm - 610 - 630 kg/m³

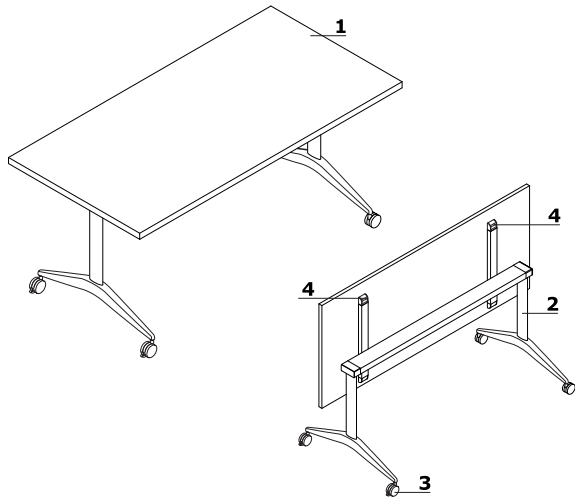
Assembly:

product delivered in separate elements

Packing:

cartboard

Fold - folding tables



1. Worktop - MFC 28 mm, ABS edge

OPTION WITH EXTRA CHARGE:

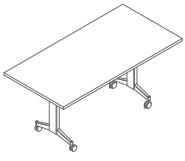
* worktop covered in nano - tech laminate FENIX, colour: black, 30 mm worktop thickness; ABS edges, colour: black or with an additional fee - natural ash option

2. Leg - powder coated steel, colour: white, black, aluminium or with an additional fee - chrome option

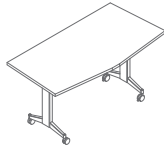
3. Wheels with brake - Ø60 mm

4. Release button - folding/unfolding table via pulling the latch

Fold - folding tables *



FD03
1600 / 800 / 740
40,5 kg



FD02
1486 / 743 / 740
37,5 kg

* dimensions expressed in millimeters: width x depth x height

Folding tables Fold	Date of preparation 11.02.2021	The data contained in this document is valid in the day of its preparation. Change of the product, as long as it does not affect the basic features of it, does not require consistent updates of the document.	page 4/5
			products

Top



14 Beech



26 Aluminum satinato



31 Canadian oak



34 Chestnut



39 Polar birch



64 Cocoa



67 White pastel



106 Lowland walnut



154 Anthracite



08 Black



167 Grey oak



168 Natural oak



Fenix black matte *

Frame



M009 Aluminum semi-mat RAL9006



M015 White semi-mat RAL9010



M115 Black semi-mat RAL9005



17 Chrome *

* OPTION WITH EXTRA CHARGE