

# Ogi Drive - hand crank frame technical specification



.mdd

**MDD has a leading position among manufacturers of office furniture with many awards that prove quality and continuously increase demand for its products.**

The realities of today's market require constant quality improvement at all levels of modern organization. This applies in particular to customer service, marketing, quality of products and also to quality of processes within the company.

Partnership relations among employees and with business partners form a base of economic growth and success of the company.

Constant investments in innovative machinery park, optimization of management systems and an expansion of production halls allow to minimize the lead times for the product of the highest quality.

**More than twenty years of experience in office furniture industry come with reference from a long list of companies and institutions to show their appreciation for an efficient and comprehensive service.**

**MDD is highly aware of the environment.**

Being located in the forest region with lake by its side, MDD takes the nature seriously and invests constantly in a modern and energy-efficient solutions to preserve the local life. Company puts emphasis on waste segregation and recycling. MDD has been awarded for the exceptional care and involvement in waste disposal. All materials used are environmentally friendly and enjoy a high 95 % rate of being recycled.



## General informations:

### Warranty:

MDD products – **5 years.**

Electrical components and fabric – **2 years.**

### Certificate - MFC:



### Compliant with standards:

PN-EN 527-2:2017-02

### Boards density:

12 mm - 690 - 750 kg/m<sup>3</sup>

18 mm - 650 - 690 kg/m<sup>3</sup>

28 mm - 610 - 630 kg/m<sup>3</sup>

36 mm - 610 - 630 kg/m<sup>3</sup>

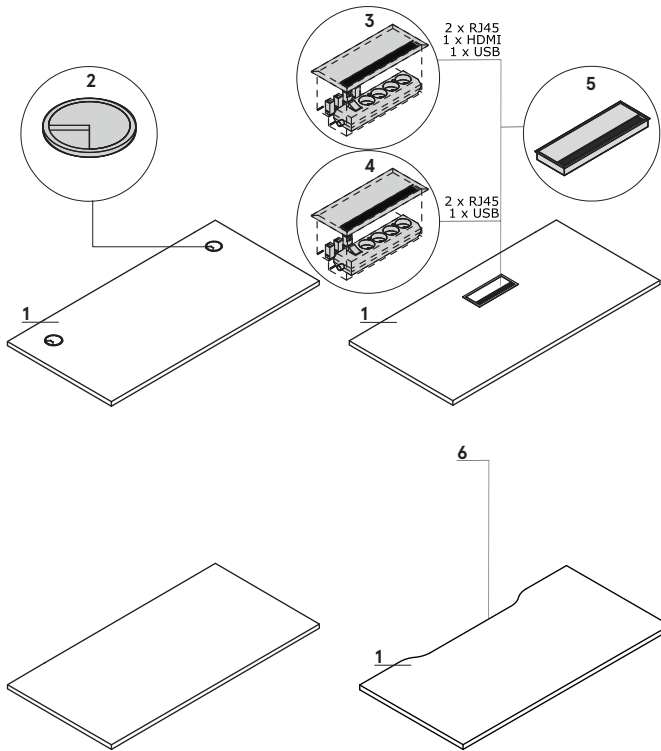
### Assembly:

product delivered in separate elements

### Packing:

cardboard

Ogi desk worktops



1. **Worktop** - MFC 28 mm, ABS edge

**OPTIONS WITH EXTRA CHARGE:**

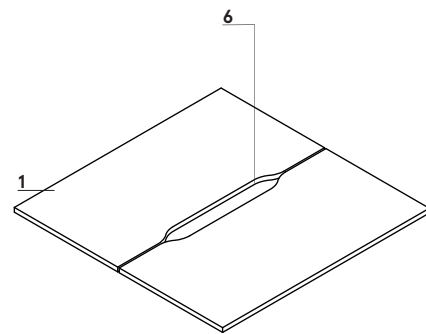
2. **Grommet** - 2 pcs, Ø 80 mm

3. **Mediabox M04H** - 2xRJ45 (class E, cat. 6); +1 x USB + 1 x HDMI + 4x 230V, colour: M009 - aluminium semi-matt

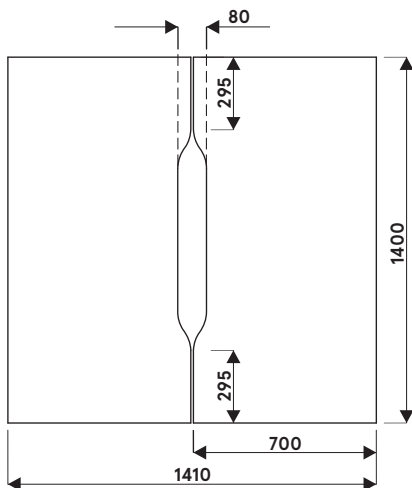
4. **Mediabox M04** - 2xRJ45 (class E, cat. 6); +1 x USB + 4x 230V, colour: M009 - aluminium semi-matt

5. **Top access M05** - colour: M009 - aluminium semi-matt

6. **Cable way** - in bench type desks, the width of the opening is proportional to the width of the worktop

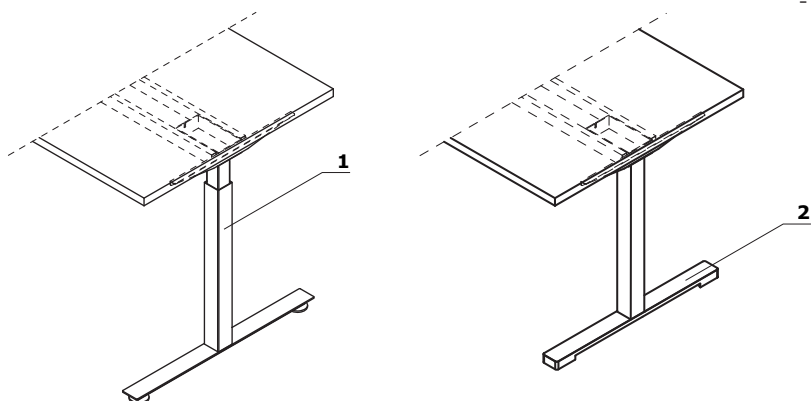


Dimensions of the worktop with scallops (mm)



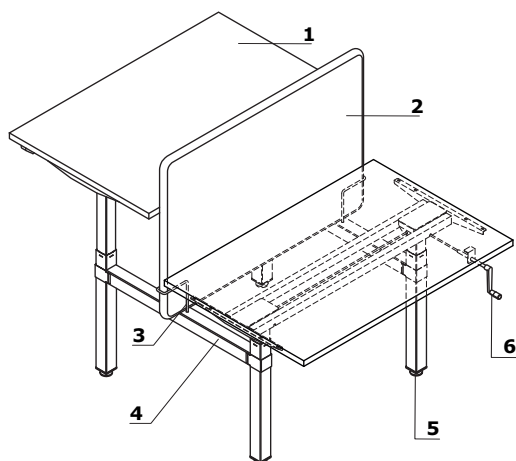
## Frame

1. **Ogi Drive with manual height adjustment** - metal, powder coated, 2 profiles 50x50 mm i 60x60 mm, adjustment in the range of 650-1000 mm
2. **OPTION WITH EXTRA CHARGE** - Yan T foot
  - aluminium powder coated
  - polished aluminium



## Hand crankframe - Ogi Drive

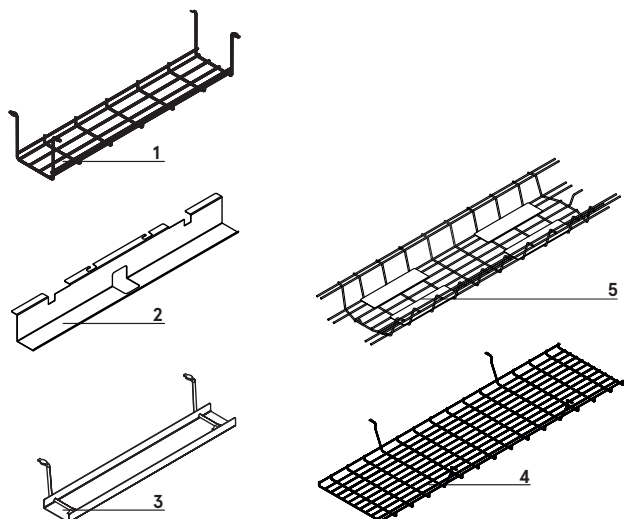
1. **Worktop** - MFC 28 mm, ABS edge
2. **ZD Panel** - acoustic class A, fire resistant, zip fastener, pinable
3. **Fixing element** - powder coated metal
4. **Metal element for legs connecting**
5. **Leveling feet** - range 5 mm
6. **Hand crank** - hidden handle, colour: black, stepless adjustment in the range of 650 - 1000 mm, rotation 2,25 mm, profiles 60 x 60 mm, 50 x 50 mm



ATTENTION - distance between bench worktops 90 mm

## Accessories

1. **Horizontal cable tray S69** - powder coated, colour: 09 - aluminum
2. **Single desk horizontal cable tray (SG12, SG16)** - powder coated metal, colour: M009 - aluminum semi-matt
3. **Horizontal cable tray E64** - powder coated, colour: M009 - aluminium semi-matt
4. **Cable tray for bench desks Ogi Drive (SOD12, SOD14, SOD16, SOD18, SOD20)** - powder coated, colour: M009 - aluminium semi-matt
5. **Cable tray for bench desks (SG220, SG260)** - steel wire Ø4 mm, powder coated, colour: 09 - aluminum



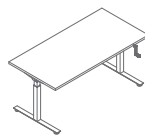
Single desks with hand crank adjustment in the range of 650- 1000 mm - sit-sit



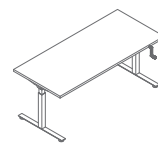
**BOC02**  
1200 / 800 / 650-1000  
43.4 kg



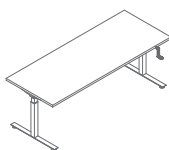
**BOC03**  
1400 / 800 / 650-1000  
46.4 kg



**BOC04**  
1600 / 800 / 650-1000  
49.4 kg

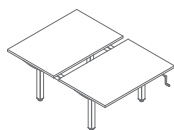


**BOC05**  
1800 / 800 / 650-1000  
52.4 kg

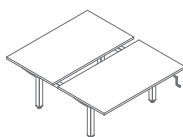


**BOC06**  
2000 / 800 / 650-1000  
66.3 kg

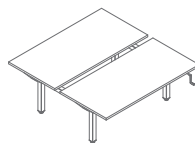
Bench desks with hand crank adjustment in the range of 650- 1000 mm - sit-sit



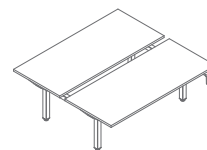
**BOC20**  
1200 / 1690 / 650-1000  
88.7 kg



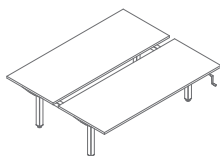
**BOC30**  
1400 / 1690 / 650-1000  
94.7 kg



**BOC40**  
1600 / 1690 / 650-1000  
100.7 kg





**BOC50**  
1800 / 1690 / 650-1000  
106.7 kg



**BOC60**  
2000 / 1690 / 650-1000  
112.7 kg

Top

				→
14 Beech	26 Aluminum satinato	31 Canadian oak	39 Polar birch	
				
67 White pastel				→
				→
34 Chestnut	64 Cocoa	106 Lowland walnut	154 Anthracite	
				
08 Black				






Grommet

	Aluminum
	White
	Black

Frame - metal

			
M009 Aluminum semi-matt RAL9006	M015 White semi-matt RAL9010	M154 Antracite semi-matt RAL7043	M115 Black semi-matt RAL9005

Foot Yan Drive - metal

			
M009 Aluminum semi-matt RAL9006	M015 White semi-matt RAL9010	M154 Antracite semi-matt RAL7043	M115 Black semi-matt RAL9005
			
25 Polished aluminum			