

# COMPLEMENTARY OFFER


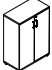
v.3 01.07.2017






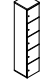
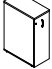




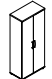

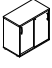

**mdd**





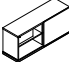
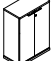
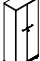



## **BASIC - PEDESTALS AND STORAGE SYSTEMS**

	PEDESTAL.....	004
	STORAGES.....	010

## **STANDARD - PEDESTALS AND STORAGE SYSTEMS**

	MOBILE PEDESTAL WITHOUT HANDLES.....	014
	KDT PEDESTALS.....	018
	KRT PEDESTALS.....	024
	LOCKER.....	030
	CARGO PEDESTALS.....	032
	MOBILE STORAGE - MULTIFUNCTION.....	034
	MANAGERIAL STORAGES.....	036
	ZS MANAGERIAL STORAGES.....	040
	STORAGES.....	044
	WARDROBES.....	054
	STORAGES AND FILING CABINETS WITH METAL SHELVES.....	058
	SLIDING DOOR STORAGES.....	062
	TAMBOUR STORAGES.....	066

## PRO - PEDESTALS AND STORAGE SYSTEMS

	IKDT PEDESTALS.....	070
	IKRT PEDESTALS.....	074
	MANAGERIAL STORAGES.....	078
	STORAGES.....	080
	WARDROBES.....	088
	STORAGES AND FILING CABINETS WITH METAL SHELVES.....	092
	SLIDING DOOR STORAGES.....	096
	TAMBOUR STORAGES.....	100


## GLOSS - PEDESTALS AND STORAGE SYSTEMS

	HPL FRONT PEDESTALS AND STORAGES.....	104
---	---------------------------------------	-----

## LAMPS




	ELLIPSE.....	110
	SUNBEAM.....	112
	CANOE.....	114
	SNAKE.....	116

## HANGERS




	HANGERS.....	118
---	--------------	-----

# SUMMARY OF PEDESTALS AND STORAGES FEATURES IN INDIVIDUAL SYSTEMS.

## PEDESTALS

	BASIC	STANDARD	PRO	GLOSS
<b>drawer</b>	MFC	metal	metal	metal
<b>body</b>	white, aluminum or anthracit	available in all colours (group I & II)	available in all colours (group I & II)	black, white, aluminum or anthracite
<b>top and front</b>	MFC in all colours	MFC in all colours	MFC in all colours	in all gloss HPL colours
<b>pencil tray</b>	plastic pencil tray	plastic pencil tray or separate pencil drawer	plastic pencil tray or separate pencil drawer	pencil tray
<b>ball runners</b>	not available	optional	optional	optional
<b>soft closing</b>	not available	optional	optional	optional
<b>handles</b>				no handles

## CABINETS

	BASIC	STANDARD	PRO	GLOSS
<b>back</b>	3mm HDF	18mm MFC	18mm MFC	18mm MFC
<b>body</b>	white, aluminum or anthracite	available in all colours (group I & II)	available in all colours (group I & II)	black, white, aluminum or anthracite
<b>handles</b>				push-to-open
<b>metal base</b>	not available	not available	optional	not available
<b>wide angle hinges</b>	not available	optional	optional	not available
<b>glass top for storages 801mm wide</b>	ordered as separate element	ordered as separate element	ordered as separate element	ordered as separate element

## TECHNICAL SPECIFICATION

### COLOURS

#### TOP, BOTTOM



14 BEECH

26 ALUMINUM SATINATO

31 CANADIAN OAK

34 CHESTNUT

39 POLAR BIRCH



64 COCOA

67 WHITE PASTEL

106 LOWLAND NUT

154 ANTHRACITE



#### FRONT



14 BEECH

26 ALUMINUM SATINATO

31 CANADIAN OAK

34 CHESTNUT

39 POLAR BIRCH



64 COCOA

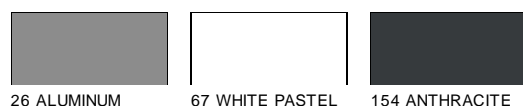
67 WHITE PASTEL

106 LOWLAND NUT

154 ANTHRACITE



#### BODY



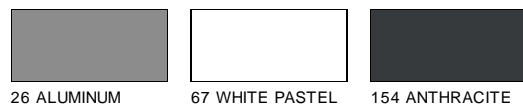
26 ALUMINUM SATINATO

67 WHITE PASTEL

154 ANTHRACITE



#### MOBILE PEDESTAL KKT11, KKT110



26 ALUMINUM SATINATO

67 WHITE PASTEL

154 ANTHRACITE



#### CUSHION SKP13 - FABRIC NEMO



NE-1 BEIGE

NE-2 YELLOW

NE-3 ORANGE

NE-5 RED

NE-9 GREEN



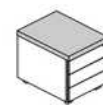
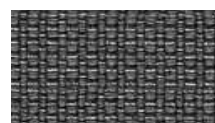
NE-10 GREY

NE-14 DARK GREY

NE-15 NAVY BLUE

NE-16 BLACK

NE-17 BLUE



**TECHNICAL SPECIFICATION**

**COLOURS**

**CUSHION SKP13 - FABRIC RUNNER - SECOND GROUP**

R-63034 ORANGE	R-64089 RED	R-66063 BLUE	R-60011 GREY	R-68056 GREEN		
R-66064 NAVY-BLUE	R-60999 BLACK	R-60025 DARK GREY	R-61128 BEIGE			

**CUSHION SKP13 - FABRIC MEDLEY - SECOND GROUP**

M-68005 DARK OLIVE	M-68002 LIGHT OLIVE	M-68115 GREEN	M-61002 BEIGE	M-67053 NAVY BLUE		
M-67006 LIGHT BLUE	M-66008 GREY	M-64019 RED	M-63064 PINK	M-60999 BLACK		

**CUSHION SKP13 - FABRIC ATLANTIC - SECOND GROUP**

A-67043 DARK TURQUOISE	A-67030 SEA-GREEN	A-60141 LIGHT GREY	A-60011 GREY	A-66064 NAVY BLUE		
A-65037 VIOLET	A-62048 OLIVE	A-64089 RED	A-61078 BEIGE	A-60025 GRAPHITE		

**CUSHION SKP13 - FABRIC BLAZER - THIRD PRICE GROUP**

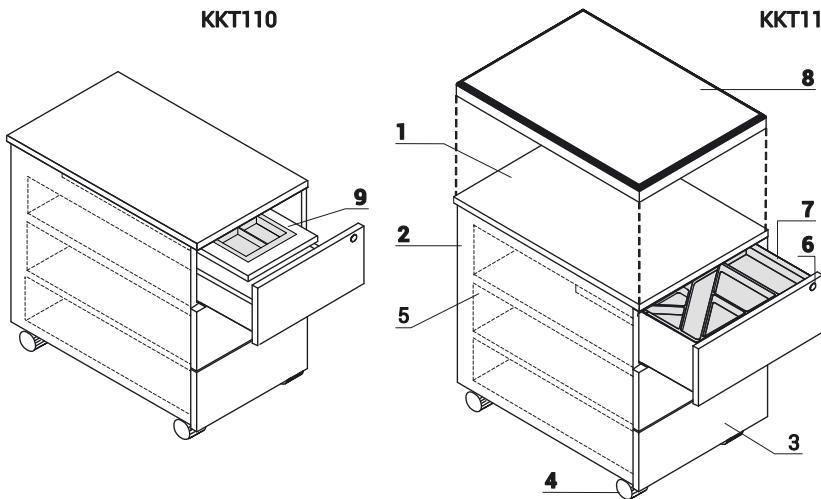
CUZ39 ORANGE	CUZ63 RED	CUZ1L GREEN	CUZ12 GRAPHITE	CUZ02 TURQUOISE		
CUZ1V BLUE	CUZ1X PINK	CUZ1G GREY	CUZ28 LIGHT GREY	CUZ47 BEIGE		
CUZ1R - SEA-GREEN						

**CUSHION SKP13 - FABRIC XTREME - THIRD PRICE GROUP**

XR160 SEA-GREEN	XR430 DARK TURQUOISE	XR026 NAVY BLUE	XR084 VIOLET	XR009 BLACK		
XR420 OLIVE	XR081 DARK GREY	XR094 GREY	XR108 BEIGE	XR079 RED		

TECHNICAL SPECIFICATION

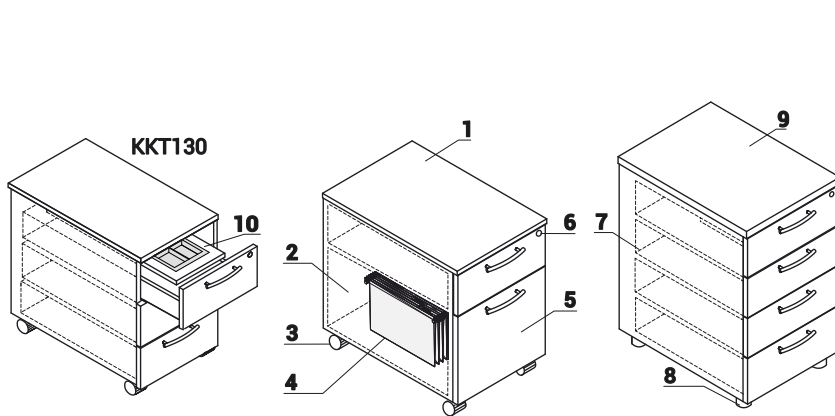
MOBILE PEDESTAL WITHOUT HANDLES



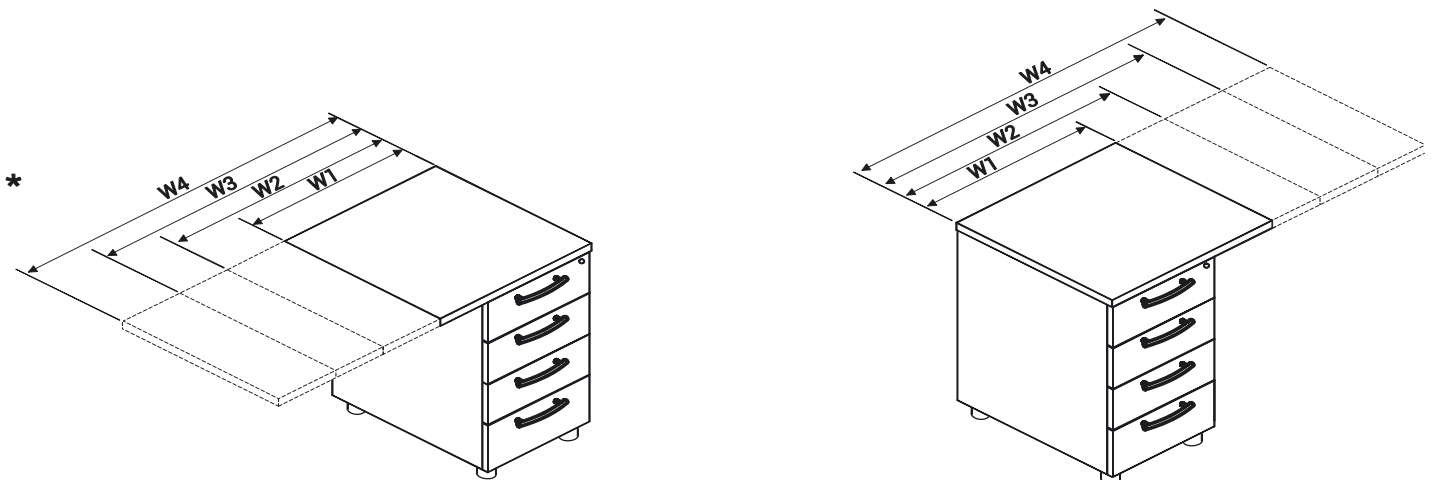
1. **Top** - MFC 18mm, PVC edge
2. **Body** - MFC 18mm, PVC edge
3. **Front** - MFC 18mm, PVC edge
4. **Castors** - Ø50mm, two with brakes
5. **MFC drawer** - roll runners, max load 25kg, 80% extraction; Anti - tilt mechanism
6. **Central lock** - foldable key
7. **Pencil tray** - black plastic
8. **Cushion SKP13** - for pedstal, order separately, max load 120kg
9. **Sliding pencil tray** - MFC 18mm

ATTENTION - no sitting on pedestal KKT11 without castors support; to be ordered with cushion SKP13

PEDESTALS



1. **Top** - MFC 18mm, PVC edge
2. **Body** - MFC 18mm, PVC edge
3. **Castors** - Ø50mm, two with brakes
4. **Suspension files drawer** - max load 30kg, 100% extraction
5. **Front** - MFC 18mm, PVC edge
6. **Central lock** - foldable key
7. **MFC drawer** - roll runners, max load 25kg, 80% extraction; Anti - tilt mechanism
8. **Leveling** - 5mm range
9. **Top** - MFC 28mm, PVC edge
10. **Sliding pencil tray** - MFC 18mm



\* Pedestal with top overhang - W1 - 600mm | W2 - 800mm | W3 - 1000mm | W4 - 1200mm



PRODUCT ILLUSTRATION	DIMENSIONS [mm]			INDEX SYMBOL	PRICE EUR				COMMENTS
	WIDTH	DEPTH	HEIGHT			kg	m3	pcs	

### MOBILE PEDESTAL WITHOUT HANDLES

	348	600	586	<b>KKT110</b>	160,-	22.0	0.122	1	no handles, colours: white, aluminum, anthracite
	416	600	586	<b>KKT11</b>	170,-	26.0	0.153	1	no handles, colours: white, aluminum, anthracite

### PEDESTAL CUSHION

	400	600	52	<b>SKP13</b>	70,-	3.0	0.017	1	
--	-----	-----	----	--------------	------	-----	-------	---	--

### PEDESTALS

	334	600	586	<b>KKT130</b>	160,-	22.0	0.120	1	
	402	600	586	<b>KKT13</b>	170,-	26.0	0.142	1	
	402	600	586	<b>KKT12</b>	190,-	32.0	0.141	1	
	402	600	740	<b>KKT64</b>	200,-	34.0	0.195	1	
	402	800	740	<b>KKT74</b>	210,-	37.0	0.258	1	

### ADDITIONAL CHARGE

FEATURE	PRODUCT												COMMENTS
	SKP13									kg	m3	pcs	
II PRICE GROUP	10,-									0.0	0.0000	0	
III PRICE GROUP	26,-									1.0	0.0010	1	

### DESCRIPTION

- NET WEIGHT

VOLUME

NUMBER OF PACKAGES

PRODUCT ILLUSTRATION	DIMENSIONS [mm]			INDEX SYMBOL	PRICE EUR					COMMENTS
	WIDTH	DEPTH	HEIGHT			kg	m3	pcs		

### PEDESTLS WITH TOP OVERHANG 600 mm WIDE

	600	600	740	<b>KT664</b>	240,-	35.0	0.209	4		Flat bar for fixing to the top included
	600	800	740	<b>KT674</b>	280,-	39.0	0.275	4		Flat bar for fixing to the top included

### PEDESTLS WITH TOP OVERHANG 800 mm WIDE

	800	600	740	<b>KT864</b>	245,-	37.0	0.213	4		Flat bar for fixing to the top included
	800	800	740	<b>KT874</b>	285,-	41.9	0.281	4		Flat bar for fixing to the top included

### PEDESTLS WITH TOP OVERHANG 1000 mm WIDE

	1000	600	740	<b>KT1064</b>	250,-	38.9	0.218	4		Flat bar for fixing to the top included
	1000	800	740	<b>KT1074</b>	290,-	44.9	0.287	4		Flat bar for fixing to the top included

### PEDESTLS WITH TOP OVERHANG 1200 mm WIDE

	1200	600	740	<b>KT1264</b>	255,-	41.4	0.222	4		Flat bar for fixing to the top included
	1200	800	740	<b>KT1274</b>	295,-	47.9	0.293	4		Flat bar for fixing to the top included

DESCRIPTION

- NET WEIGHT

VOLUME

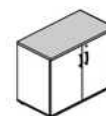
NUMBER OF PACKAGES



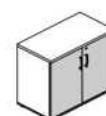
## TECHNICAL SPECIFICATION

### COLOURS

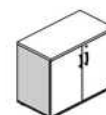
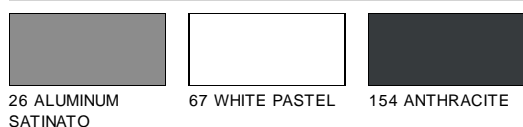
#### TOP, BOTTOM



#### FRONT



#### BODY



#### TOP, BOTTOM, BODY

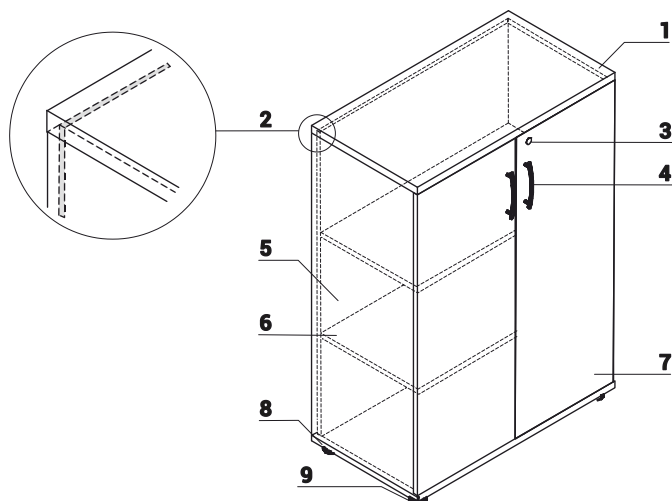


#### FRONT - TAMBOUR



**TECHNICAL SPECIFICATION**

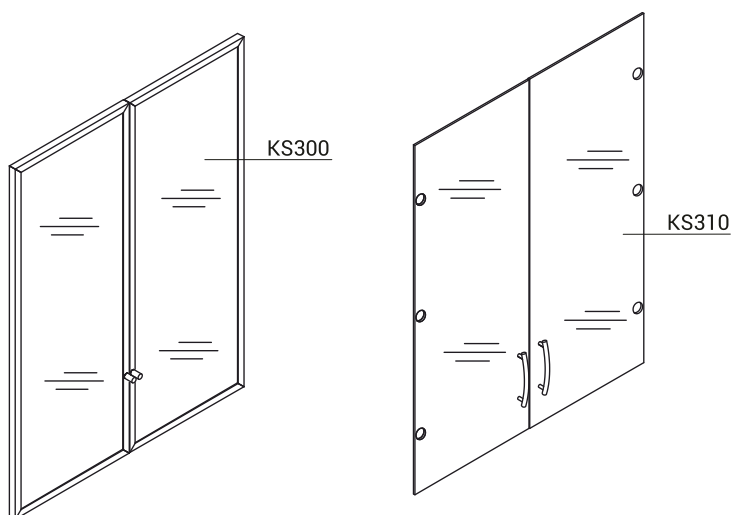
**STORAGES**



- 1. **Top** - MFC 28mm, PVC edge
- 2. **Back MFC** - 3mm
- 3. **Patent lock**
- 4. **Aluminum handle**
- 5. **Side panels** - MFC 18mm, PVC edge
- 6. **Shelf** - MFC 18mm, PVC edge
- 7. **Front** - MFC 18mm,PVC edge, plain hinge 110°
- 8. **Base** - MFC 18mm, PVC edge
- 9. **Leveling feet 27mm** - range 12mm

ATTENTION - Raw 3mm HDF is visible on the back

**ADDITIONAL ELEMENTS FOR STORAGE**



- KS300**
- glass door 30H
- frosted tempered glass 4mm, with aluminum frame

- KS310**
- glass door 30H
- transparent tempered glass 4mm

PRODUCT ILLUSTRATION	DIMENSIONS [mm]			INDEX SYMBOL	PRICE EUR					COMMENTS
	WIDTH	DEPTH	HEIGHT			kg	m3	pcs		

## 50H STORAGEES

	801	385	1833	<b>K5504</b>	170,-	40.0	0.100	2		visible back panel, raw HDF 3mm
	801	385	1833	<b>K5404</b>	200,-	47.0	0.120	3		visible back panel, raw HDF 3mm
	801	385	1833	<b>K5304</b>	210,-	51.3	0.126	3		visible back panel, raw HDF 3mm
	801	385	1833	<b>K5104</b>	230,-	58.7	0.142	3		visible back panel, raw HDF 3mm
	801	385	1833	<b>K5204</b>	225,-	50.0	0.116	3		wardrobe with slide out hanger, raw 3mm HDF is visible on the back, no zip
	801	385	1833	<b>K52P4</b>	290,-	0.0	0.001	0		wardrobe/storage cabinet with slide-out hanger

## 30H STORAGEES

	801	385	1129	<b>K3504</b>	130,-	25.0	0.059	2		visible back panel, raw HDF 3mm
	801	385	1129	<b>K3404</b>	165,-	32.0	0.078	3		visible back panel, raw HDF 3mm
	801	385	1129	<b>K3104</b>	170,-	36.3	0.085	3		visible back panel, raw HDF 3mm

DESCRIPTION

- NET WEIGHT

VOLUME

NUMBER OF PACKAGES

PRODUCT ILLUSTRATION	DIMENSIONS [mm]			INDEX SYMBOL	PRICE EUR					COMMENTS
	WIDTH	DEPTH	HEIGHT			kg	m3	pcs		

## 2OH STORAGEES

	801	385	777	<b>K2504</b>	110,-	19.0	0.049	2		visible back panel, raw HDF 3mm
	801	385	777	<b>K2104</b>	140,-	26.0	0.069	3		visible back panel, raw HDF 3mm
	801	385	740	<b>K25B4</b>	110,-	18.5	0.048	2		visible back panel, raw HDF 3mm
	801	385	740	<b>K21B4</b>	140,-	25.0	0.067	3		visible back panel, raw HDF 3mm

## 2 OH STACK-ON STORAGEES

	801	385	750	<b>K1504</b>	110,-	19.0	0.049	2		back - HDF 3mm
	801	385	750	<b>K1104</b>	140,-	26.0	0.069	3		back - HDF 3mm

## TAMBOUR STORAGE

	1200	385	1129	<b>K3Z06</b>	490,-	64.0	0.600	1		Top and body available in colors: 26 - aluminum satinato; 67 - white pastel, 154 - anthracite Tambour front available in colors: 09 - aluminum; 08 - black or 30 - white
--	------	-----	------	--------------	-------	------	-------	---	--	--

## PRINTER STORAGE

	710	600	600	<b>S85</b>	160,-	32.0	0.066	1		under printer storage, all in 26 - aluminum satinato or 67 - white pastel or 154 - anthracite
--	-----	-----	-----	------------	-------	------	-------	---	--	--

## ADDITIONAL ELEMENTS FOR STORAGE

	800	5	1050	<b>KS310</b>	110,-	12.0	0.034	1		glass doors (2pcs) 3OH, transparent tempered glass
	800	20	1050	<b>KS300</b>	230,-	10.3	0.037	1		glass doors (2pcs) 3OH with aluminum frame, frosted tempered glass

DESCRIPTION

- NET WEIGHT

VOLUME

NUMBER OF PACKAGES

TECHNICAL SPECIFICATION

COLOURS

MOBILE PEDESTAL SLD

08 BLACK	26 ALUMINUM SATINATO	67 WHITE PASTEL	154 ANTHRACITE	

CUSHION SKP13 - FABRIC NEMO

NE-1 BEIGE	NE-2 YELLOW	NE-3 ORANGE	NE-5 RED	NE-9 GREEN		
NE-10 GREY	NE-14 DARK GREY	NE-15 NAVY BLUE	NE-16 BLACK	NE-17 BLUE		

CUSHION SKP13 - FABRIC RUNNER - SECOND GROUP

R-63034 ORANGE	R-64089 RED	R-66063 BLUE	R-60011 GREY	R-68056 GREEN		
R-66064 NAVY-BLUE	R-60999 BLACK	R-60025 DARK GREY	R-61128 BEIGE			

CUSHION SKP13 - FABRIC MEDLEY - SECOND GROUP

M-68005 DARK OLIVE	M-68002 LIGHT OLIVE	M-68115 GREEN	M-61002 BEIGE	M-67053 NAVY BLUE		
M-67006 LIGHT BLUE	M-66008 GREY	M-64019 RED	M-63064 PINK	M-60999 BLACK		

CUSHION SKP13 - FABRIC ATLANTIC - SECOND GROUP

A-67043 DARK TURQUOISE	A-67030 SEA-GREEN	A-60141 LIGHT GREY	A-60011 GREY	A-66064 NAVY BLUE		
A-65037 VIOLET	A-62048 OLIVE	A-64089 RED	A-61078 BEIGE	A-60025 GRAPHITE		



## TECHNICAL SPECIFICATION

### COLOURS

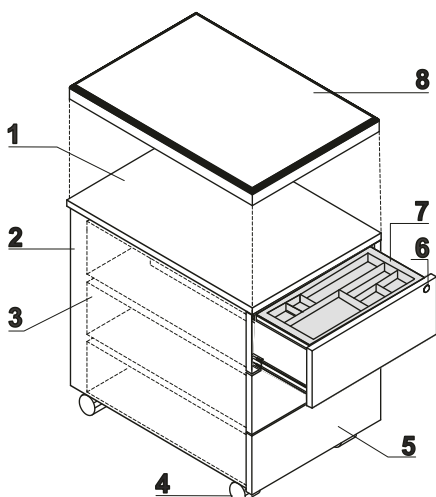
#### CUSHION SKP13 - FABRIC BLAZER - THIRD PRICE GROUP



#### CUSHION SKP13 - FABRIC XTREME - THIRD PRICE GROUP



## MOBILE PEDESTAL WITHOUT HANDLES



1. **Top** - MFC 18mm, PVC edge
2. **Body** - MFC 18mm, PVC edge
3. **Metal drawer** - roll runners, max load 25kg, 80% extraction; Anti - tilt mechanism; OPTIONAL: ball runners, soft closing
4. **Castors** - Ø50mm, two with brakes
5. **Front** - MFC 18mm, PVC edge
6. **Central lock** - foldable key
7. **Pencil tray** - black plastic
8. **Cushion SKP13** - for pedstal, order separately, max load 120kg
9. **Suspension files drawer** - ball runners, max load 30kg, 100% extraction, A4 folders must be inserted parallelly to the front

ATTENTION - no sitting on pedestals without castors support; to be ordered with cushion SKP13

PRODUCT ILLUSTRATION	DIMENSIONS [mm]			INDEX SYMBOL	PRICE EUR				COMMENTS
	WIDTH	DEPTH	HEIGHT			kg	m3	pcs	

**MOBILE PEDESTAL WITHOUT HANDLES**

	416	600	586	<b>SLD12</b>	220,-	30.0	0.158	1	mobile with suspension files drawer, drawers depth - 500mm
	416	600	586	<b>SLD13</b>	200,-	23.0	0.158	1	drawers depth - 500mm
	416	800	586	<b>SLD120</b>	310,-	26.0	0.207	1	
	416	800	586	<b>SLD130</b>	240,-	27.0	0.207	1	

**PEDESTAL CUSHION**

	400	600	52	<b>SKP13</b>	70,-	3.0	0.017	1	
--	-----	-----	----	--------------	------	-----	-------	---	--

**ADDITIONAL CHARGE**

FEATURE	PRODUCT													COMMENTS
	SLD12	SLD13	SLD120	SLD130	SKP13						kg	m3	pcs	
II PRICE GROUP					10,-						0.9	0.0070	1	
III PRICE GROUP					26,-						0.0	0.0000	0	
SELF CLOSING SYSTEM	28,-	28,-	28,-	28,-							1.0	0.0010	1	
BALL RUNNERS	10,-	30,-	10,-	30,-							1.0	0.0010	1	

DESCRIPTION

- NET WEIGHT

VOLUME

NUMBER OF PACKAGES



TECHNICAL SPECIFICATION

COLOURS

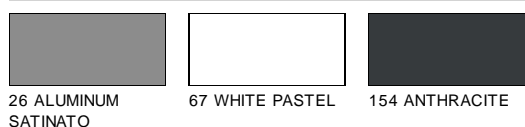
TOP, BOTTOM



FRONT



BODY - FIRST GROUP

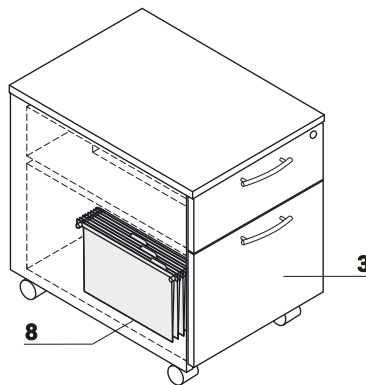
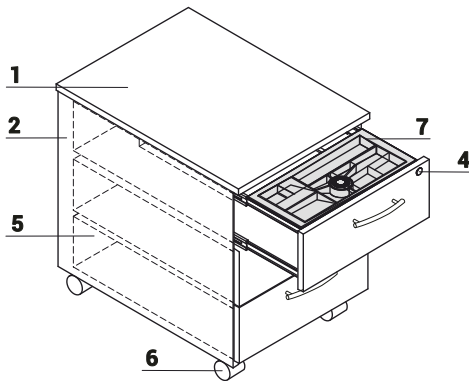


BODY - SECOND GROUP

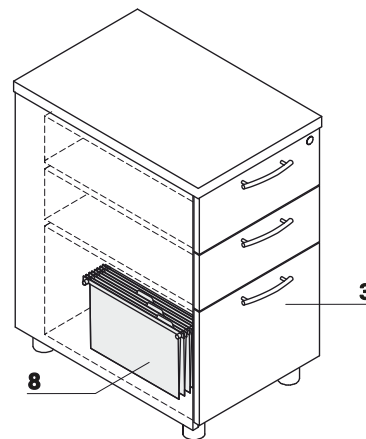
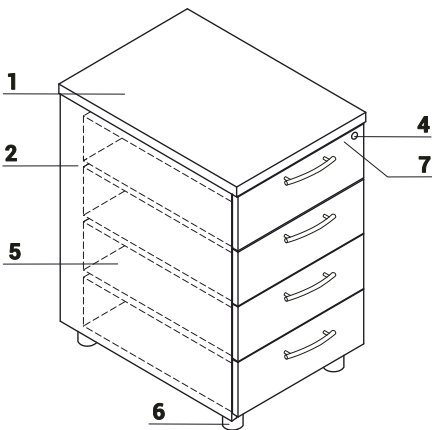


TECHNICAL SPECIFICATION

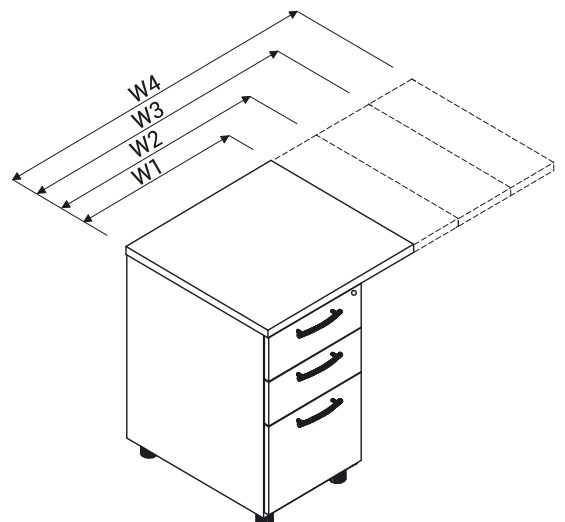
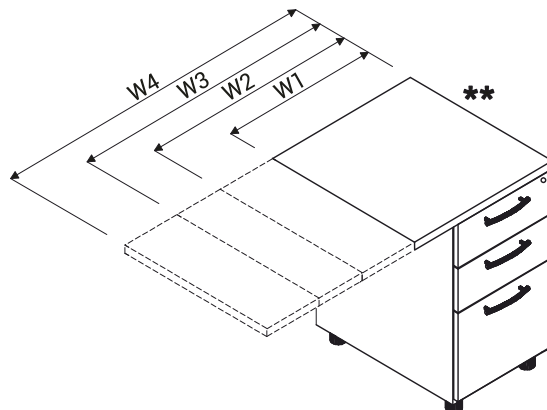
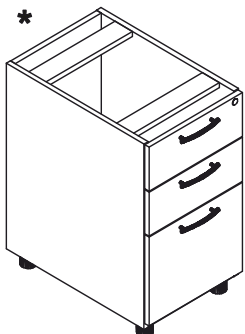
KDT PEDESTALS



1. **Top** - MFC 18mm, PVC edge
2. **Body** - MFC 18mm, PVC edge
3. **Front** - MFC 18mm,PVC edge
4. **Central lock** - foldable key
5. **Metal drawer** - roll runners, max load 25kg, 80% extraction; Anti - tilt mechanism; OPTIONAL: ball runners, soft closing
6. **Castors** - Ø50mm, two with brakes
7. **Pencil tray** - black plastic
8. **Suspension files drawer** - ball runners, max load 30kg, 100% extraction, A4 folders must be inserted parallelly to the front



1. **Top** - MFC 28mm, PVC edge
2. **Body** - MFC 18mm, PVC edge
3. **Front** - MFC 18mm,PVC edge
4. **Central lock** - foldable key
5. **Metal drawer** - roll runners, max load 25kg, 80% extraction; Anti - tilt mechanism; OPTIONAL: ball runners, soft closing
6. **Leveling** - 5mm range
7. **Pencil tray** - black plastic
8. **Suspension files drawer** - ball runners, max load 30kg, 100% extraction A4 folders must be inserted parallelly to the front



\* Pedestals without tops - W1 - 600mm | W2 - 800mm | W3 - 1000mm | W4 - 1200mm

PRODUCT ILLUSTRATION	DIMENSIONS [mm]			INDEX SYMBOL	PRICE EUR				COMMENTS
	WIDTH	DEPTH	HEIGHT			kg	m3	pcs	

### PEDESTLS WITH TOP OVERHANG 600 mm WIDE

	600	600	740	<b>KD663</b>	290,-	29.0	0.219	4	file drawer, universal overhang left/right; drawers depth - 500mm
	600	600	740	<b>KD664</b>	280,-	30.0	0.206	4	file drawer, universal overhang left/right; drawers depth - 500mm
	600	800	740	<b>KD673</b>	330,-	36.0	0.273	4	file drawer, universal overhang left/right; drawers depth - 500mm
	600	800	740	<b>KD674</b>	320,-	37.0	0.273	4	universal overhang left/right; drawers depth - 500mm

### PEDESTLS WITH TOP OVERHANG 800 mm WIDE

	800	600	740	<b>KD863</b>	290,-	31.0	0.223	4	file drawer, universal overhang left/right; drawers depth - 500mm
	800	600	740	<b>KD864</b>	280,-	32.0	0.211	4	universal overhang left/right; drawers depth - 500mm
	800	800	740	<b>KD873</b>	330,-	38.9	0.278	4	file drawer, universal overhang left/right; drawers depth: standard - 500mm, file - 700mm
	800	800	740	<b>KD874</b>	320,-	39.9	0.278	4	universal overhang left/right; drawers depth - 500mm

### ADDITIONAL CHARGE

FEATURE	PRODUCT											COMMENTS
	KD663	KD664	KD673	KD674	KD863	KD864	KD873	KD874	kg	m3	pcs	
II PRICE GROUP	40,-	40,-	40,-	40,-	40,-	40,-	40,-	40,-	0.0	0.0000	0	
SELF CLOSING SYSTEM	28,-	35,-	28,-	35,-	28,-	35,-	28,-	35,-	1.0	0.0010	1	
BALL RUNNERS	20,-	40,-	20,-	40,-	20,-	40,-	20,-	40,-	1.0	0.0010	1	

### DESCRIPTION

- NET WEIGHT

VOLUME

NUMBER OF PACKAGES

PRODUCT ILLUSTRATION	DIMENSIONS [mm]			INDEX SYMBOL	PRICE EUR				COMMENTS
	WIDTH	DEPTH	HEIGHT			kg	m3	pcs	

## KDT PEDESTALS

	402	600	586	<b>KDT12</b>	230,-	30.0	0.151	1	mobile with suspension files drawer, drawers depth - 500mm
	402	600	586	<b>KDT13</b>	210,-	23.0	0.151	1	mobile; drawers depth - 500mm
	402	800	586	<b>KDT120</b>	300,-	33.0	0.198	1	mobile with suspension files drawer; drawers depth: standard - 500mm, file - 700mm
	402	800	586	<b>KDT130</b>	220,-	26.0	0.198	1	mobile; drawers depth: standard - 500mm, file - 700mm
	402	600	740	<b>KDT63</b>	260,-	27.0	0.211	1	file drawer; drawers depth - 500mm
	402	600	740	<b>KDT64</b>	250,-	28.0	0.193	1	drawers depth - 500mm
	402	800	740	<b>KDT73</b>	310,-	32.0	0.255	1	file drawer; drawers depth: standard - 500mm, file - 700mm
	402	800	740	<b>KDT74</b>	300,-	33.0	0.255	1	drawers depth: standard - 500mm, file - 700mm

## ADDITIONAL CHARGE

FEATURE	PRODUCT												COMMENTS
	KDT12	KDT13	KDT120	KDT130	KDT63	KDT64	KDT73	KDT74		kg	m3	pcs	
II PRICE GROUP	40,-	40,-	40,-	40,-	40,-	40,-	40,-	40,-		0.0	0.0000	0	
SELF CLOSING SYSTEM	28,-	28,-	28,-	28,-	28,-	35,-	28,-	35,-		1.0	0.0010	1	
BALL RUNNERS	10,-	30,-	10,-	30,-	20,-	40,-	20,-	40,-		1.0	0.0010	1	

## DESCRIPTION

- NET WEIGHT

VOLUME

NUMBER OF PACKAGES

PRODUCT ILLUSTRATION	DIMENSIONS [mm]			INDEX SYMBOL	PRICE EUR				COMMENTS
	WIDTH	DEPTH	HEIGHT			kg	m3	pcs	

### PEDESTLS WITH TOP OVERHANG 1000 mm WIDE

	1000	600	740	<b>KD1063</b>	300,-	32.9	0.228	4	file drawer, universal overhang left/right; drawers depth - 500mm
	1000	600	740	<b>KD1064</b>	290,-	33.9	0.215	4	universal overhang left/tight; drawers depth - 500mm
	1000	800	740	<b>KD1073</b>	340,-	41.9	0.284	4	file drawer, universal overhang left/right; drawers depth: standard - 500mm, file - 700mm
	1000	800	740	<b>KD1074</b>	330,-	42.9	0.284	4	universal overhang left/tight; drawers depth - 500mm

### PEDESTLS WITH TOP OVERHANG 1200 mm WIDE

	1200	600	740	<b>KD1263</b>	300,-	35.4	0.232	4	file drawer, universal overhang left/right; drawers depth - 500mm
	1200	600	740	<b>KD1264</b>	300,-	36.4	0.219	4	universal overhang left/tight; drawers depth - 500mm
	1200	800	740	<b>KD1273</b>	350,-	44.9	0.290	4	file drawer, universal overhang left/right; drawers depth: standard - 500mm, file - 700mm
	1200	800	740	<b>KD1274</b>	340,-	45.9	0.290	4	universal overhang left/tight; drawers depth - 500mm

### ADDITIONAL CHARGE

FEATURE	PRODUCT											COMMENTS
	KD1063	KD1064	KD1073	KD1074	KD1263	KD1264	KD1273	KD1274	kg	m3	pcs	
II PRICE GROUP	40,-	40,-	40,-	40,-	40,-	40,-	40,-	40,-	0.0	0.0000	0	
SELF CLOSING SYSTEM	28,-	35,-	28,-	35,-	28,-	35,-	28,-	35,-	1.0	0.0010	1	
BALL RUNNERS	20,-	40,-	20,-	40,-	20,-	40,-	20,-	40,-	1.0	0.0010	1	

### DESCRIPTION

- NET WEIGHT

VOLUME

NUMBER OF PACKAGES



PRODUCT ILLUSTRATION	DIMENSIONS [mm]			INDEX SYMBOL	PRICE EUR				COMMENTS
	WIDTH	DEPTH	HEIGHT			kg	m3	pcs	

PEDESTALS WITHOUT TOPS

	400	600	712	<b>KDT063</b>	250,-	22.0	0.205	1	drawers depth - 500mm
	400	600	712	<b>KDT064</b>	240,-	23.0	0.193	1	drawers depth - 500mm
	400	800	712	<b>KDT073</b>	290,-	27.0	0.255	1	drawers depth: standard - 500mm, file - 700mm
	400	800	712	<b>KDT074</b>	280,-	28.0	0.255	1	drawers depth - 500mm

ADDITIONAL CHARGE

FEATURE	PRODUCT											COMMENTS
	KDT063	KDT064	KDT073	KDT074					kg	m3	pcs	
II PRICE GROUP	40,-	40,-	40,-	40,-					0.0	0.0000	0	
SELF CLOSING SYSTEM	28,-	35,-	28,-	35,-					1.0	0.0010	1	
BALL RUNNERS	20,-	40,-	20,-	40,-					1.0	0.0010	1	

DESCRIPTION

- NET WEIGHT

VOLUME

NUMBER OF PACKAGES

## TECHNICAL SPECIFICATION

### COLOURS

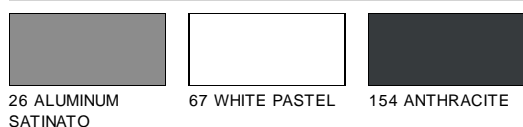
#### TOP, BOTTOM



#### FRONT



#### BODY - FIRST GROUP



#### BODY - SECOND GROUP



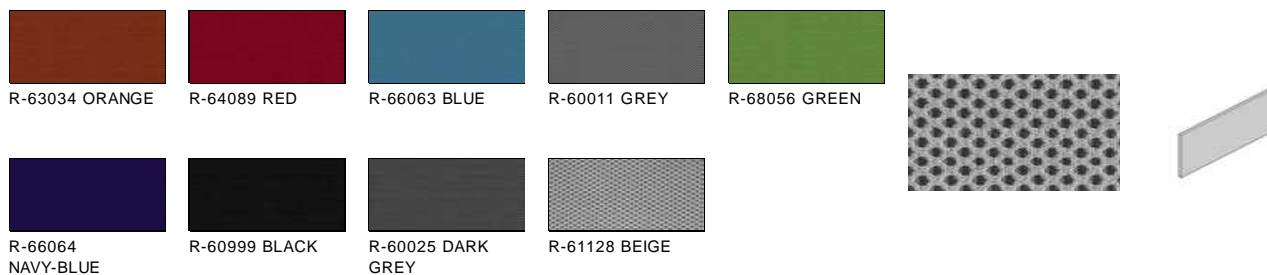
#### PA1L - FABRIC NEMO



TECHNICAL SPECIFICATION

COLOURS

PA1L - FABRIC RUNNER - SECOND GROUP



PA1L - FABRIC MEDLEY - SECOND GROUP



PA1L - FABRIC ATLANTIC - SECOND GROUP



PA1L - FABRIC BLAZER - THIRD PRICE GROUP

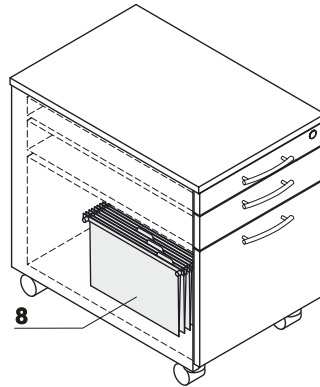
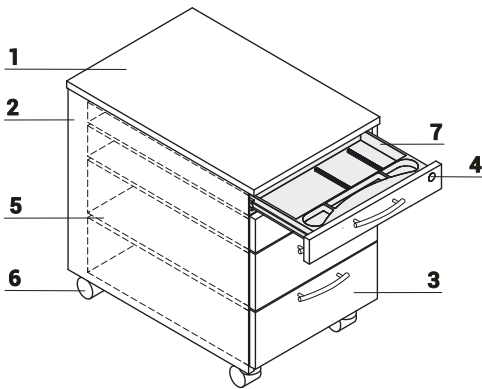


PA1L - FABRIC XTREME - THIRD PRICE GROUP

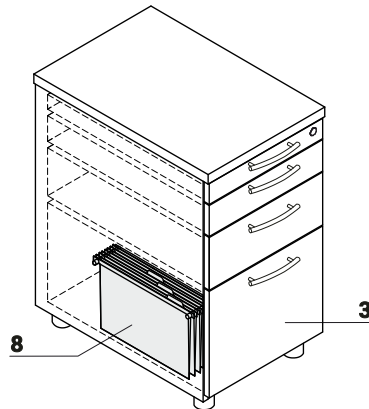
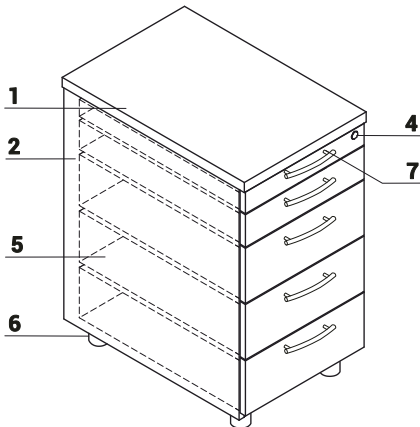


TECHNICAL SPECIFICATION

KRT PEDESTALS



1. **Top** - MFC 18mm, PVC edge
2. **Body** - MFC 18mm, PVC edge
3. **Front** - MFC 18mm,PVC edge
4. **Central lock** - foldable key
5. **Metal drawer** - roll runners, max load 25kg, 80% extraction; Anti - tilt mechanism; OPTIONAL: ball runners, soft closing
6. **Castors** - Ø50mm, two with brakes
7. **Separate pencil drawer**
8. **Suspension files drawer** - ball runners, max load 30kg, 100% extraction  
A4 folders must be inserted parallelly to the front



1. **Top** - MFC 28mm, PVC edge
2. **Body** - MFC 18mm, PVC edge
3. **Front** - MFC 18mm,PVC edge
4. **Central lock** - foldable key
5. **Metal drawer** - roll runners, max load 25kg, 80% extraction; Anti - tilt mechanism; OPTIONAL: ball runners, soft closing
6. **Leveling** - 5mm range
7. **Separate pencil drawer**
8. **Suspension files drawer** - ball runners, max load 30kg, 100% extraction  
A4 folders must be inserted parallelly to the front

PRODUCT ILLUSTRATION	DIMENSIONS [mm]			INDEX SYMBOL	PRICE EUR				COMMENTS
	WIDTH	DEPTH	HEIGHT			kg	m3	pcs	

## KRT PEDESTALS

	402	600	586	<b>KRT12</b>	270,-	31.0	0.151	1	mobile with suspension files drawer, drawers depth - 500mm
	402	600	586	<b>KRT13</b>	240,-	24.0	0.151	1	mobile; drawers depth - 500mm
	402	800	586	<b>KRT120</b>	320,-	27.0	0.198	1	mobile with suspension files drawer; drawers depth: standard - 500mm, file - 700mm
	402	800	586	<b>KRT130</b>	250,-	28.0	0.198	1	mobile; drawers depth - 500mm
	402	600	740	<b>KRT63</b>	290,-	28.0	0.211	1	file drawer; drawers depth - 500mm
	402	600	740	<b>KRT64</b>	280,-	29.0	0.211	1	drawers depth - 500mm
	402	800	740	<b>KRT73</b>	340,-	33.0	0.255	1	file drawer, universal overhang left/right; drawers depth: standard - 500mm, file - 700mm
	402	800	740	<b>KRT74</b>	320,-	33.0	0.255	1	drawers depth - 500mm

## ADDITIONAL CHARGE

FEATURE	PRODUCT											COMMENTS
	KRT12	KRT13	KRT120	KRT130	KRT63	KRT64	KRT73	KRT74	kg	m3	pcs	
II PRICE GROUP	40,-	40,-	40,-	40,-	40,-	40,-	40,-	40,-	0.0	0.0000	0	
SELF CLOSING SYSTEM	28,-	28,-	28,-	28,-	28,-	35,-	28,-	35,-	1.0	0.0010	1	
BALL RUNNERS	10,-	30,-	10,-	30,-	20,-	40,-	20,-	40,-	1.0	0.0010	1	

## DESCRIPTION

- NET WEIGHT

VOLUME

NUMBER OF PACKAGES

PRODUCT ILLUSTRATION	DIMENSIONS [mm]			INDEX SYMBOL	PRICE EUR				COMMENTS
	WIDTH	DEPTH	HEIGHT			kg	m3	pcs	

### COPPLEMENTARY ELEMENTS

	800	402	389	<b>A1L02</b>	90,-	18.0	0.031	1	stack-on storage for pedestal
	800	402	389	<b>A1L04</b>	250,-	19.0	0.152	1	stack-on tambour storage for pedestal
	761	341	22	<b>PA1L</b>	70,-	5.0	0.010	1	fabric screen for storage A1L02 or A1L04

### FIXING ELEMENTS

	620	30	30	<b>E31</b>	12,-	0.6	0.001	1	angle bracket for 800mm edges
	450	30	30	<b>E32</b>	9,-	0.5	0.000	1	angle bracket for 600mm edges
	330	30	30	<b>E37</b>	8,-	1.5	0.000	1	angle bracket

### ADDITIONAL CHARGE

FEATURE	PRODUCT													COMMENTS
	A1L02	A1L04	PA1L								kg	m3	pcs	
II PRICE GROUP	35,-	35,-	10,-								0.0	0.0000	0	
III PRICE GROUP			38,-								1.0	0.0010	1	

DESCRIPTION

- NET WEIGHT

VOLUME

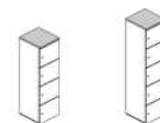
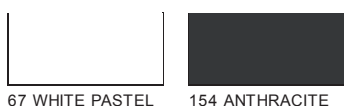
NUMBER OF PACKAGES



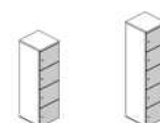
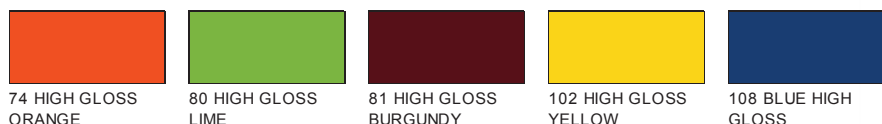
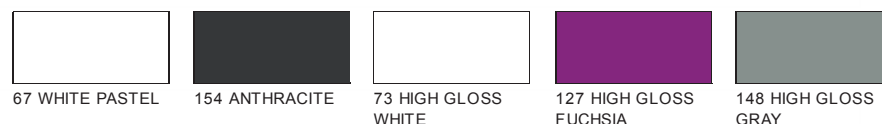
## TECHNICAL SPECIFICATION

### COLOURS

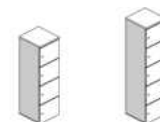
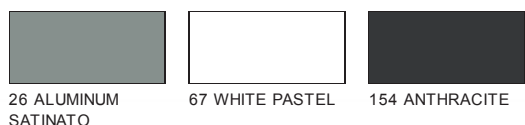
#### TOP, BOTTOM



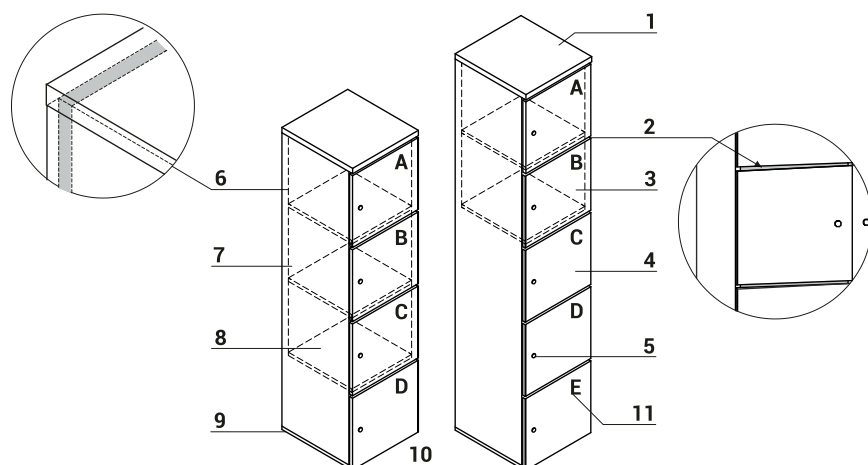
#### FRONT



#### BODY



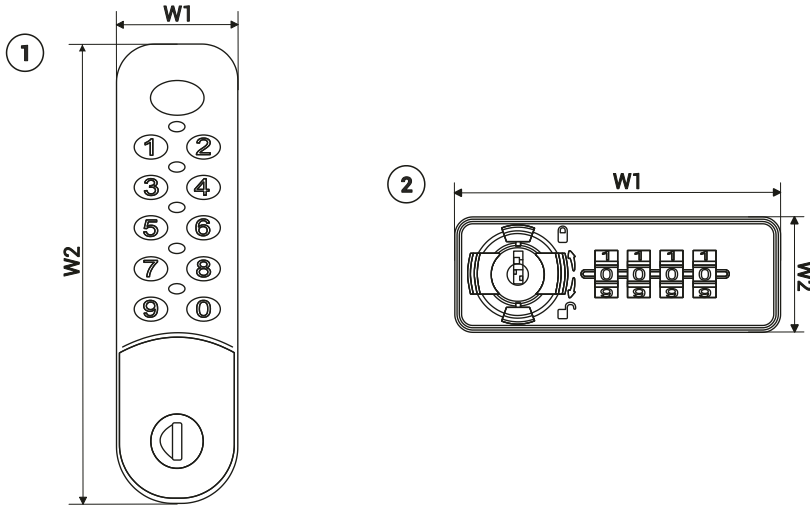
## LOCKER TYPE STORAGE



1. **Top** - MFC 28mm, PVC edge
2. **Opening gap for inserting sheets of paper** - gap of 17mm
3. **Internal dimensions of one segment** - 364x388x373mm
4. **Front** - MFC 18mm + HPL
5. **Patent lock** - OPTION WITH ADDITIONAL CHARGE: a code or digital lock
6. **Back MFC** - 18mm, PVC edges
7. **Side panels** - MFC 18mm, PVC edge
8. **Horizontal partition wall** - 18mm laminated board, edging of PVC
9. **Base** - MFC 18mm, PVC edge
10. **Leveling feet 27mm** - range 12mm
11. **Symbols** - important when choosing a color, possible to choose front in various colors



TECHNICAL SPECIFICATION



**1. Standard Digital Combination Lock**

- dimensions: W1 - 38mm | W2 - 136mm
  - \*High level of safety:
    - 4 digit user codes
    - 6 digit technical code meant for opening the cabinet without changing the code
    - 6 digit Sub-Master code meant for opening and deleting user code
    - 8 digit master code is used for setting the operating mode of the lock, resetting and deleting user code, setting Sub-Master code
  - \*Lock works in two modes (the possibility of ordering the lock of the selected mode)
    - public mode (office, school)
    - private mode (deposit, swimming pool, fitness clubs)
  - \* Ability to set an auto unlock after a specified period of time (only in private user mode)
  - \* Available versions designed especially for wet rooms (with additional seals) and a version for people with disabilities (adapted handle)
  - \* Lock comes complete with batteries and manual
- 2. Code lock**
- dimensions: W1 - 73mm | W2 - 25mm
  - code search function
  - a straight bolt 32mm

PRODUCT ILLUSTRATION	DIMENSIONS [mm]			INDEX SYMBOL	PRICE EUR				COMMENTS
	WIDTH	DEPTH	HEIGHT			kg	m3	pcs	

**LOCKER TYPE STORAGE**

	400	432	1610	<b>LOK04</b>	335,-	41.5	0.088	3	
	400	432	2010	<b>LOK05</b>	400,-	49.5	0.105	3	

**ADDITIONAL CHARGE**

FEATURE	PRODUCT											COMMENTS
	LOK04	LOK05							kg	m3	pcs	
CODE LOCKS	110,-	150,-							0.9	0.0070	1	
ELECTRONIC LOCKS	565,-	700,-							0.9	0.0070	1	
MASTER KEY	18,-	18,-							1.0	0.0010	1	

DESCRIPTION

- NET WEIGHT

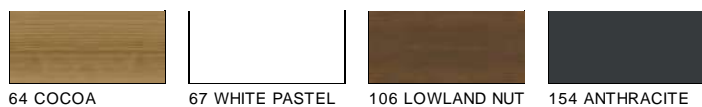
VOLUME

NUMBER OF PACKAGES

## TECHNICAL SPECIFICATION

### COLOURS

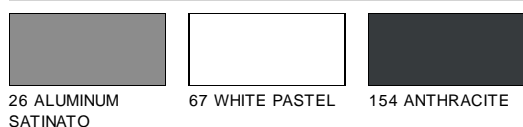
#### TOP, BOTTOM



#### FRONT



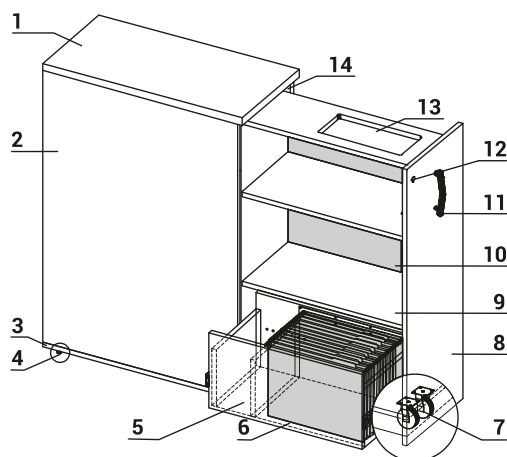
#### BODY - FIRST GROUP



#### BODY - SECOND GROUP



## CARGO PEDESTALS



1. **Top** - MFC 28mm, PVC edge
2. **Body** - MFC 18mm, PVC edge
3. **Base** - MFC 18mm, PVC edge
4. **Leveling** - 10mm range
5. Movable vertical partition which allows organize the space
6. **Drawer** - MFC 18 mm, max. 35kg load, possible extraction 100%, possibility of hanging files, ball runners
7. **Castors** - Ø75mm
8. **Front** - MFC 18mm, PVC edge
9. **Shelf** - MFC 18mm, PVC edge
10. **Full back rear** - MFC 18 mm
11. **Aluminum handle**
12. **Patent lock**
13. **Pencil tray** - black plastic
14. **Back MFC** - 18mm, PVC edges

PRODUCT ILLUSTRATION	DIMENSIONS [mm]			INDEX SYMBOL	PRICE EUR				COMMENTS
	WIDTH	DEPTH	HEIGHT			kg	m3	pcs	

## CARGO PEDESTALS

	402	800	1129	<b>KCD81P</b>	450,-	71.0	0.414	1	shelves accesable from right side
	402	800	1129	<b>KCD81L</b>	450,-	71.0	0.414	1	shelves accesable from left side

## ADDITIONAL CHARGE

FEATURE	PRODUCT												COMMENTS
	KCD81P	KCD81L								kg	m3	pcs	
DRAWER	160,-	160,-								0.9	0.0070	1	
II PRICE GROUP	40,-	40,-								0.0	0.0000	0	

DESCRIPTION

- NET WEIGHT

VOLUME

NUMBER OF PACKAGES

TECHNICAL SPECIFICATION

COLOURS

A3R02



26 ALUMINUM SATINATO



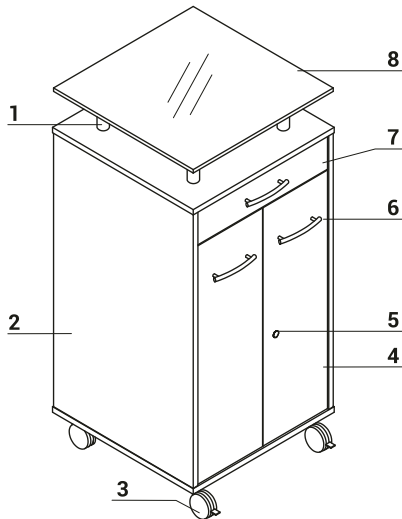
67 WHITE PASTEL



154 ANTHRACITE



MOBILE STORAGE - MULTIFUNCTION



- 1. Spacers - 120mm
- 2. Body - MFC 18mm, PVC edge
- 3. Castors - Ø75mm, two with brakes
- 4. Front - MFC 18mm,PVC edge, plain hinge 110°
- 5. Patent lock
- 6. Aluminum handle
- 7. Drawer- 100% extraction, metal, max load 30kg, cutlery tray
- 8. Top - tempered frosted glass - 12mm; painted on bottom

PRODUCT ILLUSTRATION	DIMENSIONS [mm]			INDEX SYMBOL	PRICE EUR				COMMENTS
	WIDTH	DEPTH	HEIGHT			kg	m3	pcs	

MOBILE STORAGE - MULTIFUNCTION

	550	550	1188	A3R02	690,-	66.7	0.176	3	
--	-----	-----	------	-------	-------	------	-------	---	--

DESCRIPTION

- NET WEIGHT

VOLUME

NUMBER OF PACKAGES



## TECHNICAL SPECIFICATION

### COLOURS

#### TOP, BOTTOM



14 BEECH

 26 ALUMINUM  
SATINATO

31 CANADIAN OAK

34 CHESTNUT

39 POLAR BIRCH



64 COCOA



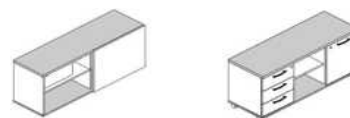
67 WHITE PASTEL



106 LOWLAND NUT



154 ANTHRACITE



#### FRONT



14 BEECH

 26 ALUMINUM  
SATINATO

31 CANADIAN OAK

34 CHESTNUT

39 POLAR BIRCH



64 COCOA



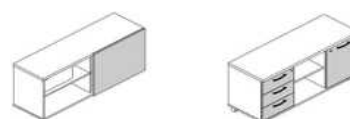
67 WHITE PASTEL



106 LOWLAND NUT



154 ANTHRACITE

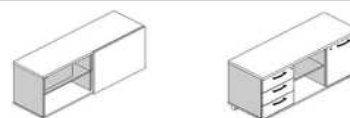


#### BODY - FIRST GROUP


 26 ALUMINUM  
SATINATO

67 WHITE PASTEL

154 ANTHRACITE



#### BODY - SECOND GROUP



14 BEECH

31 CANADIAN OAK

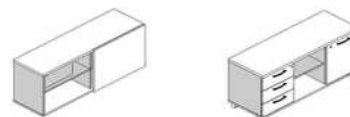
34 CHESTNUT

39 POLAR BIRCH

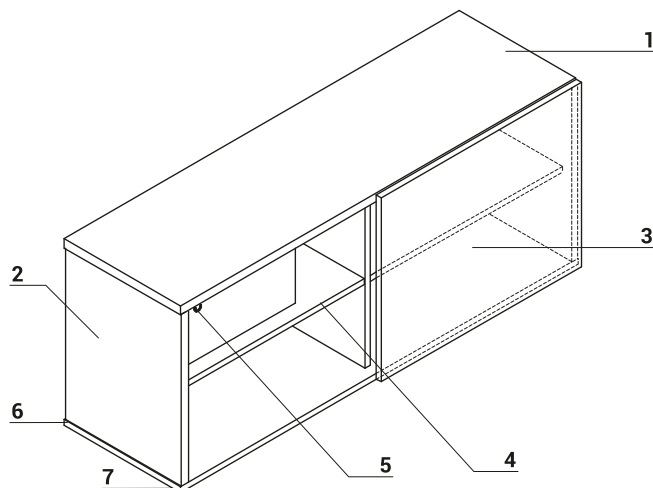
64 COCOA



106 LOWLAND NUT

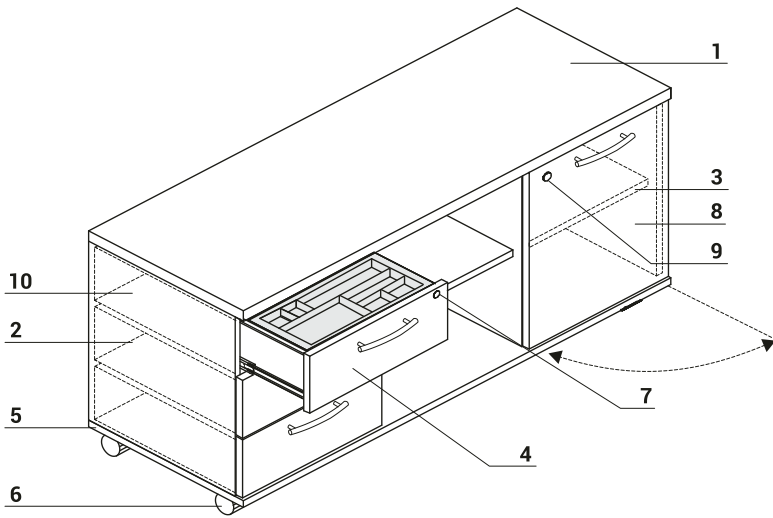


## MANAGERIAL STORAGES

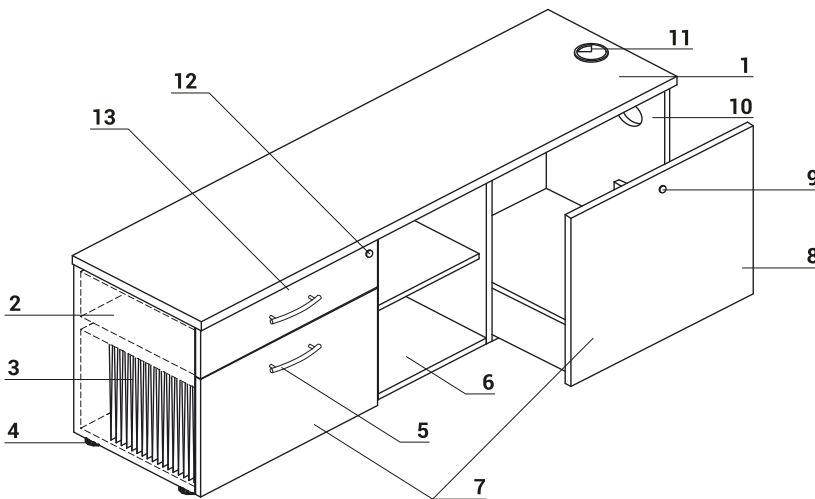


1. **Top** - MFC 28mm, PVC edge
2. **Side panels** - MFC 18mm, PVC edge
3. **Front** - MFC 18mm, PVC edge
4. **Shelf** - MFC 18mm, PVC edge
5. **Drawer** - MFC 18mm, PVC edge, lock - possible to change location
6. **Base** - MFC 18mm, PVC edge
7. **Leveling feet** - range 5mm

TECHNICAL SPECIFICATION



- 1. **Top** - MFC 28mm, PVC edge
- 2. **Side panels** - MFC 18mm, PVC edge
- 3. **Shelf** - MFC 18mm, PVC edge
- 4. **Pencil tray** - black plastic
- 5. **Base** - MFC 18mm, PVC edge
- 6. **Castors** - Ø50mm, two with brakes
- 7. **Patent lock**
- 8. **Front** - MFC 18mm,PVC edge, plain hinge 110°
- 9. **Central lock** - foldable key
- 10. **Metal drawer** - roll runners, max load 25kg, 80% extraction; Anti - tilt mechanism; OPTIONAL: ball runners, soft closing



- 1. **Top** - MFC 28mm, PVC edge
- 2. **Metal drawer** - roll runners, max load 25kg, 80% extraction; Anti - tilt mechanism; OPTIONAL: ball runners, soft closing
- 3. **Suspension files drawer** - ball runners, max load 40kg, 100% extraction; push-to-open
- 4. **Leveling feet** - range 5mm
- 5. **Aluminum handle**
- 6. **Base** - MFC 18mm, PVC edge
- 7. **Front** - MFC 18mm,PVC edge
- 8. **Drawer with bottom** - ball runners, max. load 40 kg, 100 % extraction, push - to - open (possible storage of computer)
- 9. **Central lock** - foldable key
- 10. **Body** - MFC 18mm, PVC edge
- 11. **Cable grommets** - Ø80mm
- 12. **Patent lock**
- 13. **Pencil tray** - black plastic

PRODUCT ILLUSTRATION	DIMENSIONS [mm]			INDEX SYMBOL	PRICE EUR				COMMENTS
	WIDTH	DEPTH	HEIGHT			kg	m3	pcs	

**MANAGERIAL STORAGES**

	1600	434	600	<b>A12M</b>	630,-	77.0	0.376	4	adjustable shelves
	1400	432	600	<b>A14M</b>	360,-	57.5	0.152	4	universal storage left or right, adjustable shelves
	1200	432	599	<b>A120ML</b>	320,-	0.0	0.001	0	
	1200	432	599	<b>A120MP</b>	320,-	0.0	0.001	0	

**ADDITIONAL CHARGE**

FEATURE	PRODUCT												COMMENTS
	A12M	A14M	A120ML	A120MP						kg	m3	pcs	
II PRICE GROUP	35,-	35,-	35,-	35,-						0.0	0.0000	0	

DESCRIPTION

- NET WEIGHT

VOLUME

NUMBER OF PACKAGES





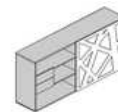
TECHNICAL SPECIFICATION

COLOURS

ZS01 - TOP, BOTTOM, BODY



67 WHITE PASTEL



ZS01 - FRONT



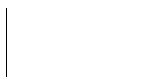
73 HIGH GLOSS WHITE



M015 WHITE SEMI-MATTE



ZS02 - TOP, BOTTOM, BODY



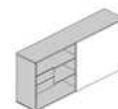
67 WHITE PASTEL



26 ALUMINUM SATINATO



154 ANTHRACITE



ZS02 - FRONT



73 HIGH GLOSS WHITE



74 HIGH GLOSS ORANGE



80 HIGH GLOSS LIME



81 HIGH GLOSS BURGUNDY



101 HIGH GLOSS BLACK



102 HIGH GLOSS YELLOW



108 BLUE HIGH GLOSS



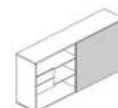
127 HIGH GLOSS FUCHSIA



148 HIGH GLOSS GRAY



155 ANTHRACITE HIGH GLOSS



ZS03 - TOP, BOTTOM



14 BEECH



26 ALUMINUM SATINATO



31 CANADIAN OAK



34 CHESTNUT



39 POLAR BIRCH



64 COCOA



67 WHITE PASTEL



106 LOWLAND NUT



154 ANTHRACITE



ZS03 - BODY



67 WHITE PASTEL



26 ALUMINUM SATINATO



154 ANTHRACITE



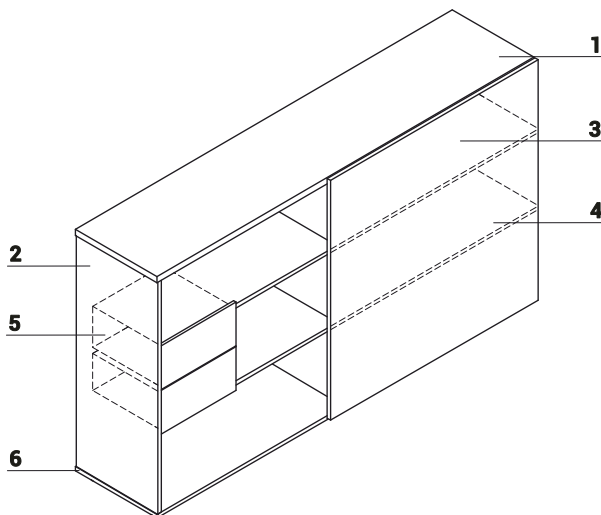
TECHNICAL SPECIFICATION

COLOURS

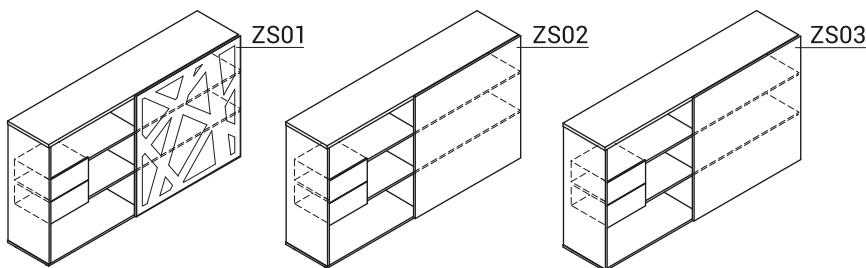
ZS03 - FRONT



MANAGERIAL STORAGE



- 1. **Top** - MFC 28mm, PVC edge
- 2. **Side panels** - MFC 28mm, PVC edge
- 3. **Front** - sliding doors, metal self-closing mechanism, PVC edge
- 4. **Shelf** - MFC 18mm, PVC edge
- 5. **Drawer** - MFC 12mm, PVC edge, possible different position
- 6. **Base** - MFC 28mm, PVC edge



**ZS01**  
HPL + powder coated steel

**ZS02**  
Front - HPL 18mm - high gloss, PVC edge

**ZS03**  
Front - MFC 18mm, PVC edge

Note: The front width 1100mm

PRODUCT ILLUSTRATION	DIMENSIONS [mm]			INDEX SYMBOL	PRICE EUR					COMMENTS
	WIDTH	DEPTH	HEIGHT			kg	m3	pcs		
<b>MANAGERIAL STORAGE</b>										
	2000	434	1129	<b>ZS01</b>	1 150,-	114.2	0.331	5		ZIG-ZAG front
	2000	434	1129	<b>ZS02</b>	890,-	122.2	0.331	5		HPL front
	2000	434	1129	<b>ZS03</b>	770,-	114.2	0.331	5		MFC front
	428	385	403	<b>ZSZ01</b>	90,-	10.2	0.075	1		additional drawer for storage ZS01, ZS02, ZS03

DESCRIPTION

- NET WEIGHT

VOLUME

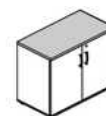
NUMBER OF PACKAGES



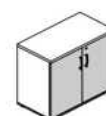
TECHNICAL SPECIFICATION

COLOURS

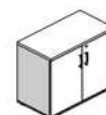
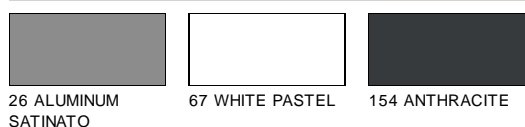
TOP, BOTTOM



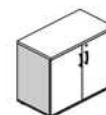
FRONT



BODY - FIRST GROUP

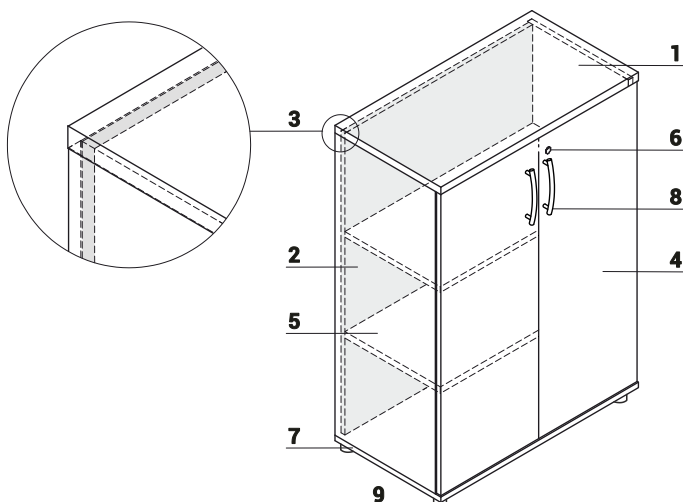


BODY - SECOND GROUP



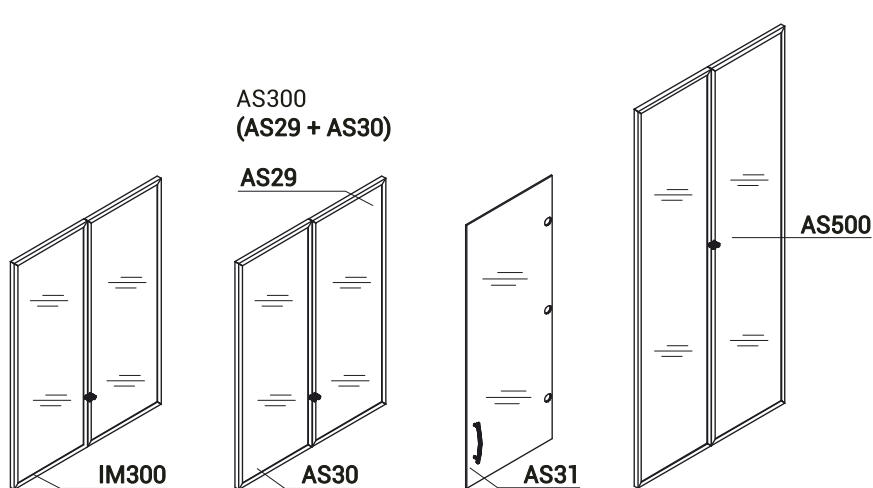
TECHNICAL SPECIFICATION

STORAGES



1. **Top** - MFC 28mm, PVC edge
2. **Side panels** - MFC 18mm, PVC edge
3. **Back MFC** - 18mm, PVC edges
4. **Front** - MFC 18 mm, PVC edges, plain hinge 110°
5. **Shelf** - MFC 18mm, PVC edge
6. **Patent lock**
7. **Base** - MFC 18mm, PVC edge
8. **Aluminum handle**
9. **Leveling feet 27mm** - range 12mm

ADDITIONAL ELEMENTS FOR STORAGE



- IM300**
- glass door 3OH
- transparent tempered glass 4mm, with aluminum frame
- AS300 (AS29+AS30)**
- AS29**
- Glass door 3OH
- frosted tempered glass 4mm, with aluminum frame Right
- AS30**
- Glass door 3OH
- frosted tempered glass 4mm, with aluminum frame Left
- AS31**
- Glass door 3OH
- transparent tempered glass 4mm
- universal (left,right)
- AS500**
- Glass door 5OH
- transparent tempered glass 4mm, with aluminum frame

PRODUCT ILLUSTRATION	DIMENSIONS [mm]			INDEX SYMBOL	PRICE EUR				COMMENTS
	WIDTH	DEPTH	HEIGHT			kg	m3	pcs	

**60H STORAGE 800 mm WIDE**

	801	432	2185	<b>A6504</b>	250,-	67.0	0.167	2	
	801	432	2185	<b>A6104</b>	370,-	88.0	0.224	3	OPTIONAL: espagnolette lock - additional fee

**60H STORAGE 1000 mm WIDE**

	1000	432	2185	<b>A6505</b>	360,-	86.0	0.184	2	
	1000	432	2185	<b>A6105</b>	480,-	112.0	0.255	3	espagnolette lock

**60H STORAGE 1200 mm WIDE**

	1200	432	2185	<b>A6506</b>	380,-	98.0	0.219	2	
	1200	432	2185	<b>A6106</b>	540,-	128.0	0.303	3	espagnolette lock

**ADDITIONAL CHARGE**

FEATURE	PRODUCT									COMMENTS
	A6504	A6104	A6505	A6105	A6506	A6106	kg	m3	pcs	
ESPAÑOLETTE LOCK		40,-					0.1	0.0001	1	
II PRICE GROUP	60,-	60,-	60,-	60,-	60,-	60,-	0.0	0.0000	0	
ANGLE HINGE 170°		25,-		25,-		25,-	1.0	0.0010	1	

DESCRIPTION

- NET WEIGHT

VOLUME

NUMBER OF PACKAGES



PRODUCT ILLUSTRATION	DIMENSIONS [mm]			INDEX SYMBOL	PRICE EUR				COMMENTS
	WIDTH	DEPTH	HEIGHT			kg	m3	pcs	

### 50H STORAGE 400 mm WIDE

	402	432	1833	<b>A5902</b>	160,-	38.0	0.083	2	
	402	432	1833	<b>A58P2</b>	180,-	40.0	0.096	2	right door
	402	432	1833	<b>A56P2</b>	200,-	45.0	0.096	2	right door, OPTIONAL: espagnolette lock - additional fee

### 50H STORAGE 800 mm WIDE

	801	432	1833	<b>A5504</b>	190,-	58.0	0.167	2	
	801	432	1833	<b>A5404</b>	250,-	65.0	0.187	3	
	801	432	1833	<b>A5304</b>	260,-	69.3	0.194	3	
	801	432	1833	<b>A5104</b>	300,-	76.7	0.209	3	OPTIONAL: espagnolette lock - additional fee

### 50H STORAGE 1000 mm WIDE

	1000	432	1833	<b>A5505</b>	310,-	74.0	0.159	2	
	1000	432	1833	<b>A5105</b>	420,-	95.0	0.219	3	espagnolette lock

### ADDITIONAL CHARGE

FEATURE	PRODUCT													COMMENTS
	A5902	A58P2	A56P2	A5504	A5404	A5304	A5104	A5505	A5105		kg	m3	pcs	
ESPAÑOLETTE LOCK			40,-				40,-				0.1	0.0001	1	
II PRICE GROUP	50,-	50,-	50,-	50,-	50,-	50,-	50,-	50,-	50,-		0.0	0.0000	0	
ANGLE HINGE 170°		20,-	20,-		20,-	20,-	25,-		25,-		1.0	0.0010	1	

DESCRIPTION

- NET WEIGHT

VOLUME

NUMBER OF PACKAGES

PRODUCT ILLUSTRATION	DIMENSIONS [mm]			INDEX SYMBOL	PRICE EUR				COMMENTS
	WIDTH	DEPTH	HEIGHT			kg	m3	pcs	

5OH STORAGES 1200 mm WIDE

	1200	432	1833	<b>A5506</b>	330,-	83.0	0.185	2	
	1200	432	1833	<b>A5106</b>	510,-	108.0	0.256	3	espagnolette lock

4OH STORAGES 800 mm WIDE

	801	432	1481	<b>A4504</b>	170,-	47.0	0.114	2	
	801	432	1481	<b>A4404</b>	220,-	54.0	0.134	3	
	801	432	1481	<b>A4304</b>	240,-	58.3	0.140	3	
	801	432	1481	<b>A4104</b>	270,-	60.0	0.147	3	

4OH STORAGE 1200 mm WIDE

	1200	432	1481	<b>A4506</b>	310,-	59.0	0.167	2	
--	------	-----	------	--------------	-------	------	-------	---	--

ADDITIONAL CHARGE

FEATURE	PRODUCT										COMMENTS
	A5506	A5106	A4504	A4404	A4304	A4104	A4506	kg	m3	pcs	
II PRICE GROUP	50,-	50,-	45,-	45,-	45,-	45,-	45,-	0.0	0.0000	0	
ANGLE HINGE 170°		25,-		20,-	20,-	25,-		1.0	0.0010	1	

DESCRIPTION

- NET WEIGHT

VOLUME

NUMBER OF PACKAGES

PRODUCT ILLUSTRATION	DIMENSIONS [mm]			INDEX SYMBOL	PRICE EUR				COMMENTS
	WIDTH	DEPTH	HEIGHT			kg	m3	pcs	

**3OH STORAGES 400 mm WIDE**

	402	432	1129	<b>A3902</b>	110,-	24.0	0.059	2	
	402	432	1129	<b>A38P2</b>	130,-	28.0	0.063	2	right door
	402	432	1129	<b>A36P2</b>	140,-	29.0	0.064	2	right door

**3OH STORAGES 800 mm WIDE**

	801	432	1129	<b>A3504</b>	150,-	37.0	0.091	2	
	801	432	1129	<b>A3404</b>	200,-	40.0	0.109	3	
	801	432	1129	<b>A3104</b>	210,-	44.3	0.116	3	

**3OH STORAGES 1000 mm WIDE**

	1000	432	1129	<b>A3505</b>	210,-	48.0	0.100	2	
	1000	432	1129	<b>A3105</b>	270,-	61.0	0.138	3	

**ADDITIONAL CHARGE**

FEATURE	PRODUCT												COMMENTS
	A3902	A38P2	A36P2	A3504	A3404	A3104	A3505	A3105		kg	m3	pcs	
II PRICE GROUP	40,-	40,-	40,-	40,-	40,-	40,-	40,-	40,-		0.0	0.0000	0	
ANGLE HINGE 170°		20,-	20,-		20,-	20,-		20,-		1.0	0.0010	1	

DESCRIPTION

- NET WEIGHT

VOLUME

NUMBER OF PACKAGES

PRODUCT ILLUSTRATION	DIMENSIONS [mm]			INDEX SYMBOL	PRICE EUR				COMMENTS
	WIDTH	DEPTH	HEIGHT			kg	m3	pcs	

### 3OH STORAGES 1200 mm WIDE

	1200	432	1129	<b>A3506</b>	230,-	54.0	0.119	2	
	1200	432	1129	<b>A3106</b>	290,-	69.0	0.164	3	

### 3OH STORAGE 1600 mm WIDE

	1600	432	1129	<b>A3508</b>	290,-	69.0	0.147	2	
--	------	-----	------	--------------	-------	------	-------	---	--

### ADDITIONAL CHARGE

FEATURE	PRODUCT												COMMENTS
	A3506	A3106	A3508							kg	m3	pcs	
II PRICE GROUP	40,-	40,-	40,-							0.0	0.0000	0	
ANGLE HINGE 170°		20,-								1.0	0.0010	1	

DESCRIPTION

- NET WEIGHT

VOLUME

NUMBER OF PACKAGES

PRODUCT ILLUSTRATION	DIMENSIONS [mm]			INDEX SYMBOL	PRICE EUR				COMMENTS
	WIDTH	DEPTH	HEIGHT			kg	m3	pcs	

2OH STORAGEES

	402	432	777	<b>A2902</b>	90,-	18.0	0.041	2	
	402	432	777	<b>A26P2</b>	140,-	21.0	0.048	2	right door
	801	432	777	<b>A2504</b>	110,-	28.0	0.071	2	
	801	432	777	<b>A2104</b>	160,-	35.0	0.091	3	
	1200	432	777	<b>A2506</b>	180,-	43.0	0.104	2	
	1600	432	777	<b>A2508</b>	240,-	51.0	0.118	2	
	801	432	740	<b>A25B4</b>	110,-	27.0	0.071	2	
	801	432	740	<b>A21B4</b>	160,-	33.5	0.090	3	

ADDITIONAL CHARGE

FEATURE	PRODUCT												COMMENTS
	A2902	A26P2	A2504	A2104	A2506	A2508	A25B4	A21B4		kg	m3	pcs	
II PRICE GROUP	35,-	35,-	35,-	35,-	35,-	35,-	35,-	35,-		0.0	0.0000	0	
ANGLE HINGE 170°		20,-		20,-				20,-		1.0	0.0010	1	

DESCRIPTION

- NET WEIGHT

VOLUME

NUMBER OF PACKAGES

PRODUCT ILLUSTRATION	DIMENSIONS [mm]			INDEX SYMBOL	PRICE EUR				COMMENTS
	WIDTH	DEPTH	HEIGHT			kg	m3	pcs	

**2 OH STACK-ON STORAGES**

	402	432	750	<b>A1902</b>	90,-	18.0	0.041	2	
	402	432	750	<b>A16P2</b>	110,-	21.0	0.048	2	right door
	801	432	750	<b>A1504</b>	110,-	23.0	0.052	2	
	801	432	750	<b>A1104</b>	160,-	30.0	0.072	3	

**PRINTER STORAGE**

	710	600	600	<b>S85</b>	160,-	32.0	0.066	1	under printer storage, all in 26 - aluminum satinato or 67 - white pastel or 154 - anthracite
--	-----	-----	-----	------------	-------	------	-------	---	---

**ADDITIONAL CHARGE**

FEATURE	PRODUCT											COMMENTS
	A1902	A16P2	A1504	A1104					kg	m3	pcs	
II PRICE GROUP	35,-	35,-	35,-	35,-					0.0	0.0000	0	
ANGLE HINGE 170°		20,-		20,-					1.0	0.0010	1	

DESCRIPTION

- NET WEIGHT

VOLUME

NUMBER OF PACKAGES

PRODUCT ILLUSTRATION	DIMENSIONS [mm]			INDEX SYMBOL	PRICE EUR				COMMENTS
	WIDTH	DEPTH	HEIGHT			kg	m3	pcs	

### ADDITIONAL ELEMENTS FOR STORAGE

	397	5	1050	<b>AS31</b>	80,-	6.5	0.034	1	universal glass door (1pcs) 3OH, transparent tempered glass
	397	20	1050	<b>AS29</b>	120,-	5.0	0.022	1	right glass door (1pcs) 3OH with aluminum frame, frosted tempered glass
	397	20	1050	<b>AS30</b>	120,-	5.0	0.022	1	left glass door (1pcs) 3OH aluminum frame, frosted tempered glass
	800	20	1050	<b>AS300</b>	230,-	10.3	0.037	1	glass doors (2pcs) 3OH aluminum frame, frosted tempered glass
	800	20	1050	<b>IM300</b>	210,-	10.0	0.039	1	glass doors (2pcs) 3OH aluminum frame, transparent tempered glass
	400	20	1050	<b>IM30L</b>	100,-	5.0	0.030	1	glass doors (1pcs) 3OH aluminum frame, transparent tempered glass
	400	20	1050	<b>IM30P</b>	100,-	5.0	0.030	1	glass doors (1pcs) 3OH aluminum frame, transparent tempered glass
	800	20	1754	<b>AS500</b>	370,-	16.0	0.065	1	glass doors (2pcs) 5OH aluminum frame, transparent tempered glass

DESCRIPTION

- NET WEIGHT

VOLUME

NUMBER OF PACKAGES

## TECHNICAL SPECIFICATION

### COLOURS

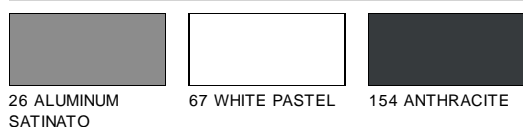
#### TOP, BOTTOM



#### FRONT



#### BODY - FIRST GROUP



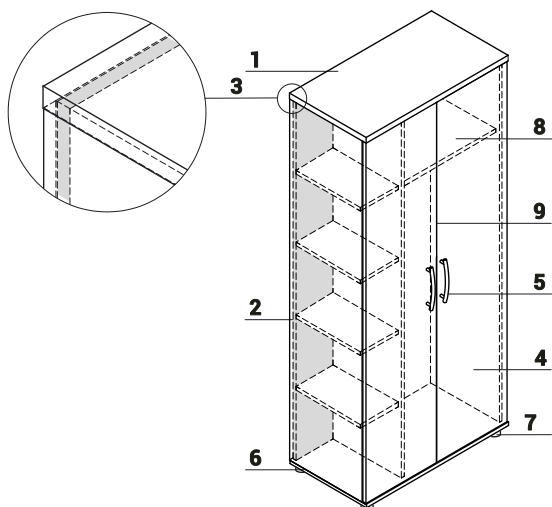
#### BODY - SECOND GROUP





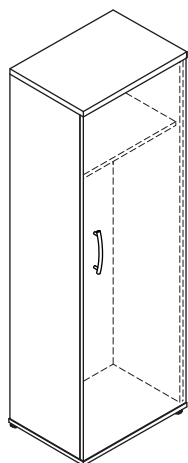
TECHNICAL SPECIFICATION

WARDROBES

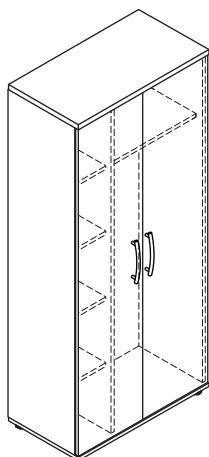


1. **Top** - MFC 28mm, PVC edge
2. **Side panels** - MFC 18mm, PVC edge
3. **Back MFC** - 18mm, PVC edges
4. **Front** - MFC 18 mm, PVC edges, plain hinge 110°
5. **Aluminum handle**
6. **Base** - MFC 18mm, PVC edge
7. **Leveling feet 27mm** - range 12mm
8. **Shelf** - MFC 18mm, PVC edge
9. **Option with additional charge** - espagnolette lock

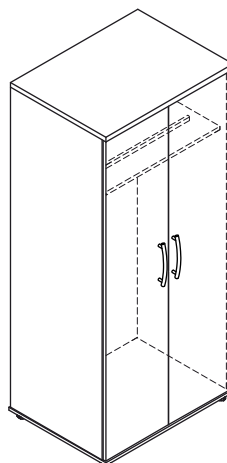
A57P3\*\*



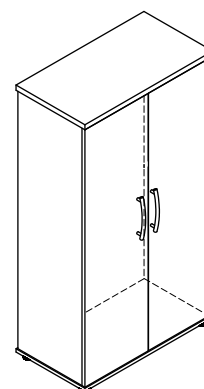
A52P4\*\*



A6204\*



A4204\*\*



\* Coat rod \*\* Slide-out hanger

PRODUCT ILLUSTRATION	DIMENSIONS [mm]			INDEX SYMBOL	PRICE EUR				COMMENTS
	WIDTH	DEPTH	HEIGHT			kg	m3	pcs	

## WARDROBES

	602	432	1833	<b>A57P3</b>	320,-	52.0	0.135	2	wardrobe with slide out hanger; OPTIONAL: espagnolette lock
	801	600	1833	<b>A6204</b>	330,-	72.0	0.191	3	wardrobe with coat rod, OPTIONAL: espagnolette lock
	801	432	1833	<b>A52P4</b>	350,-	76.0	0.215	3	wardrobe with slide out hanger, 4 OH; OPTIONAL: espagnolette lock
	802	432	1481	<b>A4204</b>	320,-	50.0	0.122	3	wardrobe with slide out hanger; OPTIONAL: espagnolette lock

## 2 OH STACK-ON STORAGEES

	602	432	750	<b>A16P3</b>	180,-	27.0	0.067	2	
--	-----	-----	-----	--------------	-------	------	-------	---	--

## ADDITIONAL CHARGE

FEATURE	PRODUCT									COMMENTS
	A57P3	A6204	A52P4	A4204	A16P3		kg	m3	pcs	
ESPAÑOLETTE LOCK	40,-	40,-	40,-	40,-			0.1	0.0001	1	
II PRICE GROUP	50,-	50,-	50,-	45,-	35,-		0.0	0.0000	0	
ANGLE HINGE 170°	20,-	25,-	25,-	25,-	20,-		1.0	0.0010	1	

## DESCRIPTION

- NET WEIGHT

VOLUME

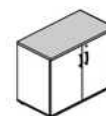
NUMBER OF PACKAGES



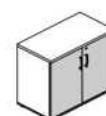
## TECHNICAL SPECIFICATION

### COLOURS

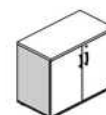
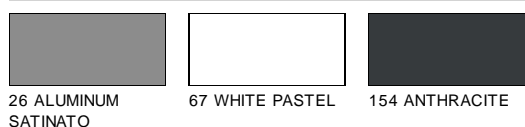
#### TOP, BOTTOM



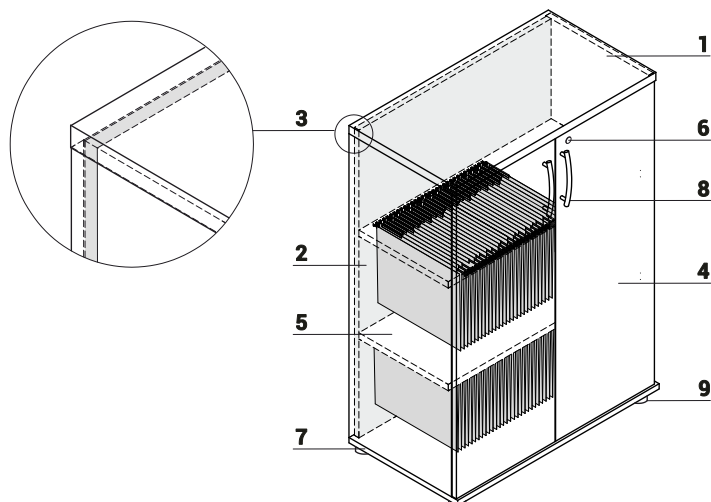
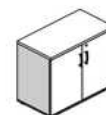
#### FRONT



#### BODY - FIRST GROUP



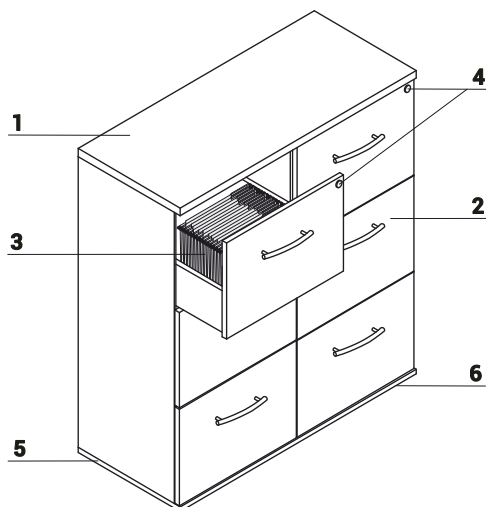
#### BODY - SECOND GROUP



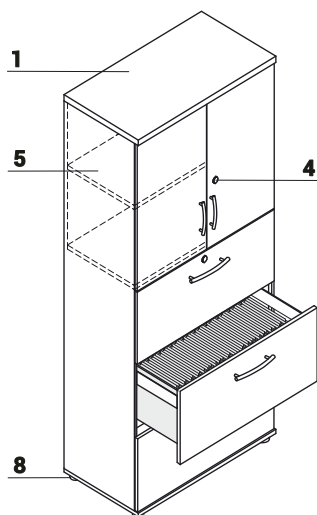
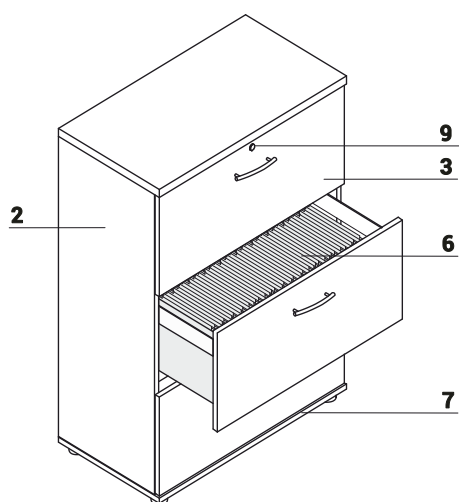
1. **Top** - MFC 28mm, PVC edge
2. **Side panels** - MFC 18mm, PVC edge
3. **Back MFC** - 18mm, PVC edges
4. **Front** - MFC 18 mm, PVC edges, plain hinge 110°
5. **Metal shelf with possibility of using suspension files** - max load 41kg, colour: M009 - aluminum semi-matte
6. **Patent lock**
7. **Base** - MFC 18mm, PVC edge
8. **Aluminum handle**
9. **Leveling feet 27mm** - range 12mm

TECHNICAL SPECIFICATION

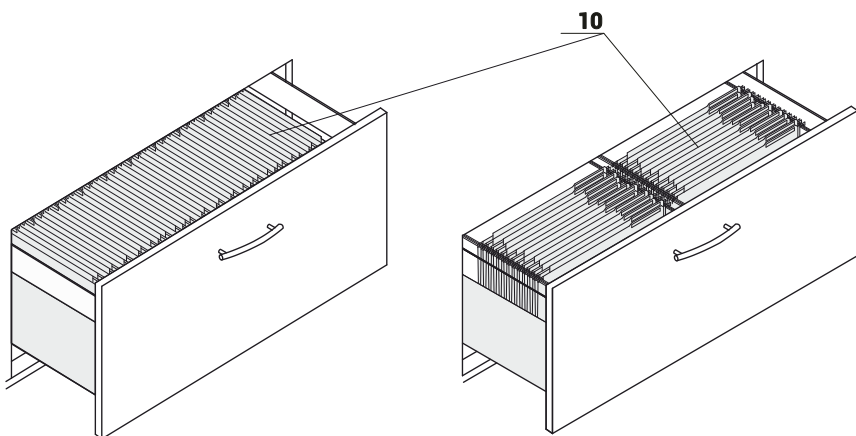
STORAGES AND FILING CABINETS WITH METAL SHELVES



- 1. **Top** - MFC 28mm, PVC edge
- 2. **Front** - MFC 18mm,PVC edge
- 3. **Suspension files drawer** - MFC 18mm, ball runners, max load 45kg, 100% extraction
- 4. **Central lock** - foldable key
- 5. **Base** - MFC 18mm, PVC edge
- 6. **Leveling feet 27mm** - range 12mm



- 1. **Top** - MFC 28mm, PVC edge
- 2. **Side panels** - MFC 18mm, PVC edge
- 3. **Front** - MFC 18 mm, PVC edges, plain hinge 110°
- 4. **Patent lock**
- 5. **Shelf** - MFC 18mm, PVC edge
- 6. **Suspension files drawer** - metal frame, ball runners, max load 55kg, 100% extraction
- 7. **Base** - MFC 18mm, PVC edge
- 8. **Leveling feet 27mm** - range 12mm
- 9. **Espagnolet lock**
- 10. Possibility to place suspension files of A4 size



PRODUCT ILLUSTRATION	DIMENSIONS [mm]			INDEX SYMBOL	PRICE EUR				COMMENTS
	WIDTH	DEPTH	HEIGHT			kg	m3	pcs	

## STORAGES AND FILING CABINETS WITH METAL SHELVES

	801	432	1129	<b>A3504TM</b>	210,-	36.0	0.091	2	3 metal shelves
	801	432	1129	<b>A3104TM</b>	310,-	47.3	0.118	3	2 metal shelves
	1000	432	1129	<b>A3505TM</b>	320,-	39.0	0.100	2	2 metal shelves
	1000	432	1129	<b>A3105TM</b>	410,-	52.0	0.138	3	2 metal shelves
	1200	432	1129	<b>A3506TM</b>	380,-	46.0	0.127	2	2 metal shelves
	1200	432	1129	<b>A3106TM</b>	490,-	61.0	0.172	3	2 metal shelves
	801	432	1833	<b>A5504TM</b>	300,-	55.0	0.167	2	4 metal shelves
	801	432	1833	<b>A5104TM</b>	450,-	72.0	0.215	3	4 metal shelves, espagnolette lock
	1000	432	1833	<b>A5505TM</b>	500,-	59.0	0.158	2	4 metal shelves

## ADDITIONAL CHARGE

FEATURE	PRODUCT												COMMENTS
	A3504TM	A3104TM	A3505TM	A3105TM	A3506TM	A3106TM	A5504TM	A5104TM	A5505TM	kg	m3	pcs	
II PRICE GROUP	40,-	40,-	40,-	40,-	40,-	40,-	50,-	50,-	50,-	0.0	0.0000	0	
ANGLE HINGE 170°		20,-		20,-		20,-		25,-		1.0	0.0010	1	

DESCRIPTION

- NET WEIGHT

VOLUME

NUMBER OF PACKAGES

PRODUCT ILLUSTRATION	DIMENSIONS [mm]			INDEX SYMBOL	PRICE EUR				COMMENTS
	WIDTH	DEPTH	HEIGHT			kg	m3	pcs	

### STORAGES AND FILING CABINETS WITH METAL SHELVES

	1000	432	1833	<b>A5105TM</b>	620,-	80.0	0.218	3	4 metal shelves, espagnolette lock
	1200	432	1833	<b>A5506TM</b>	530,-	66.0	0.218	2	4 metal shelves
	1200	432	1833	<b>A5106TM</b>	660,-	91.0	0.289	3	4 metal shelves, espagnolette lock

### FILING DRAWERS CABINETS

	801	432	1129	<b>A3F04</b>	820,-	52.7	0.421	1	suspension file drawers without - open bottom
	1000	432	1129	<b>A6F04</b>	940,-	87.0	0.528	1	suspension file drawers with bottom
	801	432	1833	<b>A54B4</b>	840,-	74.1	0.684	1	suspension file drawers without - open bottom
	801	432	1833	<b>A54C4</b>	1 030,-	70.5	0.684	1	suspension file drawers without - open bottom

### ADDITIONAL CHARGE

FEATURE	PRODUCT											COMMENTS
	A5105TM	A5506TM	A5106TM	A3F04	A6F04	A54B4	A54C4		kg	m3	pcs	
II PRICE GROUP	50,-	50,-	50,-	40,-	40,-	50,-	50,-		0.0	0.0000	0	
ANGLE HINGE 170°	25,-		25,-			20,-	20,-		1.0	0.0010	1	

DESCRIPTION

- NET WEIGHT

VOLUME

NUMBER OF PACKAGES

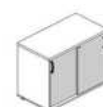
## TECHNICAL SPECIFICATION

### COLOURS

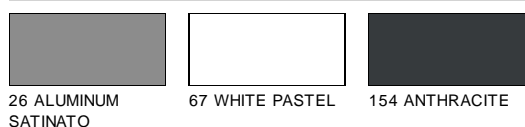
#### TOP, BOTTOM



#### FRONT



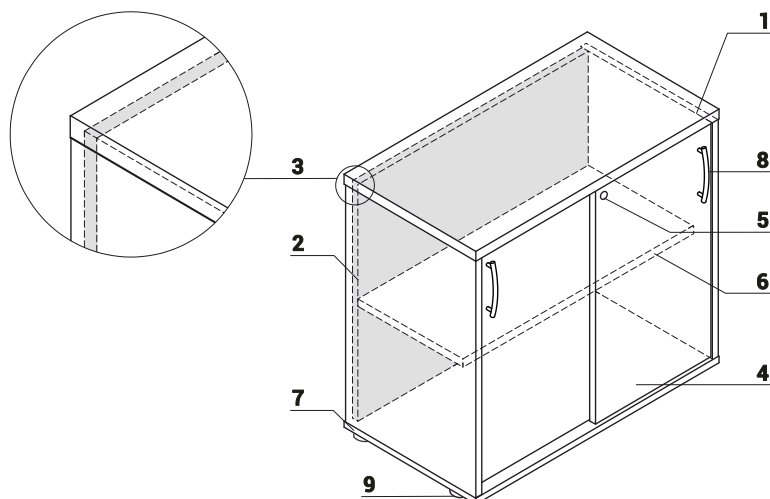
#### BODY - FIRST GROUP



#### BODY - SECOND GROUP



### SLIDING DOOR STORAGES



1. Top - MFC 28mm, PVC edge
2. Side panels - MFC 18mm, PVC edge
3. Back MFC - 18mm, PVC edges
4. Sliding front - MFC 18mm, PVC edge
5. Patent lock
6. Shelf - MFC 18mm, PVC edge
7. Base - MFC 18mm, PVC edge
8. Aluminum handle
9. Leveling feet 27mm - range 12mm
10. Option with additional charge - soft-closing system



PRODUCT ILLUSTRATION	DIMENSIONS [mm]			INDEX SYMBOL	PRICE EUR				COMMENTS
	WIDTH	DEPTH	HEIGHT			kg	m3	pcs	

## SLIDING DOOR STORAGES

	800	432	740	<b>A2P04</b>	180,-	35.0	0.092	3	
	1000	432	740	<b>A2P05</b>	210,-	40.5	0.109	3	
	1200	432	740	<b>A2P06</b>	230,-	41.0	0.120	3	
	1600	432	740	<b>A2P08</b>	310,-	64.0	0.152	3	
	1610	432	740	<b>A2P16</b>	320,-	64.0	0.154	3	
	800	432	1129	<b>A3P04</b>	240,-	48.0	0.126	3	
	1000	432	1129	<b>A3P05</b>	270,-	61.0	0.146	3	
	1200	432	1129	<b>A3P06</b>	310,-	75.0	0.174	3	
	1600	432	1129	<b>A3P08</b>	420,-	89.0	0.230	3	

## ADDITIONAL CHARGE

FEATURE	PRODUCT													COMMENTS
	A2P04	A2P05	A2P06	A2P08	A2P16	A3P04	A3P05	A3P06	A3P08		kg	m3	pcs	
II PRICE GROUP	35,-	35,-	35,-	35,-	35,-	40,-	40,-	40,-	40,-		0.0	0.0000	0	
SELF CLOSING SYSTEM	70,-	70,-	70,-	70,-	70,-	70,-	70,-	70,-	70,-		1.0	0.0010	1	

DESCRIPTION

- NET WEIGHT

VOLUME

NUMBER OF PACKAGES

PRODUCT ILLUSTRATION	DIMENSIONS [mm]			INDEX SYMBOL	PRICE EUR				COMMENTS
	WIDTH	DEPTH	HEIGHT			kg	m3	pcs	

**SLIDING DOOR STORAGES**

	1610	432	1129	<b>A3P16</b>	420,-	89.0	0.234	3	
	800	432	1481	<b>A4P04</b>	300,-	60.0	0.158	3	
	1000	432	1481	<b>A4P05</b>	340,-	77.0	0.183	3	
	1200	432	1481	<b>A4P06</b>	380,-	89.0	0.218	3	
	800	432	1833	<b>A5P04</b>	400,-	73.0	0.205	3	
	1000	432	1833	<b>A5P05</b>	460,-	92.0	0.219	3	
	1200	432	1833	<b>A5P06</b>	520,-	103.0	0.260	3	

**TAMBOUR STACK-ON STORAGE**

	1200	432	750	<b>A1P06</b>	240,-	52.0	0.124	3	stack - on storage storage
--	------	-----	-----	--------------	-------	------	-------	---	----------------------------

**ADDITIONAL CHARGE**

FEATURE	PRODUCT												COMMENTS
	A3P16	A4P04	A4P05	A4P06	A5P04	A5P05	A5P06	A1P06		kg	m3	pcs	
II PRICE GROUP	40,-	45,-	45,-	45,-	50,-	50,-	50,-	35,-		0.0	0.0000	0	
SELF CLOSING SYSTEM	70,-	70,-	70,-	70,-	70,-	70,-	70,-	70,-		1.0	0.0010	1	

DESCRIPTION

- NET WEIGHT

VOLUME

NUMBER OF PACKAGES



TECHNICAL SPECIFICATION

COLOURS

TOP, BOTTOM



14 BEECH      26 ALUMINUM SATINATO      31 CANADIAN OAK      34 CHESTNUT      39 POLAR BIRCH



64 COCOA      67 WHITE PASTEL      106 LOWLAND NUT      154 ANTHRACITE      08 BLACK



FRONT - TAMBOUR



08 BLACK      09 ALUMINUM      30 WHITE



BODY - FIRST GROUP



26 ALUMINUM SATINATO      67 WHITE PASTEL      154 ANTHRACITE      08 BLACK



BODY - SECOND GROUP



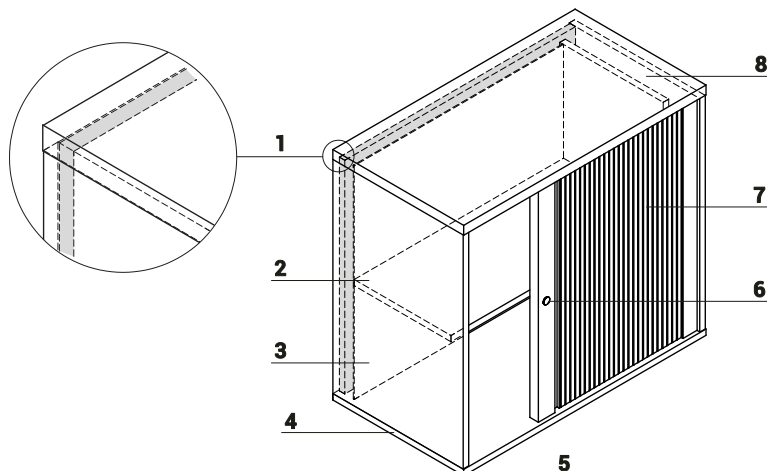
14 BEECH      31 CANADIAN OAK      34 CHESTNUT      39 POLAR BIRCH      64 COCOA



106 LOWLAND NUT



TAMBOUR STORAGES



- 1. Back MFC - 18mm, PVC edges
- 2. Shelf - MFC 18mm, PVC edge
- 3. Side panels - MFC 18mm, PVC edge
- 4. Base - MFC 18mm, PVC edge
- 5. Leveling feet 27mm - range 12mm
- 6. Patent lock
- 7. Front - tambour
- 8. Top - MFC 28mm, PVC edge

PRODUCT ILLUSTRATION	DIMENSIONS [mm]			INDEX SYMBOL	PRICE EUR				COMMENTS
	WIDTH	DEPTH	HEIGHT			kg	m3	pcs	

**TAMBOUR STORAGES**

	800	432	740	<b>A2L04</b>	350,-	32.6	0.303	1	
	1000	432	740	<b>A2L05</b>	400,-	43.0	0.392	1	
	1200	432	740	<b>A2L06</b>	440,-	46.5	0.464	1	
	1600	432	740	<b>A2L08</b>	580,-	56.0	0.615	1	
	1610	432	740	<b>A2L16</b>	590,-	56.0	0.619	1	
	800	432	1129	<b>A3L04</b>	480,-	56.0	0.453	1	
	1000	432	1129	<b>A3L05</b>	540,-	58.0	0.563	1	
	1200	432	1129	<b>A3L06</b>	590,-	64.4	0.673	1	
	1600	432	1129	<b>A3L08</b>	790,-	77.0	0.894	1	

**ADDITIONAL CHARGE**

FEATURE	PRODUCT													COMMENTS
	A2L04	A2L05	A2L06	A2L08	A2L16	A3L04	A3L05	A3L06	A3L08		kg	m3	pcs	
II PRICE GROUP	35,-	35,-	35,-	35,-	35,-	40,-	40,-	40,-	40,-		0.0	0.0000	0	

DESCRIPTION

- NET WEIGHT

VOLUME

NUMBER OF PACKAGES

PRODUCT ILLUSTRATION	DIMENSIONS [mm]			INDEX SYMBOL	PRICE EUR				COMMENTS
	WIDTH	DEPTH	HEIGHT			kg	m3	pcs	

**TAMBOUR STORAGES**

	1610	432	1129	<b>A3L16</b>	800,-	77.0	0.900	1	
	800	432	1481	<b>A4L04</b>	600,-	42.0	0.591	1	
	1000	432	1481	<b>A4L05</b>	640,-	70.0	0.713	2	
	1200	432	1481	<b>A4L06</b>	670,-	78.0	0.853	2	

**ADDITIONAL CHARGE**

FEATURE	PRODUCT												COMMENTS
	A3L16	A4L04	A4L05	A4L06						kg	m3	pcs	
II PRICE GROUP	40,-	45,-	45,-	45,-						0.0	0.0000	0	

DESCRIPTION

- NET WEIGHT

VOLUME

NUMBER OF PACKAGES



TECHNICAL SPECIFICATION

COLOURS

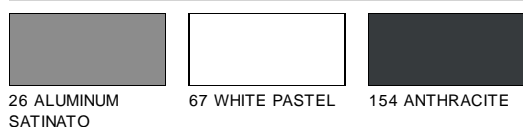
TOP, BOTTOM



FRONT



BODY - FIRST GROUP



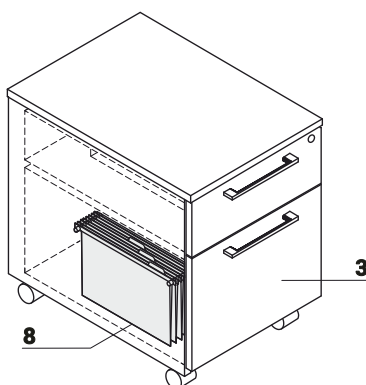
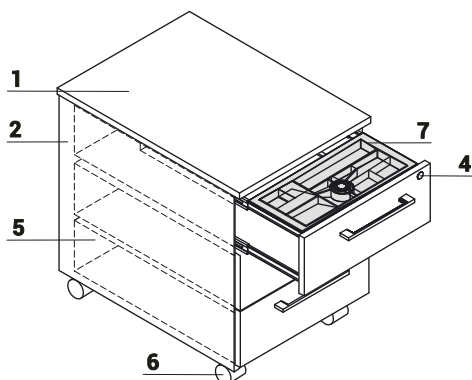
BODY - SECOND GROUP



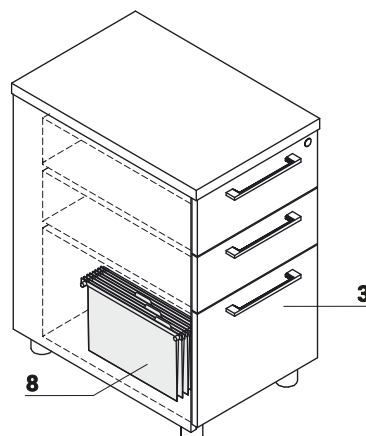
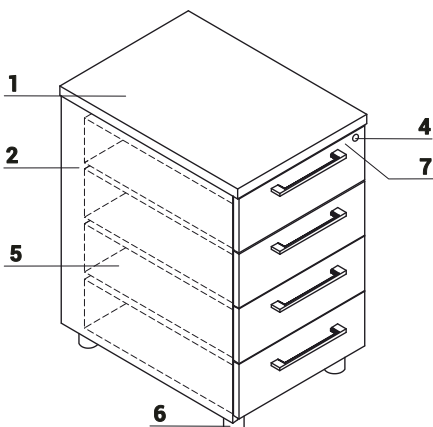


TECHNICAL SPECIFICATION

IKDT PEDESTALS



1. **Top** - MFC 18mm, PVC edge
2. **Body** - MFC 18mm, PVC edge
3. **Front** - MFC 18mm,PVC edge
4. **Central lock** - foldable key
5. **Metal drawer** - roll runners, max load 25kg, 80% extraction; Anti - tilt mechanism; OPTIONAL: ball runners, soft closing
6. **Castors** - Ø50mm, two with brakes
7. **Pencil tray** - black plastic
8. **Suspension files drawer** - ball runners, max load 30kg, 100% extraction  
A4 folders must be inserted parallelly to the front



1. **Top** - MFC 28mm, PVC edge
2. **Body** - MFC 18mm, PVC edge
3. **Front** - MFC 18mm,PVC edge
4. **Central lock** - foldable key
5. **Metal drawer** - roll runners, max load 25kg, 80% extraction; Anti - tilt mechanism; OPTIONAL: ball runners, soft closing
6. **Leveling** - 5mm range
7. **Pencil tray** - black plastic
8. **Suspension files drawer** - ball runners, max load 30kg, 100% extraction  
A4 folders must be inserted parallelly to the front

PRODUCT ILLUSTRATION	DIMENSIONS [mm]			INDEX SYMBOL	PRICE EUR				COMMENTS
	WIDTH	DEPTH	HEIGHT			kg	m3	pcs	

**IKDT PEDESTALS**

	402	600	586	<b>IKDT12</b>	250,-	30.0	0.151	1	mobile with suspension files drawer, drawers depth - 500mm
	402	600	586	<b>IKDT13</b>	230,-	23.0	0.151	1	mobile; drawers depth - 500mm
	402	800	586	<b>IKDT120</b>	310,-	26.0	0.198	1	mobile; drawers depth: standard - 500mm, file - 700mm
	402	800	586	<b>IKDT130</b>	240,-	27.0	0.198	1	mobile; drawers depth - 500mm
	402	600	740	<b>IKDT63</b>	280,-	27.0	0.211	1	file drawer; drawers depth - 500mm
	402	600	740	<b>IKDT64</b>	270,-	28.0	0.193	1	drawers depth - 500mm
	402	800	740	<b>IKDT73</b>	330,-	32.0	0.255	1	file drawer; drawers depth: standard - 500mm, file - 700mm
	402	800	740	<b>IKDT74</b>	320,-	33.0	0.255	1	drawers depth - 500mm

**ADDITIONAL CHARGE**

FEATURE	PRODUCT											COMMENTS
	IKDT12	IKDT13	IKDT120	IKDT130	IKDT63	IKDT64	IKDT73	IKDT74	kg	m3	pcs	
II PRICE GROUP	40,-	40,-	40,-	40,-	40,-	40,-	40,-	40,-	0.0	0.0000	0	
SELF CLOSING SYSTEM	28,-	28,-	28,-	28,-	28,-	35,-	28,-	35,-	1.0	0.0010	1	
BALL RUNNERS	10,-	30,-	10,-	30,-	20,-	40,-	20,-	40,-	1.0	0.0010	1	

DESCRIPTION

- NET WEIGHT

VOLUME

NUMBER OF PACKAGES



TECHNICAL SPECIFICATION

COLOURS

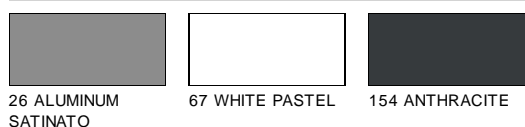
TOP, BOTTOM



FRONT



BODY - FIRST GROUP

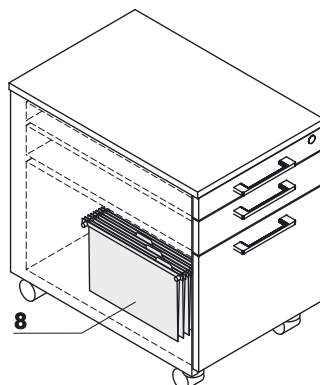
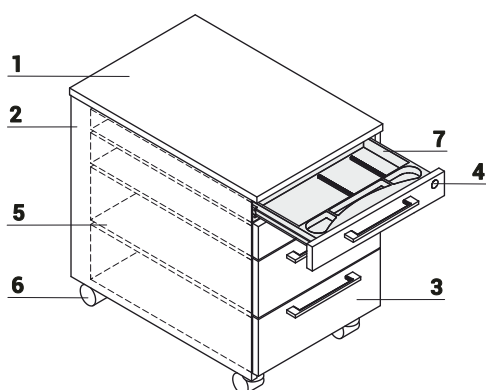


BODY - SECOND GROUP

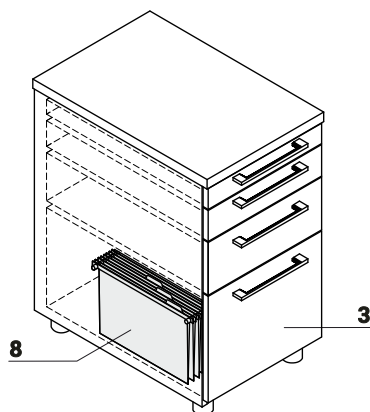
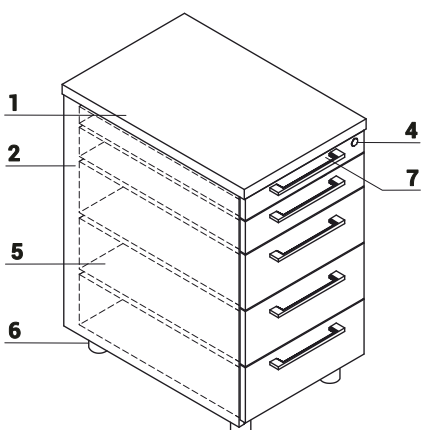


TECHNICAL SPECIFICATION

IKRT PEDESTALS



1. **Top** - MFC 18mm, PVC edge
2. **Body** - MFC 18mm, PVC edge
3. **Front** - MFC 18mm,PVC edge
4. **Central lock** - foldable key
5. **Metal drawer** - roll runners, max load 25kg, 80% extraction; Anti - tilt mechanism; OPTIONAL: ball runners, soft closing
6. **Castors** - Ø50mm, two with brakes
7. **Separate pencil drawer**
8. **Suspension files drawer** - ball runners, max load 30kg, 100% extraction  
A4 folders must be inserted parallelly to the front



1. **Top** - MFC 28mm, PVC edge
2. **Body** - MFC 18mm, PVC edge
3. **Front** - MFC 18mm,PVC edge
4. **Central lock** - foldable key
5. **Metal drawer** - roll runners, max load 25kg, 80% extraction; Anti - tilt mechanism; OPTIONAL: ball runners, soft closing
6. **Leveling** - 5mm range
7. **Separate pencil drawer**
8. **Suspension files drawer** - ball runners, max load 30kg, 100% extraction  
A4 folders must be inserted parallelly to the front

PRODUCT ILLUSTRATION	DIMENSIONS [mm]			INDEX SYMBOL	PRICE EUR				COMMENTS
	WIDTH	DEPTH	HEIGHT			kg	m3	pcs	

**IKRT PEDESTALS**

	402	600	586	<b>IKRT12</b>	280,-	31.0	0.151	1	mobile with suspension files drawer, drawers depth - 500mm
	402	600	586	<b>IKRT13</b>	260,-	24.0	0.151	1	mobile; drawers depth - 500mm
	402	800	586	<b>IKRT120</b>	340,-	27.0	0.198	1	mobile with suspension files drawer; drawers depth: standard - 500mm, file - 700mm
	402	800	586	<b>IKRT130</b>	270,-	28.0	0.198	1	mobile; drawers depth - 500mm
	402	600	740	<b>IKRT63</b>	320,-	28.0	0.211	1	file drawer; drawers depth - 500mm
	402	600	740	<b>IKRT64</b>	310,-	29.0	0.211	1	drawers depth - 500mm
	402	800	740	<b>IKRT73</b>	360,-	33.0	0.255	1	file drawer; drawers depth: standard - 500mm, file - 700mm
	402	800	740	<b>IKRT74</b>	350,-	34.0	0.255	1	drawers depth - 500mm

**ADDITIONAL CHARGE**

FEATURE	PRODUCT											COMMENTS
	IKRT12	IKRT13	IKRT120	IKRT130	IKRT63	IKRT64	IKRT73	IKRT74	kg	m3	pcs	
II PRICE GROUP	40,-	40,-	40,-	40,-	40,-	40,-	40,-	40,-	0.0	0.0000	0	
SELF CLOSING SYSTEM	28,-	28,-	28,-	28,-	28,-	35,-	28,-	35,-	1.0	0.0010	1	
BALL RUNNERS	10,-	30,-	10,-	30,-	20,-	40,-	20,-	40,-	1.0	0.0010	1	

DESCRIPTION

- NET WEIGHT

VOLUME

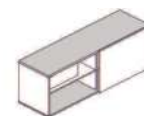
NUMBER OF PACKAGES



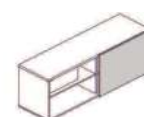
TECHNICAL SPECIFICATION

COLOURS

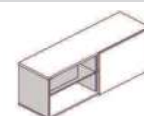
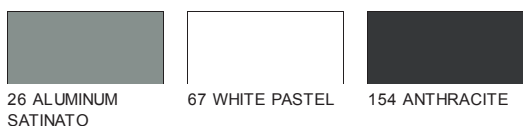
TOP, BOTTOM



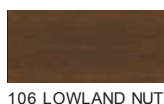
FRONT



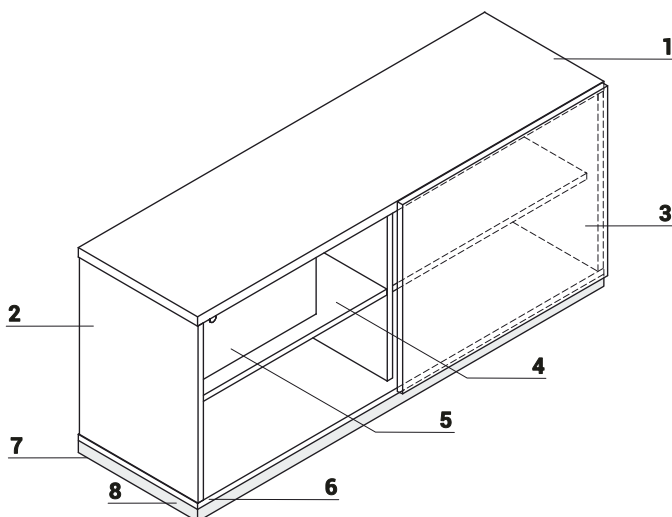
BODY - FIRST GROUP



BODY - SECOND GROUP



MANAGERIAL STORAGE



1. Top - MFC 28mm, PVC edge
2. Side panels - MFC 18mm, PVC edge
3. Front - MFC 18mm, PVC edge
4. Shelf - MFC 18mm, PVC edge
5. Drawer - MFC 18mm, PVC edge, lock - possible to change location
6. Base - MFC 18mm, PVC edge
7. Leveling feet - range 5mm
8. Option with additional charge - metal base - colour: M009 - aluminum semi-matte



PRODUCT ILLUSTRATION	DIMENSIONS [mm]			INDEX SYMBOL	PRICE EUR				COMMENTS
	WIDTH	DEPTH	HEIGHT			kg	m3	pcs	

**MANAGERIAL STORAGES**

	1400	432	600	<b>IA14M</b>	360,-	60.5	0.173	5	
--	------	-----	-----	--------------	-------	------	-------	---	--

**ADDITIONAL CHARGE**

FEATURE	PRODUCT													COMMENTS
	IA14M										kg	m3	pcs	
II PRICE GROUP	35,-										0.0	0.0000	0	
METAL KICK PLATE	50,-										0.0	0.0000	0	

DESCRIPTION

- NET WEIGHT

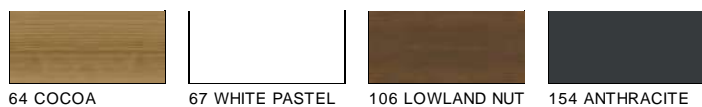
VOLUME

NUMBER OF PACKAGES

TECHNICAL SPECIFICATION

COLOURS

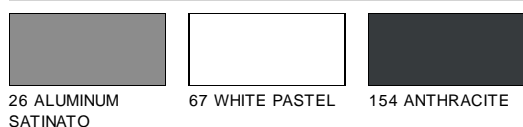
TOP, BOTTOM



FRONT



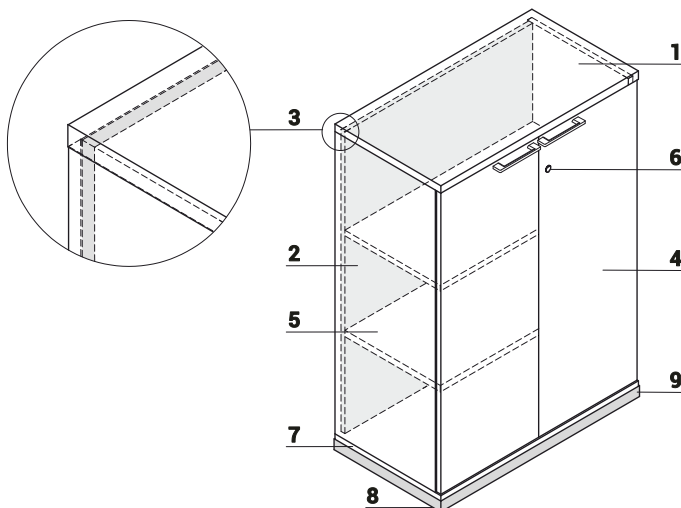
BODY - FIRST GROUP



BODY - SECOND GROUP



STORAGES



1. Top - MFC 28mm, PVC edge
2. Side panels - MFC 18mm, PVC edge
3. Back MFC - 18mm, PVC edges
4. Front - MFC 18 mm, PVC edges, plain hinge 110°
5. Shelf - MFC 18mm, PVC edge
6. Espagnolet lock
7. Base - MFC 18mm, PVC edge
8. Leveling feet 27mm - range 12mm
9. Option with additional charge - metal base - colour: M009 - aluminum semi-matte

PRODUCT ILLUSTRATION	DIMENSIONS [mm]			INDEX SYMBOL	PRICE EUR				COMMENTS
	WIDTH	DEPTH	HEIGHT			kg	m3	pcs	

**60H STORAGE 800 mm WIDE**

	801	432	2185	<b>IA6504</b>	250,-	69.0	0.182	3	
	801	432	2185	<b>IA6104</b>	430,-	90.0	0.238	4	

**60H STORAGE 1000 mm WIDE**

	1000	432	2185	<b>IA6505</b>	360,-	89.0	0.203	3	
	1000	432	2185	<b>IA6105</b>	540,-	115.0	0.273	4	

**60H STORAGE 1200 mm WIDE**

	1200	432	2185	<b>IA6506</b>	380,-	101.0	0.241	3	
	1200	432	2185	<b>IA6106</b>	600,-	131.0	0.325	4	

**ADDITIONAL CHARGE**

FEATURE	PRODUCT									COMMENTS
	IA6504	IA6104	IA6505	IA6105	IA6506	IA6106	kg	m3	pcs	
II PRICE GROUP	60,-	60,-	60,-	60,-	60,-	60,-	0.0	0.0000	0	
ANGLE HINGE 170°		25,-		25,-		25,-	1.0	0.0010	1	
METAL KICK PLATE	40,-	40,-	45,-	45,-	50,-	50,-	0.0	0.0000	0	

DESCRIPTION

- NET WEIGHT

VOLUME

NUMBER OF PACKAGES

PRODUCT ILLUSTRATION	DIMENSIONS [mm]			INDEX SYMBOL	PRICE EUR				COMMENTS
	WIDTH	DEPTH	HEIGHT			kg	m3	pcs	

**50H STORAGE 400 mm WIDE**

	402	432	1833	<b>IA5902</b>	160,-	39.0	0.091	3	
	402	432	1833	<b>IA58P2</b>	230,-	41.0	0.103	3	
	402	432	1833	<b>IA56P2</b>	250,-	46.0	0.103	3	right door

**50H STORAGE 800 mm WIDE**

	801	432	1833	<b>IA5504</b>	190,-	59.0	0.182	3	
	801	432	1833	<b>IA5404</b>	310,-	67.0	0.202	4	
	801	432	1833	<b>IA5304</b>	320,-	71.0	0.212	4	
	801	432	1833	<b>IA5104</b>	370,-	76.0	0.230	4	

**50H STORAGE 1000 mm WIDE**

	1000	432	1833	<b>IA5505</b>	310,-	77.0	0.178	3	
	1000	432	1833	<b>IA5105</b>	490,-	98.0	0.237	4	

**ADDITIONAL CHARGE**

FEATURE	PRODUCT												COMMENTS
	IA5902	IA58P2	IA56P2	IA5504	IA5404	IA5304	IA5104	IA5505	IA5105	kg	m3	pcs	
II PRICE GROUP	50,-	50,-	50,-	50,-	50,-	50,-	50,-	50,-	50,-	0.0	0.0000	0	
ANGLE HINGE 170°		20,-	20,-		20,-	20,-	25,-		25,-	1.0	0.0010	1	
METAL KICK PLATE	40,-	40,-	40,-	40,-	40,-	40,-	40,-	45,-	45,-	0.0	0.0000	0	

DESCRIPTION

- NET WEIGHT

VOLUME

NUMBER OF PACKAGES

PRODUCT ILLUSTRATION	DIMENSIONS [mm]			INDEX SYMBOL	PRICE EUR				COMMENTS
	WIDTH	DEPTH	HEIGHT			kg	m3	pcs	

**50H STORAGES 1200 mm WIDE**

	1200	432	1833	<b>IA5506</b>	330,-	86.0	0.207	3	
	1200	432	1833	<b>IA5106</b>	580,-	111.0	0.278	4	

**40H STORAGES 800 mm WIDE**

	801	432	1481	<b>IA4504</b>	170,-	49.0	0.129	3	
	801	432	1481	<b>IA4404</b>	280,-	56.0	0.149	4	
	801	432	1481	<b>IA4304</b>	300,-	60.0	0.159	4	
	801	432	1481	<b>IA4104</b>	330,-	62.0	0.187	4	

**40H STORAGE 1200 mm WIDE**

	1200	432	1481	<b>IA4506</b>	310,-	62.0	0.189	3	
--	------	-----	------	---------------	-------	------	-------	---	--

**ADDITIONAL CHARGE**

FEATURE	PRODUCT										COMMENTS
	IA5506	IA5106	IA4504	IA4404	IA4304	IA4104	IA4506	kg	m3	pcs	
II PRICE GROUP	50,-	50,-	45,-	45,-	45,-	45,-	45,-	0.0	0.0000	0	
ANGLE HINGE 170°		25,-		20,-	20,-	20,-		1.0	0.0010	1	
METAL KICK PLATE	50,-	50,-	40,-	40,-	40,-	40,-	50,-	0.0	0.0000	0	

DESCRIPTION

- NET WEIGHT

VOLUME

NUMBER OF PACKAGES

PRODUCT ILLUSTRATION	DIMENSIONS [mm]			INDEX SYMBOL	PRICE EUR				COMMENTS
	WIDTH	DEPTH	HEIGHT			kg	m3	pcs	

**3OH STORAGES 400 mm WIDE**

	402	432	1129	<b>IA3902</b>	110,-	25.0	0.066	3	
	402	432	1129	<b>IA38P2</b>	190,-	29.0	0.071	3	right door
	402	432	1129	<b>IA36P2</b>	200,-	30.0	0.072	3	right door

**3OH STORAGES 800 mm WIDE**

	801	432	1129	<b>IA3504</b>	150,-	39.0	0.106	3	
	801	432	1129	<b>IA3404</b>	260,-	42.0	0.124	4	
	801	432	1129	<b>IA3104</b>	280,-	50.0	0.136	4	

**3OH STORAGES 1000 mm WIDE**

	1000	432	1129	<b>IA3505</b>	210,-	51.0	0.118	3	
	1000	432	1129	<b>IA3105</b>	340,-	64.0	0.156	4	

**ADDITIONAL CHARGE**

FEATURE	PRODUCT											COMMENTS
	IA3902	IA38P2	IA36P2	IA3504	IA3404	IA3104	IA3505	IA3105	kg	m3	pcs	
II PRICE GROUP	40,-	40,-	40,-	40,-	40,-	40,-	40,-	40,-	0.0	0.0000	0	
ANGLE HINGE 170°		20,-	20,-		20,-	20,-		20,-	1.0	0.0010	1	
METAL KICK PLATE	40,-	40,-	40,-	40,-	40,-	40,-	45,-	45,-	0.0	0.0000	0	

DESCRIPTION

- NET WEIGHT

VOLUME

NUMBER OF PACKAGES

PRODUCT ILLUSTRATION	DIMENSIONS [mm]			INDEX SYMBOL	PRICE EUR				COMMENTS
	WIDTH	DEPTH	HEIGHT			kg	m3	pcs	

**3OH STORAGES 1200 mm WIDE**

	1200	432	1129	<b>IA3506</b>	230,-	57.0	0.141	3	
	1200	432	1129	<b>IA3106</b>	360,-	72.0	0.186	4	

**3OH STORAGE 1600 mm WIDE**

	1600	432	1129	<b>IA3508</b>	290,-	73.0	0.176	3	
--	------	-----	------	---------------	-------	------	-------	---	--

**ADDITIONAL CHARGE**

FEATURE	PRODUCT												COMMENTS
	IA3506	IA3106	IA3508							kg	m3	pcs	
II PRICE GROUP	40,-	40,-	40,-							0.0	0.0000	0	
ANGLE HINGE 170°		20,-								1.0	0.0010	1	
METAL KICK PLATE	50,-	50,-	55,-							0.0	0.0000	0	

DESCRIPTION

- NET WEIGHT

VOLUME

NUMBER OF PACKAGES

PRODUCT ILLUSTRATION	DIMENSIONS [mm]			INDEX SYMBOL	PRICE EUR				COMMENTS
	WIDTH	DEPTH	HEIGHT			kg	m3	pcs	

**2OH STORAGEES**

	402	432	777	<b>IA2902</b>	90,-	19.0	0.048	3	
	402	432	777	<b>IA26P2</b>	210,-	22.0	0.056	3	right door
	801	432	740	<b>IA25B4</b>	110,-	29.0	0.086	3	
	801	432	740	<b>IA21B4</b>	220,-	35.5	0.105	4	
	801	432	777	<b>IA2504</b>	110,-	30.0	0.086	3	
	801	432	777	<b>IA2104</b>	220,-	37.0	0.105	4	
	1200	432	777	<b>IA2506</b>	180,-	46.0	0.126	3	
	1600	432	777	<b>IA2508</b>	240,-	55.0	0.147	3	

**ADDITIONAL CHARGE**

FEATURE	PRODUCT											COMMENTS
	IA2902	IA26P2	IA25B4	IA21B4	IA2504	IA2104	IA2506	IA2508	kg	m3	pcs	
II PRICE GROUP	35,-	35,-	35,-	35,-	35,-	35,-	35,-	35,-	0.0	0.0000	0	
ANGLE HINGE 170°		20,-		20,-		20,-			1.0	0.0010	1	
METAL KICK PLATE	40,-	40,-	40,-	40,-	40,-	40,-	50,-	55,-	0.0	0.0000	0	

DESCRIPTION

- NET WEIGHT

VOLUME

NUMBER OF PACKAGES



PRODUCT ILLUSTRATION	DIMENSIONS [mm]			INDEX SYMBOL	PRICE EUR				COMMENTS
	WIDTH	DEPTH	HEIGHT			kg	m3	pcs	

**2 OH STACK-ON STORAGES**

	402	432	750	<b>IA1902</b>	90,-	18.0	0.041	2	
	402	432	750	<b>IA16P2</b>	160,-	21.0	0.048	2	right door
	801	432	750	<b>IA1504</b>	110,-	23.0	0.052	2	
	801	432	750	<b>IA1104</b>	220,-	30.0	0.072	3	

**ADDITIONAL CHARGE**

FEATURE	PRODUCT											COMMENTS
	IA1902	IA16P2	IA1504	IA1104					kg	m3	pcs	
II PRICE GROUP	35,-	35,-	35,-	35,-					0.0	0.0000	0	
ANGLE HINGE 170°		20,-		20,-					1.0	0.0010	1	

DESCRIPTION

- NET WEIGHT

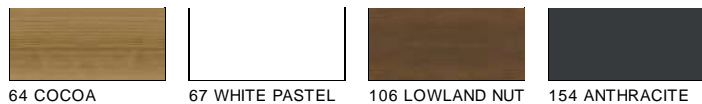
VOLUME

NUMBER OF PACKAGES

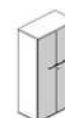
TECHNICAL SPECIFICATION

COLOURS

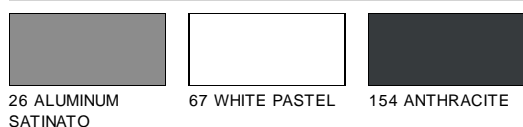
TOP, BOTTOM



FRONT



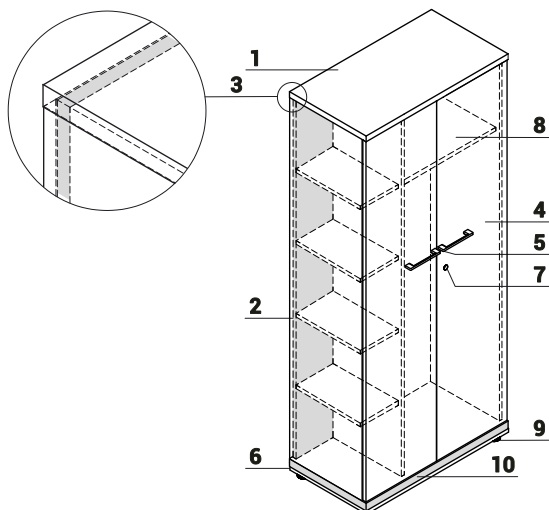
BODY - FIRST GROUP



BODY - SECOND GROUP



WARDROBES

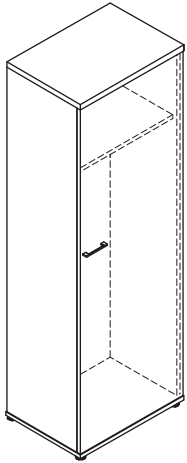


- 1. Top - MFC 28mm, PVC edge
- 2. Side panels - MFC 18mm, PVC edge
- 3. Back MFC - 18mm, PVC edges
- 4. Front - MFC 18 mm, PVC edges, plain hinge 110°
- 5. Aluminum handle
- 6. Base - MFC 18mm, PVC edge
- 7. Espagnolet lock
- 8. Shelf - MFC 18mm, PVC edge
- 9. Leveling feet 27mm - range 12mm
- 10. Option with additional charge - metal base - colour: M009 - aluminum semi-matte

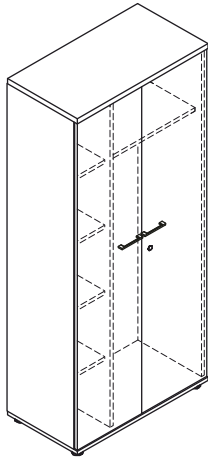
TECHNICAL SPECIFICATION

WARDROBES

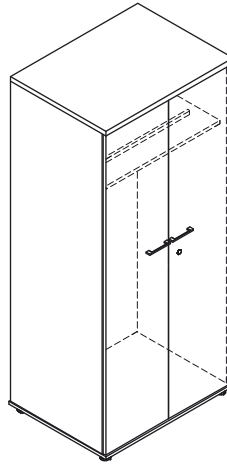
IA57P3\*\*



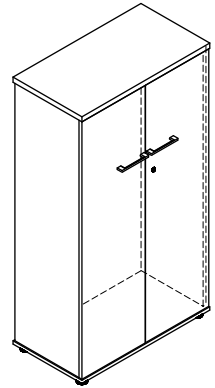
IA52P4\*



IA6204\*



IA4204\*\*



\* Coat rod \*\* Slide-out hanger

PRODUCT ILLUSTRATION	DIMENSIONS [mm]			INDEX SYMBOL	PRICE EUR				COMMENTS
	WIDTH	DEPTH	HEIGHT			kg	m3	pcs	

**WARDROBES**

	602	432	1833	<b>IA57P3</b>	380,-	54.0	0.146	3	wardrobe with slide out hanger, right door, espagnolette lock
	801	600	1833	<b>IA6204</b>	390,-	72.0	0.191	3	wardrobe with coat rod, espagnolette lock
	801	432	1833	<b>IA52P4</b>	410,-	76.0	0.215	3	wardrobe/storage cabinet with slide out hanger, espagnolette lock
	802	432	1481	<b>IA4204</b>	320,-	52.0	0.137	4	wardrobe with slide out hanger, 4 OH; espagnolette lock

**2 OH STACK-ON STORAGEES**

	602	432	750	<b>IA16P3</b>	200,-	27.0	0.067	2	
--	-----	-----	-----	---------------	-------	------	-------	---	--

**ADDITIONAL CHARGE**

FEATURE	PRODUCT									COMMENTS
	IA57P3	IA6204	IA52P4	IA4204	IA16P3		kg	m3	pcs	
II PRICE GROUP	50,-	50,-	50,-	45,-	35,-		0.0	0.0000	0	
ANGLE HINGE 170°	20,-	25,-	25,-	25,-	20,-		1.0	0.0010	1	
METAL KICK PLATE	40,-	40,-	40,-	40,-			0.0	0.0000	0	

DESCRIPTION

- NET WEIGHT

VOLUME

NUMBER OF PACKAGES



TECHNICAL SPECIFICATION

COLOURS

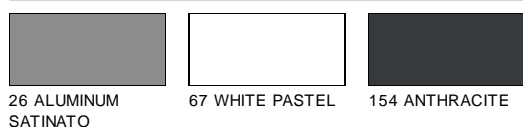
TOP, BOTTOM



FRONT



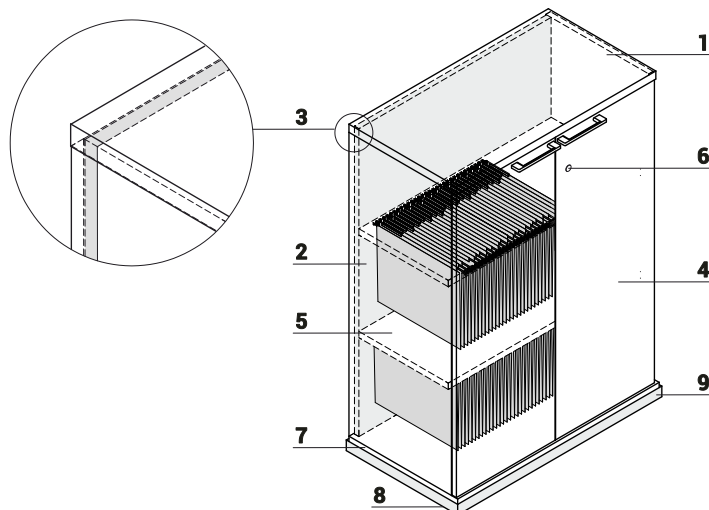
BODY - FIRST GROUP



BODY - SECOND GROUP



STORAGES AND FILING CABINETS WITH METAL SHELVES



1. Top - MFC 28mm, PVC edge
2. Side panels - MFC 18mm, PVC edge
3. Back MFC - 18mm, PVC edges
4. Front - MFC 18 mm, PVC edges, plain hinge 110°
5. Metal shelf with possibility of using suspension files - max load 41kg, colour: M009 - aluminum semi-matte
6. Espagnolet lock
7. Base - MFC 18mm, PVC edge
8. Leveling feet 27mm - range 12mm
9. Option with additional charge - metal base - colour: M009 - aluminum semi-matte

PRODUCT ILLUSTRATION	DIMENSIONS [mm]			INDEX SYMBOL	PRICE EUR				COMMENTS
	WIDTH	DEPTH	HEIGHT			kg	m3	pcs	

**STORAGES AND FILING CABINETS WITH METAL SHELVES**

	801	432	1129	IA3504TM	210,-	38.0	0.106	3	number of shelves - 2pcs
	801	432	1129	IA3104TM	330,-	49.0	0.136	4	number of shelves - 2pcs
	1000	432	1129	IA3505TM	320,-	42.0	0.118	3	number of shelves - 2pcs
	1000	432	1129	IA3105TM	430,-	55.0	0.156	4	number of shelves - 2pcs
	1200	432	1129	IA3506TM	380,-	49.0	0.149	3	number of shelves - 2pcs
	1200	432	1129	IA3106TM	500,-	64.0	0.194	4	number of shelves - 2pcs
	801	432	1833	IA5504TM	310,-	57.0	0.182	3	number of shelves - 4pcs
	801	432	1833	IA5104TM	470,-	74.0	0.230	4	number of shelves - 4pcs
	1000	432	1833	IA5505TM	500,-	62.0	0.177	3	number of shelves - 4pcs

**ADDITIONAL CHARGE**

FEATURE	PRODUCT												COMMENTS
	IA3504TM	IA3104TM	IA3505TM	IA3105TM	IA3506TM	IA3106TM	IA5504TM	IA5104TM	IA5505TM	kg	m3	pcs	
II PRICE GROUP	40,-	40,-	40,-	40,-	40,-	40,-	50,-	50,-	50,-	0.0	0.0000	0	
ANGLE HINGE 170°		20,-		20,-		20,-		25,-		1.0	0.0010	1	
METAL KICK PLATE	40,-	40,-	45,-	45,-	50,-	50,-	40,-	40,-	45,-	0.0	0.0000	0	

DESCRIPTION

- NET WEIGHT

VOLUME

NUMBER OF PACKAGES

PRODUCT ILLUSTRATION	DIMENSIONS [mm]			INDEX SYMBOL	PRICE EUR				COMMENTS
	WIDTH	DEPTH	HEIGHT			kg	m3	pcs	

**STORAGES AND FILING CABINETS WITH METAL SHELVES**

	1000	432	1833	<b>IA5105TM</b>	640,-	83.0	0.236	4	number of shelves - 4pcs
	1200	432	1833	<b>IA5506TM</b>	530,-	69.0	0.240	3	number of shelves - 4pcs
	1200	432	1833	<b>IA5106TM</b>	680,-	94.0	0.311	4	number of shelves - 4pcs

**FILING DRAWERS CABINETS**

	801	432	1129	<b>IA3F04</b>	850,-	54.7	0.435	2	suspension file drawers without - open bottom
	1000	432	1129	<b>IA6F04</b>	1 020,-	90.0	0.546	2	suspension file drawers with bottom
	801	432	1833	<b>IA54B4</b>	900,-	76.1	0.699	2	suspension file drawers without - open bottom
	801	432	1833	<b>IA54C4</b>	1 090,-	72.5	0.699	2	suspension file drawers without - open bottom

**ADDITIONAL CHARGE**

FEATURE	PRODUCT											COMMENTS
	IA5105TM	IA5506TM	IA5106TM	IA3F04	IA6F04	IA54B4	IA54C4		kg	m3	pcs	
II PRICE GROUP	50,-	50,-	50,-	40,-	40,-	50,-	50,-		0.0	0.0000	0	
ANGLE HINGE 170°	25,-		25,-			25,-	25,-		1.0	0.0010	1	
METAL KICK PLATE	45,-	50,-	50,-	40,-	45,-	40,-	40,-		0.0	0.0000	0	

DESCRIPTION

- NET WEIGHT

VOLUME

NUMBER OF PACKAGES





TECHNICAL SPECIFICATION

COLOURS

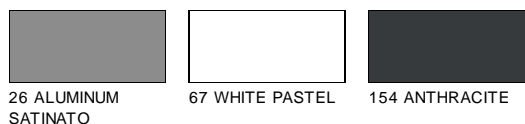
TOP, BOTTOM



FRONT



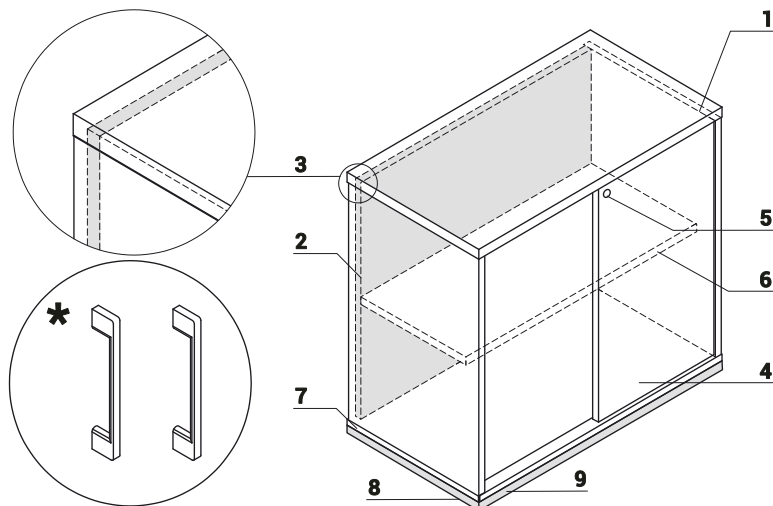
BODY - FIRST GROUP



BODY - SECOND GROUP



SLIDING DOOR STORAGES



1. Top - MFC 28mm, PVC edge
2. Side panels - MFC 18mm, PVC edge
3. Back MFC - 18mm, PVC edges
4. Sliding front - MFC 18mm, PVC edge
5. Patent lock
6. Shelf - MFC 18mm, PVC edge
7. Base - MFC 18mm, PVC edge
8. Leveling feet 27mm - range 12mm
9. Option with additional charge - metal base - colour: M009 - aluminum semi-matte

\* - Handle - aluminum, ordered separately

PRODUCT ILLUSTRATION	DIMENSIONS [mm]			INDEX SYMBOL	PRICE EUR				COMMENTS
	WIDTH	DEPTH	HEIGHT			kg	m3	pcs	

**SLIDING DOOR STORAGES**

	800	432	740	<b>IA2P04</b>	170,-	37.0	0.107	4	no handles
	1000	432	740	<b>IA2P05</b>	200,-	43.5	0.127	4	no handles
	1200	432	740	<b>IA2P06</b>	220,-	44.0	0.142	4	no handles
	1600	432	740	<b>IA2P08</b>	300,-	68.0	0.181	4	no handles
	1610	432	740	<b>IA2P16</b>	310,-	68.0	0.183	4	no handles
	800	432	1129	<b>IA3P04</b>	230,-	50.0	0.141	4	no handles
	1000	432	1129	<b>IA3P05</b>	260,-	64.0	0.165	4	no handles
	1200	432	1129	<b>IA3P06</b>	300,-	78.0	0.196	4	no handles
	1600	432	1129	<b>IA3P08</b>	410,-	93.0	0.259	4	no handles

**ADDITIONAL CHARGE**

FEATURE	PRODUCT												COMMENTS
	IA2P04	IA2P05	IA2P06	IA2P08	IA2P16	IA3P04	IA3P05	IA3P06	IA3P08	kg	m3	pcs	
II PRICE GROUP	35,-	35,-	35,-	35,-	35,-	40,-	40,-	40,-	40,-	0.0	0.0000	0	
SELF CLOSING SYSTEM	70,-	70,-	70,-	70,-	70,-	70,-	70,-	70,-	70,-	1.0	0.0010	1	
METAL KICK PLATE	40,-	45,-	50,-	55,-	60,-	40,-	45,-	50,-	55,-	0.0	0.0000	0	

DESCRIPTION

- NET WEIGHT

VOLUME

NUMBER OF PACKAGES

PRODUCT ILLUSTRATION	DIMENSIONS [mm]			INDEX SYMBOL	PRICE EUR				COMMENTS
	WIDTH	DEPTH	HEIGHT			kg	m3	pcs	

**SLIDING DOOR STORAGES**

	1610	432	1129	<b>IA3P16</b>	410,-	93.0	0.264	4	no handles
	800	432	1481	<b>IA4P04</b>	290,-	62.0	0.173	4	no handles
	1000	432	1481	<b>IA4P05</b>	330,-	80.0	0.201	4	no handles
	1200	432	1481	<b>IA4P06</b>	370,-	92.0	0.239	4	no handles
	800	432	1833	<b>IA5P04</b>	390,-	75.0	0.219	4	no handles
	1000	432	1833	<b>IA5P05</b>	450,-	95.0	0.237	4	no handles
	1200	432	1833	<b>IA5P06</b>	510,-	106.0	0.282	4	no handles

**TAMBOUR STACK-ON STORAGE**

	1200	432	750	<b>IA1P06</b>	230,-	52.0	0.124	3	Stack - on storage, no handles
--	------	-----	-----	---------------	-------	------	-------	---	--------------------------------

**HANDLES**

	160	110	20	<b>HPR2</b>	30,-	0.2	0.000	1	handles PRO (2 pcs)
--	-----	-----	----	-------------	------	-----	-------	---	---------------------

**ADDITIONAL CHARGE**

FEATURE	PRODUCT											COMMENTS
	IA3P16	IA4P04	IA4P05	IA4P06	IA5P04	IA5P05	IA5P06	IA1P06	kg	m3	pcs	
II PRICE GROUP	40,-	45,-	45,-	45,-	50,-	50,-	50,-	35,-	0.0	0.0000	0	
SELF CLOSING SYSTEM	70,-	70,-	70,-	70,-	70,-	70,-	70,-	70,-	1.0	0.0010	1	
METAL KICK PLATE	60,-	40,-	45,-	50,-	40,-	45,-	50,-	50,-	0.0	0.0000	0	

DESCRIPTION

- NET WEIGHT

VOLUME

NUMBER OF PACKAGES



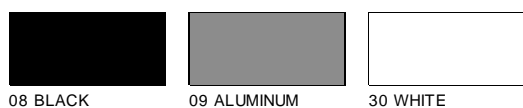
TECHNICAL SPECIFICATION

COLOURS

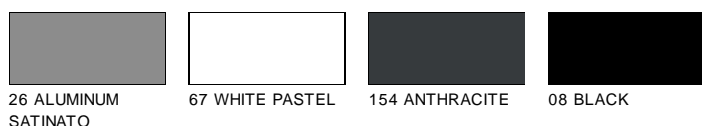
TOP, BOTTOM



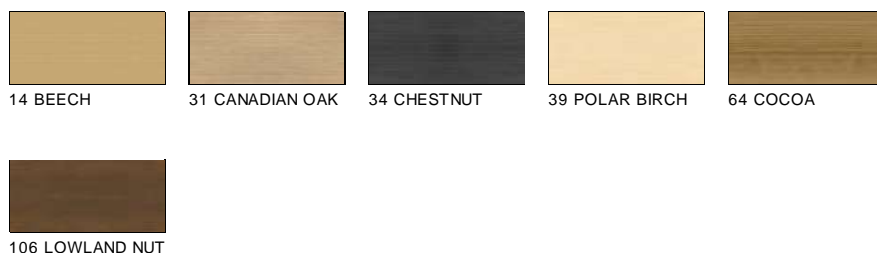
FRONT - TAMBOUR



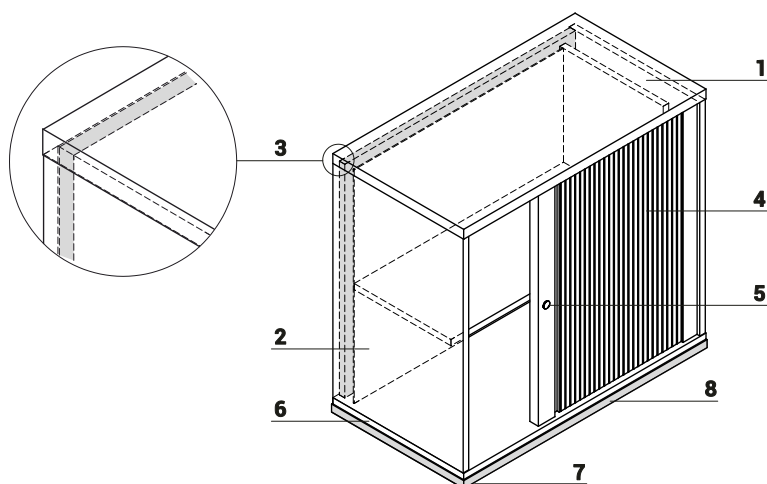
BODY - FIRST GROUP



BODY - SECOND GROUP



TAMBOUR STORAGES



1. Top - MFC 28mm, PVC edge
2. Side panels - MFC 18mm, PVC edge
3. Back MFC - 18mm, PVC edges
4. Front - tambour
5. Patent lock
6. Base - MFC 18mm, PVC edge
7. Leveling feet 27mm - range 12mm
8. Option with additional charge - metal base - colour: M009 - aluminum semi-matte

PRODUCT ILLUSTRATION	DIMENSIONS [mm]			INDEX SYMBOL	PRICE EUR				COMMENTS
	WIDTH	DEPTH	HEIGHT			kg	m3	pcs	

**TAMBOUR STORAGES**

	800	432	740	<b>IA2L04</b>	360,-	34.6	0.318	2	
	1000	432	740	<b>IA2L05</b>	400,-	46.0	0.410	2	
	1200	432	740	<b>IA2L06</b>	440,-	49.5	0.485	2	
	1600	432	740	<b>IA2L08</b>	580,-	60.0	0.645	2	
	1610	432	740	<b>IA2L16</b>	590,-	60.0	0.648	2	
	800	432	1129	<b>IA3L04</b>	480,-	58.0	0.467	2	
	1000	432	1129	<b>IA3L05</b>	540,-	61.0	0.581	2	
	1200	434	1129	<b>IA3L06</b>	590,-	67.4	0.695	2	
	1600	432	1129	<b>IA3L08</b>	790,-	81.0	0.923	2	

**ADDITIONAL CHARGE**

FEATURE	PRODUCT												COMMENTS
	IA2L04	IA2L05	IA2L06	IA2L08	IA2L16	IA3L04	IA3L05	IA3L06	IA3L08	kg	m3	pcs	
II PRICE GROUP	35,-	35,-	35,-	35,-	35,-	40,-	40,-	40,-	40,-	0.0	0.0000	0	
METAL KICK PLATE	40,-	45,-	50,-	55,-	60,-	40,-	45,-	50,-	55,-	0.0	0.0000	0	

DESCRIPTION

- NET WEIGHT

VOLUME

NUMBER OF PACKAGES

PRODUCT ILLUSTRATION	DIMENSIONS [mm]			INDEX SYMBOL	PRICE EUR				COMMENTS
	WIDTH	DEPTH	HEIGHT			kg	m3	pcs	

**TAMBOUR STORAGES**

	1610	432	1129	<b>IA3L16</b>	800,-	81.0	0.929	2	
	800	432	1481	<b>IA4L04</b>	600,-	44.0	0.605	2	
	1000	432	1481	<b>IA4L05</b>	640,-	73.0	0.732	3	
	1200	432	1481	<b>IA4L06</b>	670,-	81.0	0.875	3	

**ADDITIONAL CHARGE**

FEATURE	PRODUCT												COMMENTS
	IA3L16	IA4L04	IA4L05	IA4L06						kg	m3	pcs	
II PRICE GROUP	40,-	45,-	45,-	45,-						0.0	0.0000	0	
METAL KICK PLATE	60,-	40,-	45,-	55,-						0.0	0.0000	0	

DESCRIPTION

- NET WEIGHT

VOLUME

NUMBER OF PACKAGES

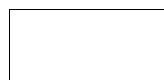




TECHNICAL SPECIFICATION

COLOURS

MOBILE PEDESTAL SLD



67 WHITE PASTEL



73 HIGH GLOSS WHITE



08 BLACK



101 HIGH GLOSS BLACK



26 ALUMINUM SATINATO



148 HIGH GLOSS GRAY



154 ANTHRACITE



155 ANTHRACITE HIGH GLOSS



CUSHION SKP13 - FABRIC NEMO



NE-1 BEIGE



NE-2 YELLOW



NE-3 ORANGE



NE-5 RED



NE-9 GREEN



NE-10 GREY



NE-14 DARK GREY



NE-15 NAVY BLUE



NE-16 BLACK



NE-17 BLUE

CUSHION SKP13 - FABRIC RUNNER - SECOND GROUP



R-63034 ORANGE



R-64089 RED



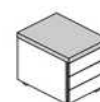
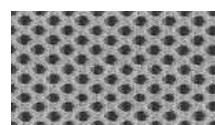
R-66063 BLUE



R-60011 GREY



R-68056 GREEN



R-66064 NAVY-BLUE



R-60999 BLACK



R-60025 DARK GREY



R-61128 BEIGE

CUSHION SKP13 - FABRIC MEDLEY - SECOND GROUP



M-68005 DARK OLIVE



M-68002 LIGHT OLIVE



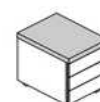
M-68115 GREEN



M-61002 BEIGE



M-67053 NAVY BLUE



M-67006 LIGHT BLUE



M-66008 GREY



M-64019 RED



M-63064 PINK



M-60999 BLACK

TECHNICAL SPECIFICATION

COLOURS

CUSHION SKP13 - FABRIC ATLANTIC - SECOND GROUP

A-67043 DARK TURQUOISE	A-67030 SEA-GREEN	A-60141 LIGHT GREY	A-60011 GREY	A-66064 NAVY BLUE		
A-65037 VIOLET	A-62048 OLIVE	A-64089 RED	A-61078 BEIGE	A-60025 GRAPHITE		

CUSHION SKP13 - FABRIC BLAZER - THIRD PRICE GROUP

CUZ39 ORANGE	CUZ63 RED	CUZ1L GREEN	CUZ12 GRAPHITE	CUZ02 TURQUOISE			
CUZ1V BLUE	CUZ1X PINK	CUZ1G GREY	CUZ28 LIGHT GREY	CUZ47 BEIGE			
CUZ1R - SEA-GREEN							

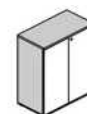
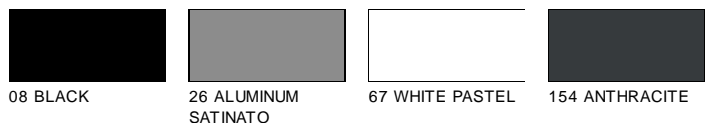
CUSHION SKP13 - FABRIC XTREME - THIRD PRICE GROUP

XR160 SEA-GREEN	XR430 DARK TURQUOISE	XR026 NAVY BLUE	XR084 VIOLET	XR009 BLACK		
XR420 OLIVE	XR081 DARK GREY	XR094 GREY	XR108 BEIGE	XR079 RED		

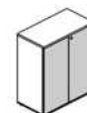
TECHNICAL SPECIFICATION

COLOURS

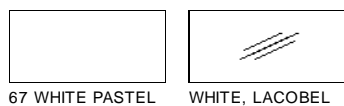
TOP, BOTTOM, BODY



FRONT HPL

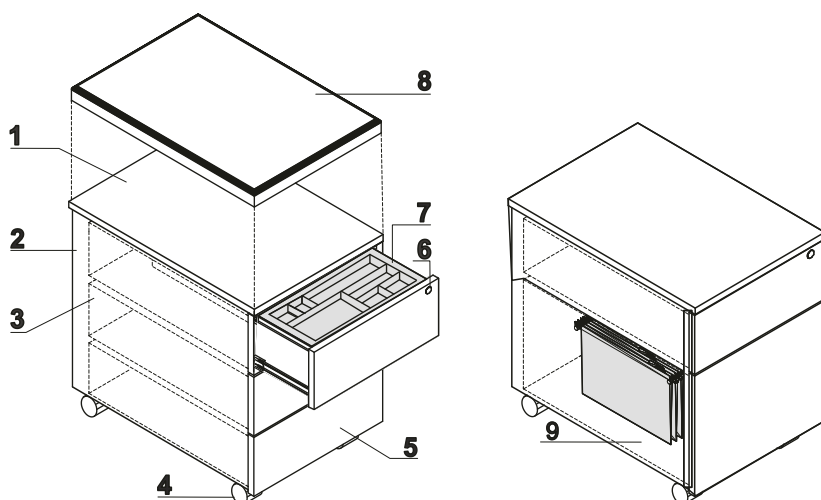


TOP - A80GT



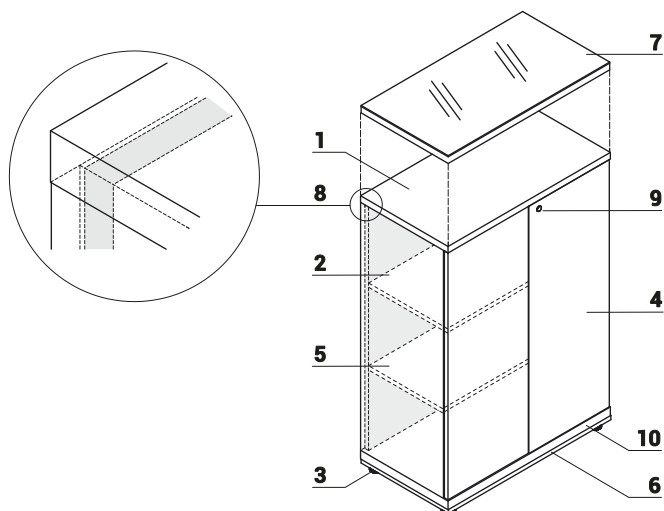
TECHNICAL SPECIFICATION

MOBILE PEDESTAL WITHOUT HANDLES



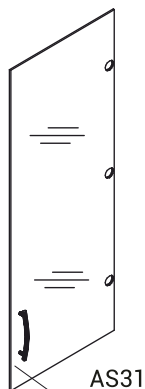
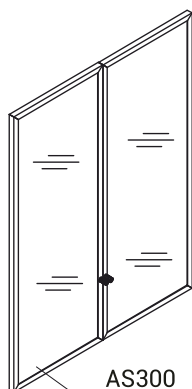
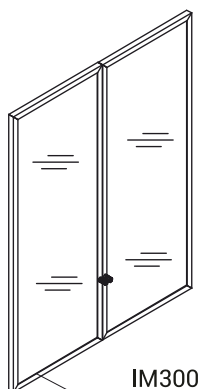
1. **Top** - MFC 18mm, covered with high gloss HPL
2. **Body** - MFC 18mm, PVC edge
3. **Metal drawer** - roll runners, max load 25kg, 80% extraction; Anti - tilt mechanism; OPTIONAL: ball runners, soft closing
4. **Castors** - Ø50mm, two with brakes
5. **Front** - HPL 18mm - high gloss, PVC edge
6. **Central lock** - foldable key
7. **Pencil tray** - black plastic
8. **Cushion SKP13** - for pedstal, order separately, max load 120kg
9. **Suspension files drawer** - ball runners, max load 30kg, 100% extraction, A4 folders must be inserted parallelly to the front

HPL FRONT STORAGES



1. **Top** - MFC 28mm, PVC edge
2. **Side panels** - MFC 18mm, PVC edge
3. **Leveling feet 27mm** - range 12mm
4. **Front** - 'Push - to- Open', covered with HPL - high gloss
5. **Shelf** - MFC 18mm, PVC edge
6. **Base** - MFC 18mm, PVC edge
7. **Top** - MFC 28mm with LACKOBEL glass 4mm - ordered separately
8. **Back MFC** - 18mm, PVC edges
9. **Patent lock**
10. **Option with additional charge** - metal base - colour: M009 - aluminum semi-matte

ADDITIONAL ELEMENTS FOR STORAGE



**IM300**

- glass door 30H
- transparent tempered glass 4mm, with aluminum frame

**AS300**

- glass door 30H
- frosted tempered glass 4mm, with aluminum frame

**AS31**

- glass door 30H
- transparent tempered glass 4mm
- universal (left,right)

PRODUCT ILLUSTRATION	DIMENSIONS [mm]			INDEX SYMBOL	PRICE EUR				COMMENTS
	WIDTH	DEPTH	HEIGHT			kg	m3	pcs	

**MOBILE PEDESTAL WITHOUT HANDLES WITH HPL TOP AND FRONT**

	416	600	587	<b>SLD12HT</b>	400,-	23.0	0.158	1	mobile with suspension files drawer, drawers depth - 500mm
	416	600	587	<b>SLD13HT</b>	380,-	23.0	0.158	1	drawers depth - 500mm

**PEDESTAL CUSHION**

	400	600	52	<b>SKP13</b>	70,-	3.0	0.017	1	
--	-----	-----	----	--------------	------	-----	-------	---	--

**ADDITIONAL CHARGE**

FEATURE	PRODUCT											COMMENTS
	SLD12HT	SLD13HT	SKP13						kg	m3	pcs	
II PRICE GROUP			10,-						0.9	0.0070	1	
III PRICE GROUP			26,-						0.0	0.0000	0	
SELF CLOSING SYSTEM	28,-	28,-							1.0	0.0010	1	
BALL RUNNERS	10,-	30,-							1.0	0.0010	1	

DESCRIPTION

- NET WEIGHT

VOLUME

NUMBER OF PACKAGES

PRODUCT ILLUSTRATION	DIMENSIONS [mm]			INDEX SYMBOL	PRICE EUR				COMMENTS
	WIDTH	DEPTH	HEIGHT			kg	m3	pcs	

HPL FRONT STORAGES

	801	432	777	A2104HZ	320,-	35.0	0.093	3	
	801	432	1129	A3404HZ	330,-	40.0	0.111	3	
	801	432	1129	A3104HZ	380,-	44.0	0.120	3	
	801	432	1833	A5404HZ	410,-	65.0	0.189	3	
	801	432	1833	A5104HZ	570,-	75.0	0.216	3	
	801	432	1833	A52P4H	640,-	0.0	0.001	0	wardrobe/storage cabinet with slide-out hanger

ADDITIONAL ELEMENTS

	800	432	33	A800GT	110,-	8.0	0.017	1	glass + mfc
	397	5	1050	AS31	80,-	6.5	0.034	1	universal glass door (1pcs) 3OH, transparent tempered glass
	800	20	1050	AS300	230,-	10.3	0.037	1	glass doors (2pcs) 3OH aluminum frame, frosted tempered glass
	800	20	1050	IM300	210,-	10.0	0.039	1	glass doors (2pcs) 3OH aluminum frame, transparent tempered glass

ADDITIONAL CHARGE

FEATURE	PRODUCT										COMMENTS
	A2104HZ	A3404HZ	A3104HZ	A5404HZ	A5104HZ	A52P4H	kg	m3	pcs		
METAL KICK PLATE	40,-	40,-	40,-	40,-	40,-	40,-	0.0	0.0000	0		

DESCRIPTION

- NET WEIGHT

VOLUME

NUMBER OF PACKAGES

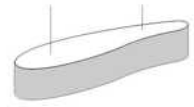
TECHNICAL SPECIFICATION

COLOURS

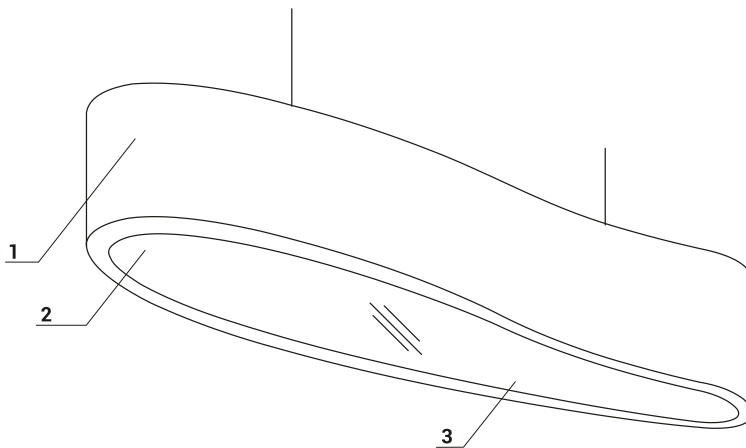
ELLIPSE



HIGH GLOSS  
WHITE



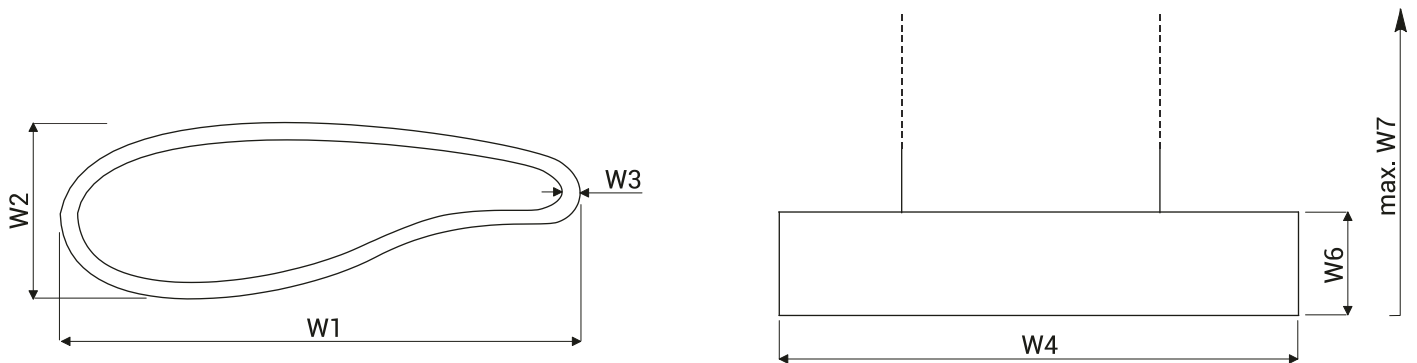
TECHNICAL SPECIFICATION



- 1. **External material** -polyester, colour : white
- 2. **Light** - Power 230V,  
Light source 4x E27 - no bulb attached
- 3. **Internal material** - plexiglass, white colour

ATTENTION - Installation by licenced electrician recommended.

DIMENSIONS



W1 - 1500mm | W2 - 590mm | W3 - 50mm | W4 - 1500mm | W6 - 300mm | W7 - 1800mm



# ELLIPSE LAMP

PRODUCT ILLUSTRATION	DIMENSIONS [mm]			INDEX SYMBOL	PRICE EUR					COMMENTS
	WIDTH	DEPTH	HEIGHT			kg	m3	pcs		
<b>LAMP</b>										
	1500	590	300	<b>SSL15</b>	1 200,-	16.0	0.266	1		

DESCRIPTION

- NET WEIGHT

VOLUME

NUMBER OF PACKAGES

TECHNICAL SPECIFICATION

COLOURS

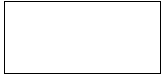
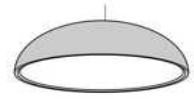
SUNBEAM



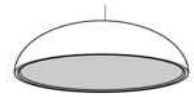
HIGH GLOSS  
WHITE



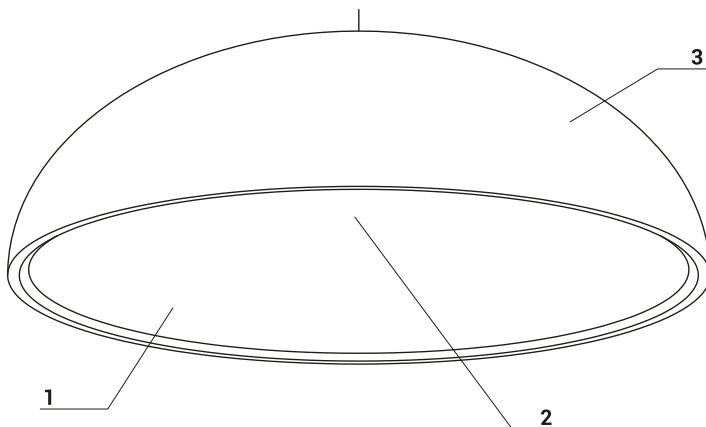
HIGH GLOSS  
BLACK



WHITE



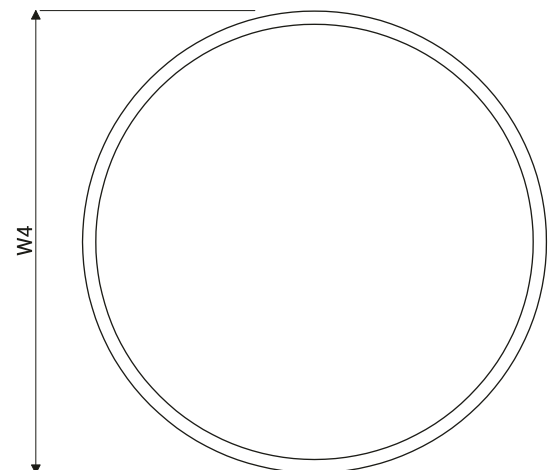
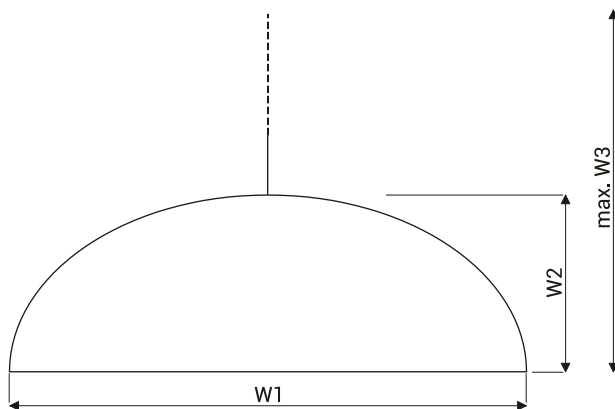
TECHNICAL SPECIFICATION



1. **Internal material** - plexiglass, white colour
2. **Light** - Power 230V,  
Light source 1x E27 - no bulb attached
3. **External material** -polyester,  
colour: white or black




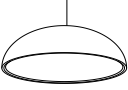
ATTENTION - Installation by licenced electrician recommended.

DIMENSIONS




W1 - 1440mm | W2 - 410mm | W3 - 1900mm | W4 - 1440mm

# SUNBEAM LAMP

PRODUCT ILLUSTRATION	DIMENSIONS [mm]			INDEX SYMBOL	PRICE EUR				COMMENTS
	WIDTH	DEPTH	HEIGHT			kg	m3	pcs	
<b>LAMP</b>									
	1440	1440	410	<b>SNL16</b>	1 650,-	12.0	0.850	1	

DESCRIPTION

 - NET WEIGHT

 VOLUME

 NUMBER OF PACKAGES

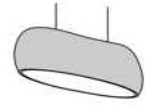
TECHNICAL SPECIFICATION

COLOURS

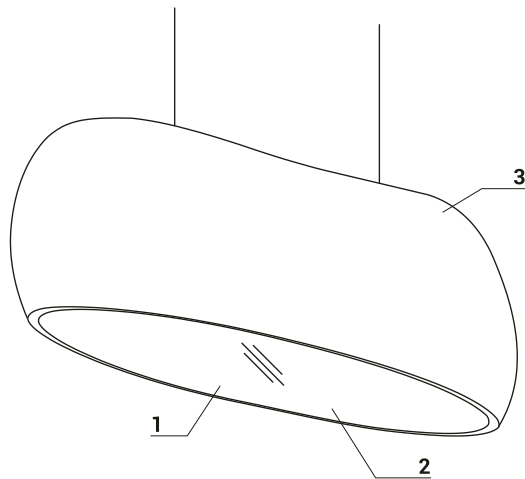
CANOE



HIGH GLOSS  
WHITE



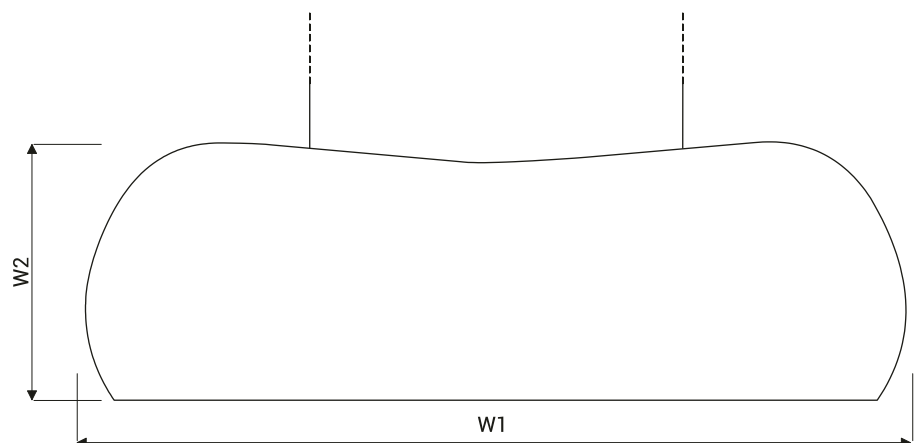
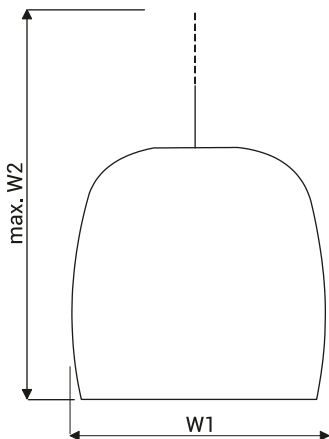
TECHNICAL SPECIFICATION



- 1. **Internal material** - plexiglass, white colour
- 2. **Light** - Power 230V,  
Light source 2x E27 - no bulb attached
- 3. **External material** -polyester, colour : white




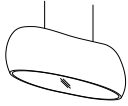
ATTENTION - Installation by licenced electrician recommended.

DIMENSIONS




W1 - 360mm | W2 - 1850mm | W3 - 360mm | W4 - 1105mm


# CANOE LAMP

PRODUCT ILLUSTRATION	DIMENSIONS [mm]			INDEX SYMBOL	PRICE EUR				COMMENTS
	WIDTH	DEPTH	HEIGHT			kg	m3	pcs	
<b>LAMP</b>									
	1105	360	360	<b>CAN11</b>	1 100,-	12.0	0.169	1	

DESCRIPTION

 - NET WEIGHT

 VOLUME

 NUMBER OF PACKAGES

TECHNICAL SPECIFICATION

COLOURS

SNAKE



HIGH GLOSS  
WHITE



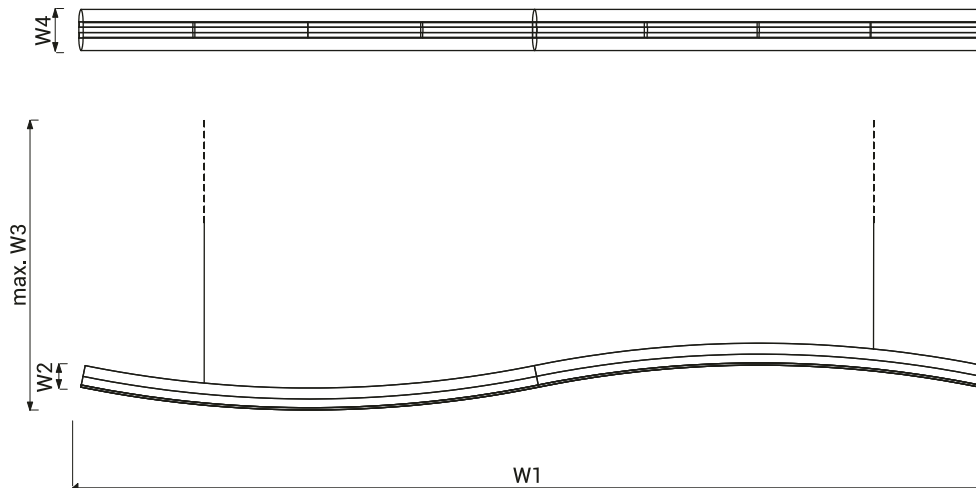
TECHNICAL SPECIFICATION

1. **External material** -polyester, colour : white
2. **Lightning** - Power 110 / 230V,  
Light source - LED stripe,  
Luminous flux ~7260lm,  
Light colour - warm white 3000K






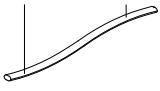
ATTENTION - Installation by licenced electrician recommended.

DIMENSIONS




W1 - 2000mm | W2 - 50mm | W3 - 1550mm | W4 - 92mm


# SNAKE LAMP

PRODUCT ILLUSTRATION	DIMENSIONS [mm]			INDEX SYMBOL	PRICE EUR				COMMENTS
	WIDTH	DEPTH	HEIGHT			kg	m3	pcs	
<b>LAMP</b>									
	2000	90	150	<b>SNA20</b>	760,-	5.0	0.038	1	

DESCRIPTION

 - NET WEIGHT

 VOLUME

 NUMBER OF PACKAGES

TECHNICAL SPECIFICATION

COLOURS

HANGER - WS02, WS03



67 WHITE PASTEL



HANGER - WS04



M115 BLACK  
SEMI-MATTE



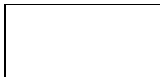
M015 WHITE  
SEMI-MATTE



HANGER - WS05



M115 BLACK  
SEMI-MATTE



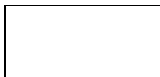
M015 WHITE  
SEMI-MATTE



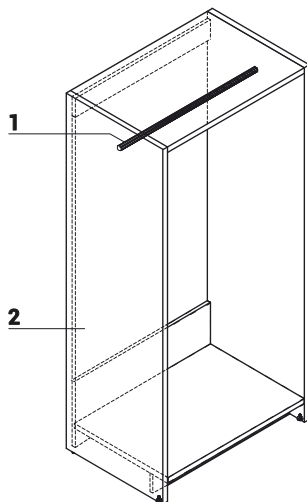
HANGER - WS06, WS07



M115 BLACK  
SEMI-MATTE



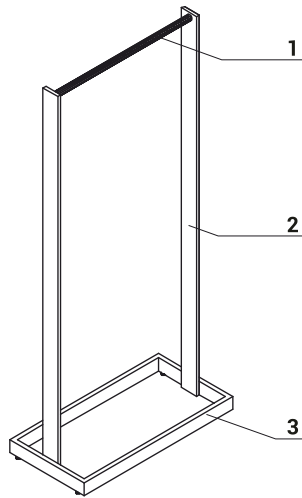
M015



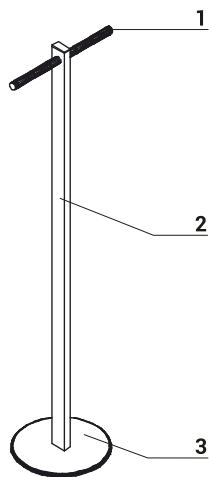
- 1. Coat rod - polished steel
- 2. Body - MFC 28mm, PVC edge



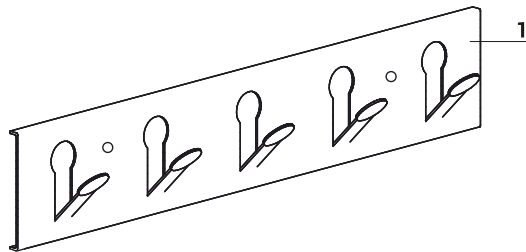
TECHNICAL SPECIFICATION



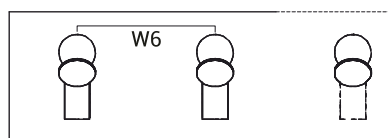
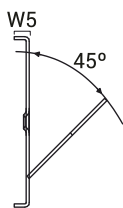
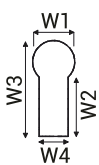
- 1. Coat rod - polished steel
- 2. Column - powder coated steel, profile 80x15mm
- 3. Base frame - powder coated steel, profile 60x20mm



- 1. Coat rod - polished steel
- 2. Column - powder coated steel, profile 30x60mm
- 3. Base frame - powder coated steel 336mm



- 1. Powder coated steel



W1 - 32mm | W2 - 45mm | W3 - 72mm | W4 - 22mm | W5 - 10mm | W6 - 120mm

PRODUCT ILLUSTRATION	DIMENSIONS [mm]			INDEX SYMBOL	PRICE EUR					COMMENTS
	WIDTH	DEPTH	HEIGHT			kg	m3	pcs		

## HANGERS

	600	600	1900	<b>WS02</b>	190,-	58.0	0.083	1		
	900	600	1900	<b>WS03</b>	210,-	65.0	0.158	1		
	800	400	1760	<b>WS04</b>	180,-	17.0	0.036	2		
	480		1700	<b>WS05</b>	150,-	10.0	0.019	2		
	600	60	112	<b>WS06</b>	25,-	2.0	0.004	1		
	1200	60	112	<b>WS07</b>	30,-	3.0	0.009	1		

DESCRIPTION

- NET WEIGHT

VOLUME

NUMBER OF PACKAGES





OFFICE FURNITURE FACTORY  
[www.mdd.eu](http://www.mdd.eu)



Please scan QR code to download price list in EUR