

TECHNICAL SPECIFICATION

COLOURS

DESKS / CONFERENCE TABLE - WORKTOP



08 BLACK



31 CANADIAN OAK



34 CHESTNUT



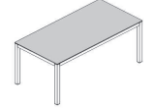
67 WHITE PASTEL



116 BLACK



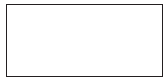
117 WHITE



DESKS / CONFERENCE TABLE - FRAME



08 BLACK



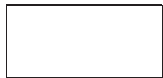
15 HIGH GLOSS
WHITE



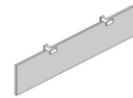
MODESTY PANELS



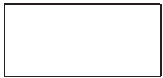
08 BLACK



67 WHITE PASTEL



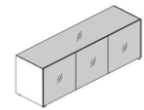
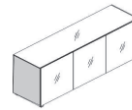
CABINET



67 WHITE PASTEL



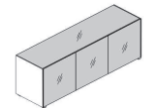
117 WHITE



08 BLACK



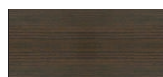
116 BLACK



08 BLACK



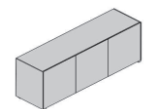
31 CANADIAN OAK



34 CHESTNUT



67 WHITE PASTEL



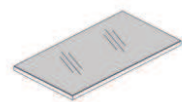
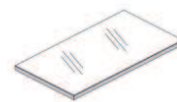
TOP - A800GT



67 WHITE PASTEL



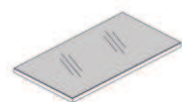
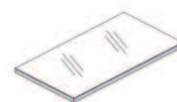
WHITE, LACOBEL



08 BLACK



BLACK, LACOBEL



TECHNICAL SPECIFICATION

COLOURS

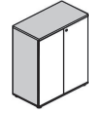
CABINETS - TOP, BOTTOM, BODY



08 BLACK



67 WHITE PASTEL



CABINETS - FRONT HPL



73 HIGH GLOSS WHITE



74 HIGH GLOSS ORANGE



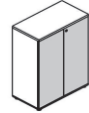
80 HIGH GLOSS LIME



81 HIGH GLOSS BURGUNDY



101 HIGH GLOSS BLACK



102 HIGH GLOSS YELLOW



108 BLUE HIGH GLOSS



127 HIGH GLOSS FUCHSIA

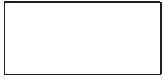


148 HIGH GLOSS GRAY

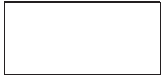


155 ANTHRACITE HIGH GLOSS

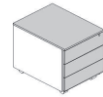
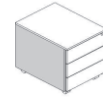
MOBILE PEDESTAL SLD



67 WHITE PASTEL



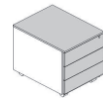
73 HIGH GLOSS WHITE



08 BLACK



101 HIGH GLOSS BLACK



CUSHION SKP13 - FABRIC NEMO



NE-1 BEIGE



NE-2 YELLOW



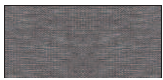
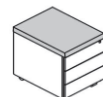
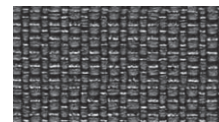
NE-3 ORANGE



NE-5 RED



NE-9 GREEN



NE-10 GREY



NE-14 DARK GREY



NE-15 NAVY BLUE



NE-16 BLACK



NE-17 BLUE

CUSHION SKP13 - FABRIC RUNNER - SECOND GROUP



R-63034 ORANGE



R-64089 RED



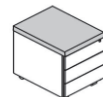
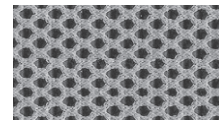
R-66063 BLUE



R-60011 GREY



R-68056 GREEN



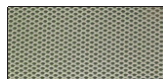
R-66064 NAVY-BLUE



R-60999 BLACK



R-60025 DARK GREY



R-61128 BEIGE

TECHNICAL SPECIFICATION

COLOURS

CUSHION SKP13 - FABRIC MEDLEY - SECOND GROUP

M-68005 DARK OLIVE	M-68002 LIGHT OLIVE	M-68115 GREEN	M-61002 BEIGE	M-67053 NAVY BLUE		
M-67006 LIGHT BLUE	M-66008 GREY	M-6419 RED	M-63064 PINK	M-60999 BLACK		

CUSHION SKP13 - FABRIC ATLANTIC - SECOND GROUP

A-67043 DARK TURQUOISE	A-67030 SEA-GREEN	A-6141 LIGHT GREY	A-611 GREY	A-66064 NAVY BLUE		
A-65037 VIOLET	A-62048 OLIVE	A-64089 RED	A-61078 BEIGE	A-625 GRAPHITE		

CUSHION SKP13 - FABRIC BLAZER - THIRD PRICE GROUP

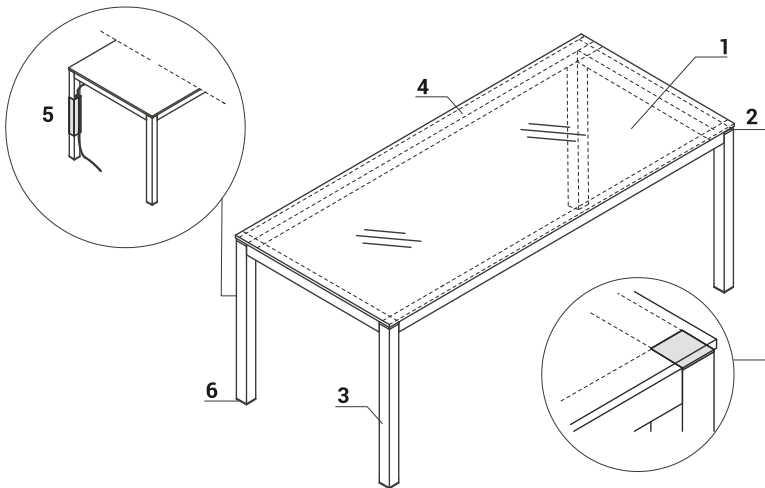
CUZ39 ORANGE	CUZ63 RED	CUZ1L GREEN	CUZ12 GRAPHITE	CUZ02 TURQUOISE			
CUZ1V BLUE	CUZ1X PINK	CUZ1G GREY	CUZ28 LIGHT GREY	CUZ47 BEIGE			
CUZ1R - SEA-GREEN							

CUSHION SKP13 - FABRIC XTREME - THIRD PRICE GROUP

XR160 SEA-GREEN	XR430 DARK TURQUOISE	XR026 NAVY BLUE	XR084 VIOLET	XR9 BLACK		
XR420 OLIVE	XR081 DARK GREY	XR094 GREY	XR108 BEIGE	XR079 RED		

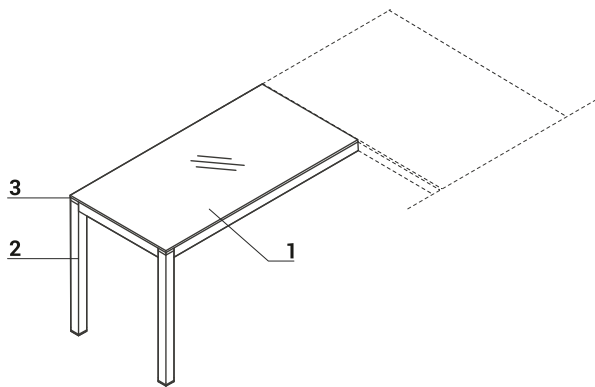
TECHNICAL SPECIFICATION

GLASS TOP DESKS



1. **Worktop** - tempered frosted glass, mat 10mm, white - ultra clear or black, painted on bottom side
2. Chrome decorative element
3. **Frame** - aluminum anodized, powder coated steel with chrome details 50x50mm
4. **Profile** - powder coated steel - clour 08 black
5. **Vertical cable organizer** - plexiglas, standard (1piece per desk IM10)
6. **Leveling** - 5mm range

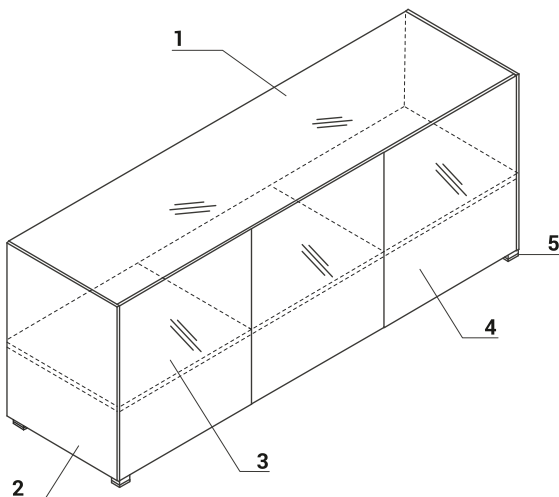
GLASS WORKTOP EXTENSION



1. **Worktop** - tempered frosted glass, mat 10mm, white - ultra clear or black, painted on bottom side
2. **Frame** - aluminum anodized, powder coated steel with chrome details 50x50mm
3. Chrome decorative element

ATTENTION - universal (left, right)

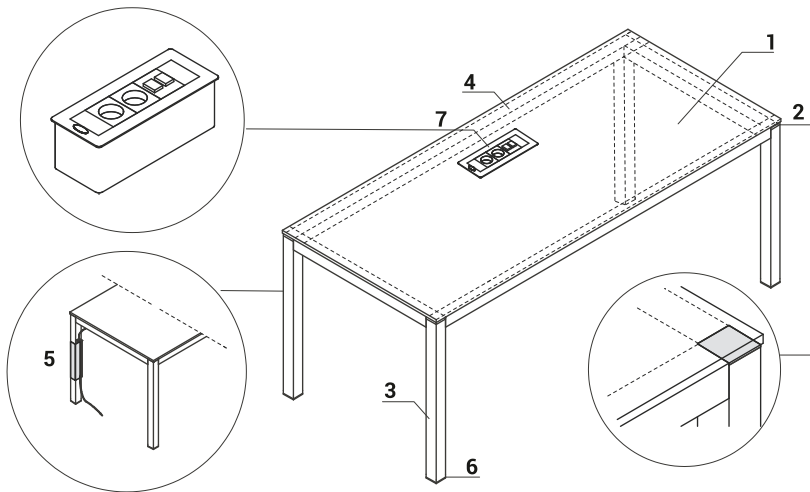
CREDENZA WITH GLASS



1. **Top** - temepered frosted glass - 10mm; painted on bottom
2. **Side panels** - MFC 18mm, PVC edge
3. **Shelf** - MFC 18mm, PVC edge
4. **Front** - 'Push - to -Open' - tempered frosted glass 4mm, painted on bottom side
5. **Leveling feet** - range 5mm

TECHNICAL SPECIFICATION

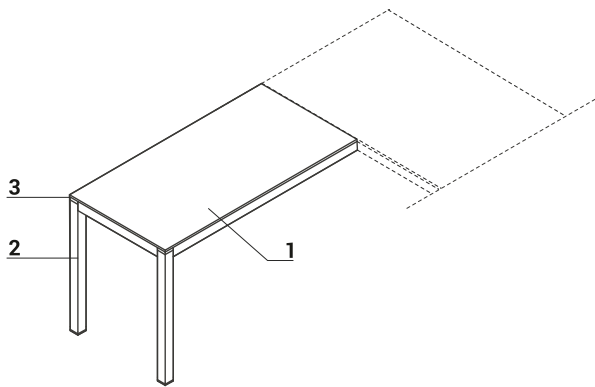
MFC TOP DESKS



- 1. **Worktop** - MFC 12mm, PVC edge
- 2. Chrome decorative element
- 3. **Frame** - aluminum anodized, powder coated steel with chrome details 50x50mm
- 4. **Profile** - powder coated steel - clour 08 black
- 5. **Vertical cable organizer** - plexiglas, standard (1piece per desk IM10)
- 6. **Leveling** - 5mm range
- 7. **Option with additional charge Mediaport S91E** - 2x 230V, 2x RJ45

ATTENTION - mediaport can be placed only at marked location

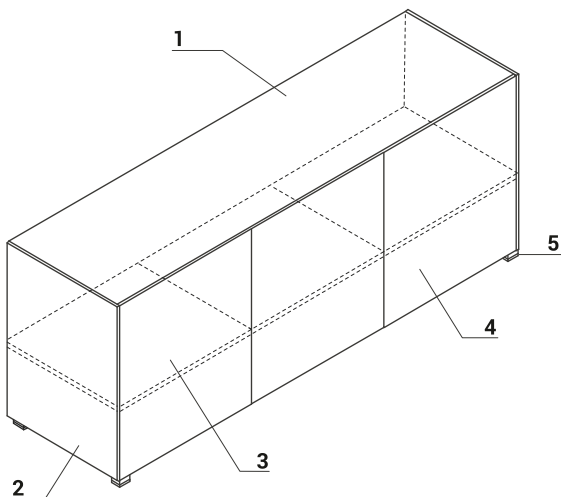
MFC WORKTOP EXTENSION



- 1. **Worktop** - MFC 12mm, PVC edge
- 2. **Frame** - aluminum anodized, powder coated steel with chrome details 50x50mm
- 3. Chrome decorative element

ATTENTION - universal (left, right)

CREDENZA

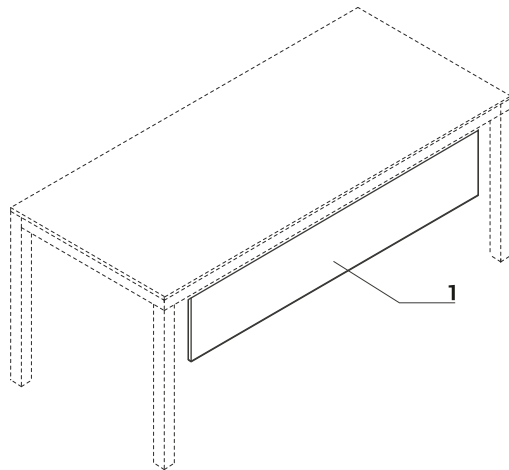


- 1. **Top** - MFC 12mm, PVC edge
- 2. **Side panels** - MFC 18mm, PVC edge
- 3. **Shelf** - MFC 18mm, PVC edge
- 4. **Front** - 'Push - to -Open', MFC 18mm, PVC edge
- 5. **Leveling feet** - range 5mm

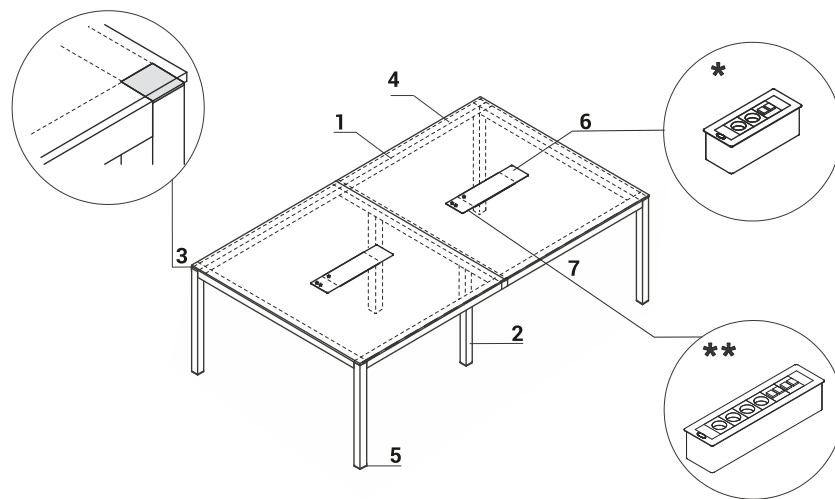
TECHNICAL SPECIFICATION

MFC MODESTY PANELS

- 1. Modesty panel - MFC 18mm, PVC edge



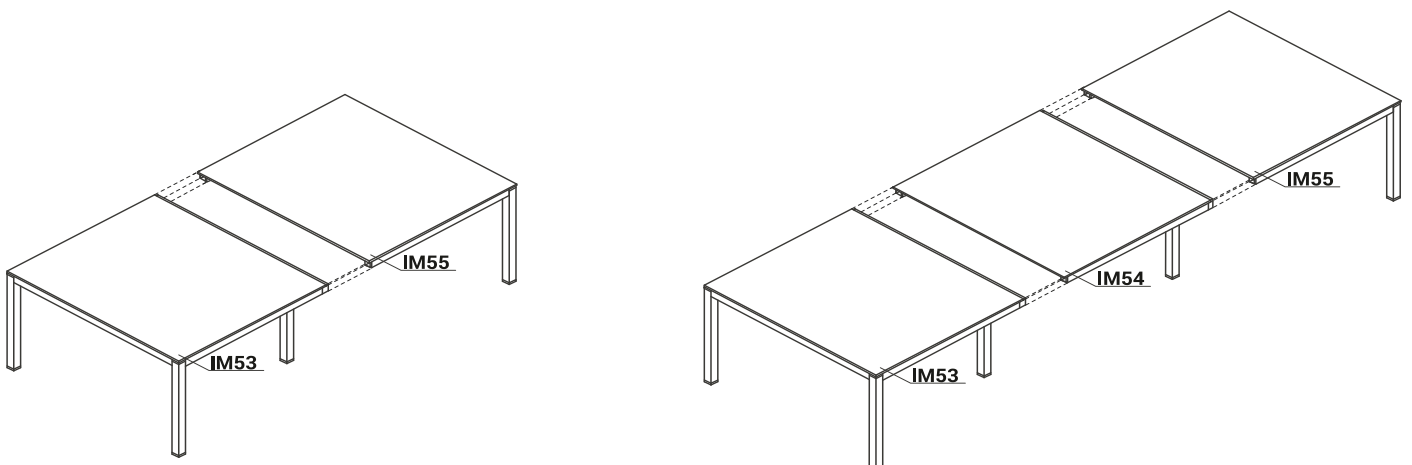
CONFERENCE TABLE



- 1. **Worktop** - MFC 12mm, PVC edge
- 2. **Frame** - aluminum anodized, powder coated steel with chrome details 50x50mm
- 3. Chrome decorative element
- 4. **Profile** - powder coated steel - clour 08 black
- 5. **Leveling** - 5mm range
- 6. **Option with additional charge Mediaport S91E** - 2x 230V, 2x RJ45
- 7. **Option with additional charge - Mediaport S92E** - 4x 230V, 4x RJ45

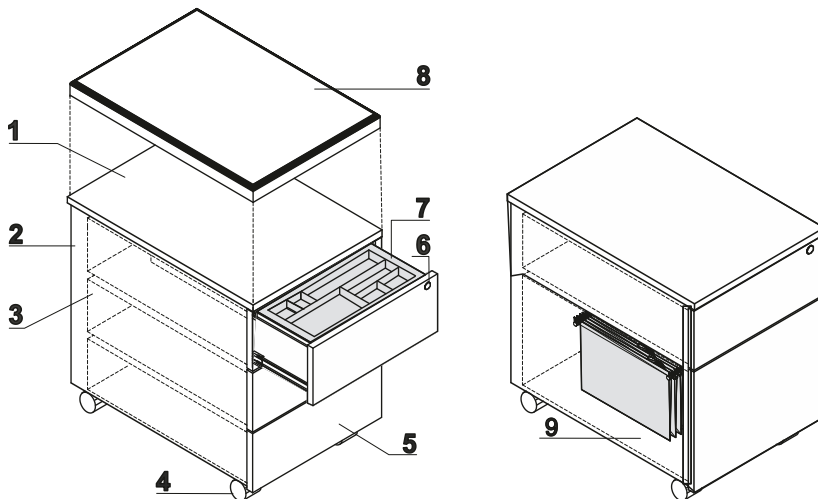
ATTENTION - mediaport can be placed only at marked location

POSSIBLE CONFIGURATIONS



IM53 - Beginning element | IM54 - middle element | IM55 - ending element

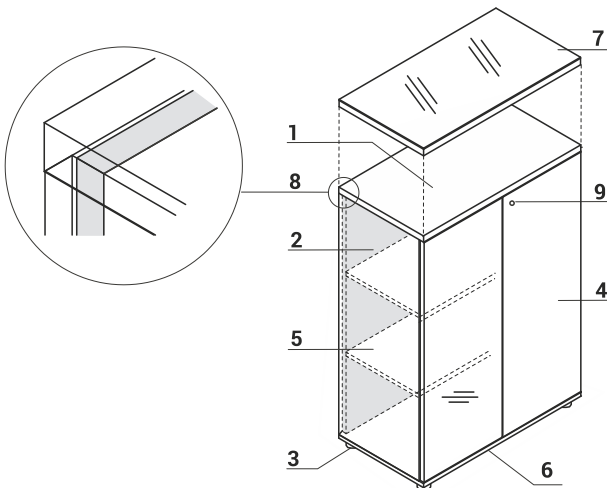
TECHNICAL SPECIFICATION
MOBILE PEDESTAL WITHOUT HANDLES



1. **Top** - MFC 18mm, covered with high gloss HPL
2. **Body** - MFC 18mm, PVC edge
3. **Metal drawer** - roll runners, max load 25kg, 80% extraction; Anti - tilt mechanism; OPTIONAL: ball runners, soft closing
4. **Castors** - Ø50mm, two with brakes
5. **Front** - HPL 18mm - high gloss, PVC edge
6. **Central lock** - foldable key
7. **Pencil tray** - black plastic
8. **Cushion SKP13** - for pedstal, order separately, max load 120kg
9. **Suspension files drawer** - ball runners, max load 30kg, 100% extraction, A4 folders must be inserted parallelly to the front

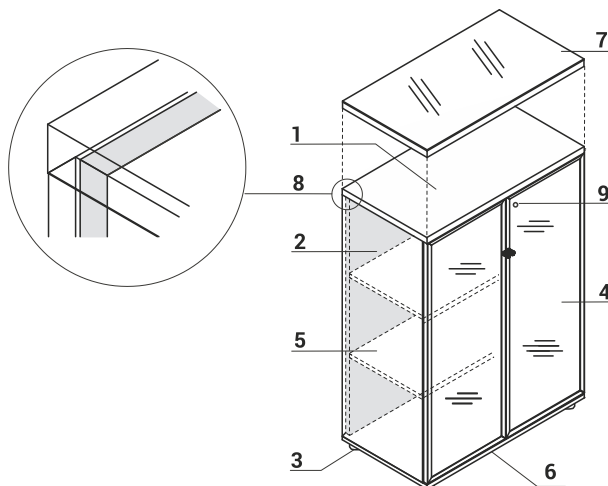
ATTENTION - no sitting on pedestals without castors support; to be ordered with cushion SKP13

HPL FRONT STORAGES



1. **Top** - MFC 28mm, PVC edge
2. **Side panels** - MFC 18mm, PVC edge
3. **Leveling feet 27mm** - range 12mm
4. **Front** - 'Push - to- Open', covered with HPL - high gloss
5. **Shelf** - MFC 18mm, PVC edge
6. **Base** - MFC 18mm, PVC edge
7. **Top** - MFC 28mm with LACKOBEL glass 4mm - ordered separately
8. **Back MFC** - 18mm, PVC edges
9. Patent lock

GLASS DOOR STORAGES



1. **Top** - MFC 28mm, PVC edge
2. **Side panels** - MFC 18mm, PVC edge
3. **Leveling feet 27mm** - range 12mm
4. **Front** - transparent tempered glass in aluminum frame
5. **Shelf** - MFC 18mm, PVC edge
6. **Base** - MFC 18mm, PVC edge
7. **Top** - MFC 28mm with LACKOBEL glass 4mm - ordered separately
8. **Back MFC** - 18mm, PVC edges
9. Aluminium handle

PRODUCT ILLUSTRATION	DIMENSIONS [mm]			INDEX SYMBOL						COMMENTS
	WIDTH	DEPTH	HEIGHT			kg	m3	pcs		

GLASS TOP DESKS

	1600	800	760	IM04S		71.5	0.117	2		
	1800	900	760	IM05S		87.0	0.139	2		
	2000	900	760	IM06S		97.0	0.152	2		

GLASS TOP DESK EXTENSION

	1200	600	760	IM07S		42.0	0.077	2		
--	------	-----	-----	-------	--	------	-------	---	--	--

GLASS TOP TABLES

	800	800	500	IM57S		39.0	0.068	2		
--	-----	-----	-----	-------	--	------	-------	---	--	--

ACCESSORIES

	77	58	350	IM10		0.5	0.006	1		vertical hitch, clear plexiglass
--	----	----	-----	------	--	-----	-------	---	--	----------------------------------

CREDENZA WITH GLASS

	2000	432	740	IM20S		105.0	0.150	2		
	1334	432	740	IM21S		59.0	0.122	2		

DESCRIPTION

- NET WEIGHT

VOLUME

NUMBER OF PACKAGES

PRODUCT ILLUSTRATION	DIMENSIONS [mm]			INDEX SYMBOL						COMMENTS
	WIDTH	DEPTH	HEIGHT			kg	m3	pcs		

MFC TOP DESKS

	1600	800	760	IM04		21.5	0.079	2		
	1800	900	760	IM05		26.0	0.092	2		
	2000	900	760	IM06		28.0	0.100	2		

MFC DESK EXTENSTIONS

	1200	600	760	IM07		13.0	0.053	2		
	800	600	760	IM08		9.5	0.034	2		

MFC TOP TABLES

	800	800	500	IM57		13.0	0.047	2		
--	-----	-----	-----	------	--	------	-------	---	--	--

CREDENZA

	2000	432	740	IM20		105.0	0.150	2		
	1334	432	740	IM21		59.0	0.122	2		

DESCRIPTION

- NET WEIGHT

VOLUME

NUMBER OF PACKAGES

PRODUCT ILLUSTRATION	DIMENSIONS [mm]			INDEX SYMBOL						COMMENTS
	WIDTH	DEPTH	HEIGHT			kg	m3	pcs		

MFC MODESTY PANELS

	1400	18	350	IM04B		8.0	0.021	2		for desk: 1600mm
	1600	18	350	IM05B		9.0	0.023	2		for desk: 1800mm
	1800	18	350	IM06B		10.0	0.026	2		for desk: 2000mm

MOBILE PEDESTAL WITHOUT HANDLES WITH HPL TOP AND FRONT

	416	600	587	SLD12HT		23.0	0.158	1		mobile with suspension files drawer, drawers depth – 500mm
	416	600	587	SLD13HT		23.0	0.158	1		drawers depth - 500mm

PEDESTAL CUSHION

	400	600	52	SKP13		3.0	0.017	1		
--	-----	-----	----	-------	--	-----	-------	---	--	--

DESCRIPTION

- NET WEIGHT

VOLUME

NUMBER OF PACKAGES

PRODUCT ILLUSTRATION	DIMENSIONS [mm]			INDEX SYMBOL						COMMENTS
	WIDTH	DEPTH	HEIGHT			kg	m3	pcs		

MODULAR TABLE

	1200	1400	760	IM53		26.5	0.091	2		starting element
	1200	1400	760	IM54		22.5	0.091	2		middle element
	1200	1400	760	IM55		21.0	0.076	2		ending element

ACCESSORIES

	77	58	350	IM10		0.5	0.006	1		vertical hitch, clear plexiglass
--	----	----	-----	-------------	--	-----	-------	---	--	----------------------------------

CABLE MANAGEMENT

	1496	85	94	EK1200		3.4	0.010	2		for desk: 1600mm; 08 - black, 15 - white gloss
	1696	85	94	EK1400		3.9	0.012	2		for desk: 1800mm; 08 - black, 15 - white gloss
	1896	85	94	EK1600		4.2	0.013	2		for desk: 2000mm; 08 - black, 15 - white gloss

DESCRIPTION

- NET WEIGHT

VOLUME

NUMBER OF PACKAGES

PRODUCT ILLUSTRATION	DIMENSIONS [mm]			INDEX SYMBOL						COMMENTS
	WIDTH	DEPTH	HEIGHT			kg	m3	pcs		

HPL FRONT STORAGES

	801	432	777	A2104HZ		35.0	0.093	3		
	801	432	1129	A3404HZ		40.0	0.111	3		
	801	432	1129	A3104HZ		44.0	0.120	3		
	801	432	1833	A5404HZ		65.0	0.189	3		
	801	432	1833	A5104HZ		75.0	0.216	3		

GLASS DOOR STORAGES

	801	432	1129	A3104W		47.0	0.130	3		transparent tempered glass and aluminum frame
	801	432	1833	A5404WZ		75.0	0.228	4		transparent tempered glass and aluminum frame
	801	432	1833	A5104W		74.0	0.232	3		transparent tempered glass and aluminum frame

GLASS TOP

	800	432	33	A800GT		8.0	0.017	1		glass + mfc
--	-----	-----	----	---------------	--	-----	-------	---	--	-------------

DESCRIPTION

- NET WEIGHT

VOLUME

NUMBER OF PACKAGES