

**TECHNICAL SPECIFICATION**

**COLOURS**

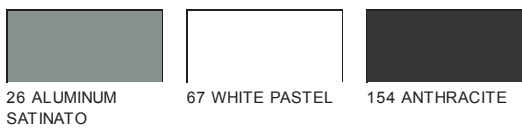
**TOP, BOTTOM**



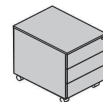
**FRONT**



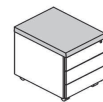
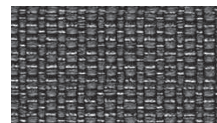
**BODY**



**MOBILE PEDESTAL KKT11**



**CUSHION SKP13 - FABRIC NEMO**



**TECHNICAL SPECIFICATION**

**COLOURS**

**CUSHION SKP13 - FABRIC RUNNER - SECOND GROUP**

R-63034 ORANGE	R-64089 RED	R-66063 BLUE	R-60011 GREY	R-68056 GREEN		
R-66064 NAVY-BLUE	R-60999 BLACK	R-60025 DARK GREY	R-61128 BEIGE			

**CUSHION SKP13 - FABRIC MEDLEY - SECOND GROUP**

M-68005 DARK OLIVE	M-68002 LIGHT OLIVE	M-68115 GREEN	M-61002 BEIGE	M-67053 NAVY BLUE		
M-67006 LIGHT BLUE	M-66008 GREY	M-6419 RED	M-63064 PINK	M-60999 BLACK		

**CUSHION SKP13 - FABRIC ATLANTIC - SECOND GROUP**

A-67043 DARK TURQUOISE	A-67030 SEA-GREEN	A-6141 LIGHT GREY	A-611 GREY	A-66064 NAVY BLUE		
A-65037 VIOLET	A-62048 OLIVE	A-64089 RED	A-61078 BEIGE	A-625 GRAPHITE		

**CUSHION SKP13 - FABRIC BLAZER - THIRD PRICE GROUP**

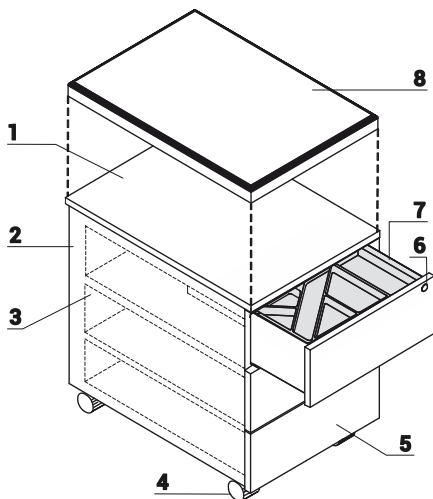
CUZ39 ORANGE	CUZ63 RED	CUZ1L GREEN	CUZ12 GRAPHITE	CUZ02 TURQUOISE		
CUZ1V BLUE	CUZ1X PINK	CUZ1G GREY	CUZ28 LIGHT GREY	CUZ47 BEIGE		
CUZ1R - SEA-GREEN						

**CUSHION SKP13 - FABRIC XTREME - THIRD PRICE GROUP**

XR160 SEA-GREEN	XR430 DARK TURQUOISE	XR026 NAVY BLUE	XR084 VIOLET	XR9 BLACK		
XR420 OLIVE	XR081 DARK GREY	XR094 GREY	XR108 BEIGE	XR079 RED		

TECHNICAL SPECIFICATION

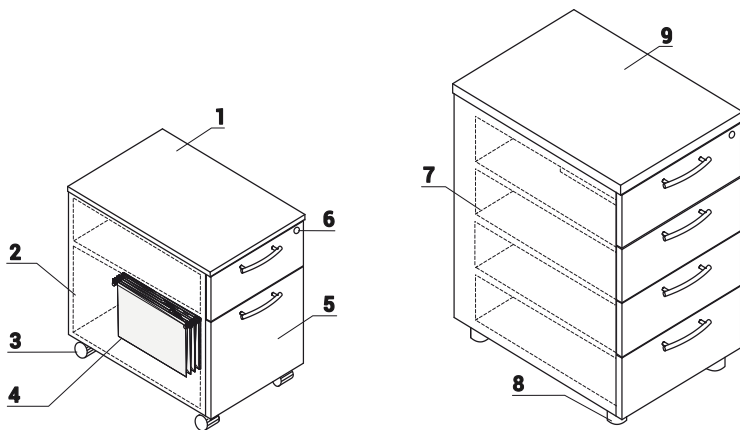
MOBILE PEDESTAL WITHOUT HANDLES



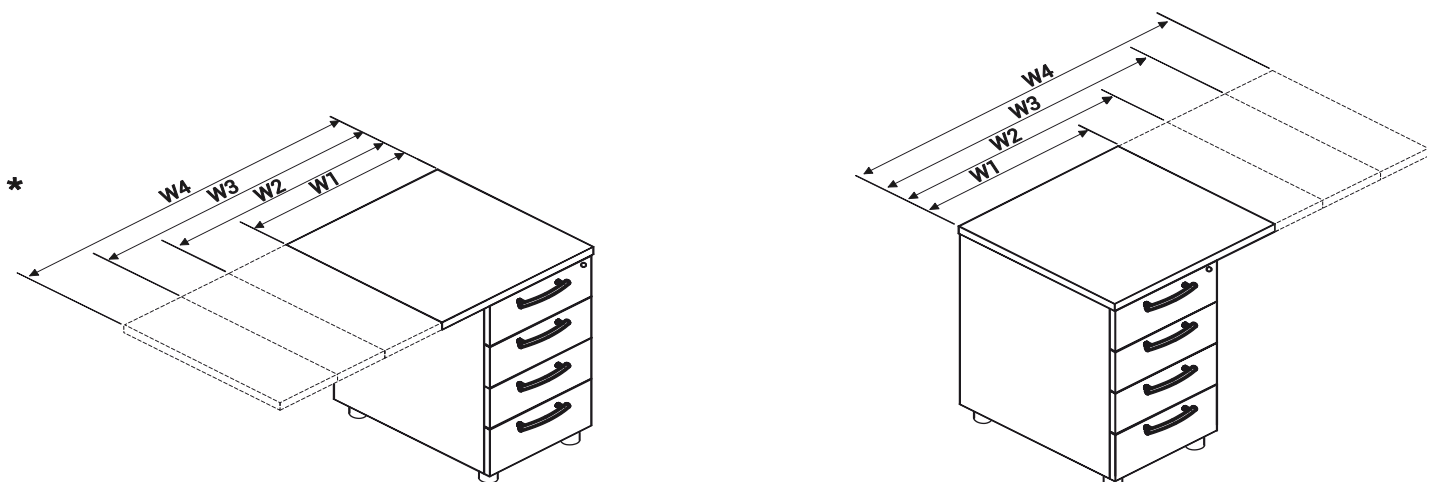
- 1. **Top** - MFC 18mm, PVC edge
- 2. **Body** - MFC 18mm, PVC edge
- 3. **Front** - MFC 18mm, PVC edge
- 4. **Castors** - Ø50mm, two with brakes
- 5. **MFC drawer** - roll runners, max load 25kg, 80% extraction; Anti - tilt mechanism
- 6. **Central lock** - foldable key
- 7. **Pencil tray** - black plastic
- 8. **Cushion SKP13** - for pedstal, order separately, max load 120kg

ATTENTION - no sitting on pedestals without castors support; to be ordered with cushion SKP13

PEDESTALS



- 1. **Top** - MFC 18mm, PVC edge
- 2. **Body** - MFC 18mm, PVC edge
- 3. **Castors** - Ø50mm, two with brakes
- 4. **Suspension files drawer** - max load 30kg, 100% extraction
- 5. **Front** - MFC 18mm, PVC edge
- 6. **Central lock** - foldable key
- 7. **MFC drawer** - roll runners, max load 25kg, 80% extraction; Anti - tilt mechanism
- 8. **Leveling** - 5mm range
- 9. **Top** - MFC 28mm, PVC edge



\* Pedestal with top overhang - W1 - 600mm | W2 - 800mm | W3 - 1000mm | W4 - 1200mm

PRODUCT ILLUSTRATION	DIMENSIONS [mm]			INDEX SYMBOL						COMMENTS
	WIDTH	DEPTH	HEIGHT			kg	m3	pcs		

## MOBILE PEDESTAL WITHOUT HANDLES

	416	600	586	<b>KKT11</b>		26.0	0.153	1		no handles, only in white
--	-----	-----	-----	--------------	--	------	-------	---	--	---------------------------

## PEDESTAL CUSHION

	400	600	52	<b>SKP13</b>		3.0	0.017	1		
--	-----	-----	----	--------------	--	-----	-------	---	--	--

## PEDESTLS WITH TOP OVERHANG 600 mm WIDE

	600	600	740	<b>KT664</b>		35.0	0.209	4		
	600	800	740	<b>KT674</b>		39.0	0.275	4		

## PEDESTALS

	402	600	586	<b>KKT13</b>		26.0	0.142	1		
	402	600	586	<b>KKT12</b>		32.0	0.141	1		
	402	600	740	<b>KKT64</b>		34.0	0.195	1		
	402	800	740	<b>KKT74</b>		37.0	0.258	1		

DESCRIPTION

- NET WEIGHT

VOLUME

NUMBER OF PACKAGES



PRODUCT ILLUSTRATION	DIMENSIONS [mm]			INDEX SYMBOL						COMMENTS
	WIDTH	DEPTH	HEIGHT			kg	m3	pcs		
<b>PEDESTLS WITH TOP OVERHANG 800 mm WIDE</b>										
	800	600	740	<b>KT864</b>		37.0	0.213	4		
	800	800	740	<b>KT874</b>		41.9	0.281	4		
<b>PEDESTLS WITH TOP OVERHANG 1000 mm WIDE</b>										
	1000	600	740	<b>KT1064</b>		38.9	0.218	4		
	1000	800	740	<b>KT1074</b>		44.9	0.287	4		
<b>PEDESTLS WITH TOP OVERHANG 1200 mm WIDE</b>										
	1200	600	740	<b>KT1264</b>		41.4	0.222	4		
	1200	800	740	<b>KT1274</b>		47.9	0.293	4		

DESCRIPTION

- NET WEIGHT

VOLUME

NUMBER OF PACKAGES



## TECHNICAL SPECIFICATION

### COLOURS

#### TOP, BOTTOM



14 BEECH



26 ALUMINUM  
SATINATO



31 CANADIAN OAK



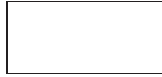
34 CHESTNUT



39 POLAR BIRCH



64 COCOA



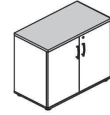
67 WHITE PASTEL



106 LOWLAND NUT



154 ANTHRACITE



#### FRONT



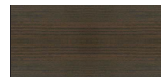
14 BEECH



26 ALUMINUM  
SATINATO



31 CANADIAN OAK



34 CHESTNUT



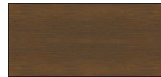
39 POLAR BIRCH



64 COCOA



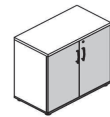
67 WHITE PASTEL



106 LOWLAND NUT



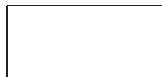
154 ANTHRACITE



#### BODY



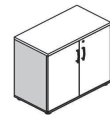
26 ALUMINUM  
SATINATO



67 WHITE PASTEL



154 ANTHRACITE



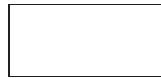
#### TOP, BOTTOM, BODY



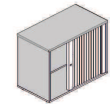
154 ANTHRACITE



26 ALUMINUM  
SATINATO



67 WHITE PASTEL



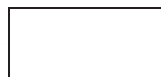
#### FRONT - TAMBOUR



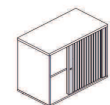
08 BLACK



09 ALUMINUM

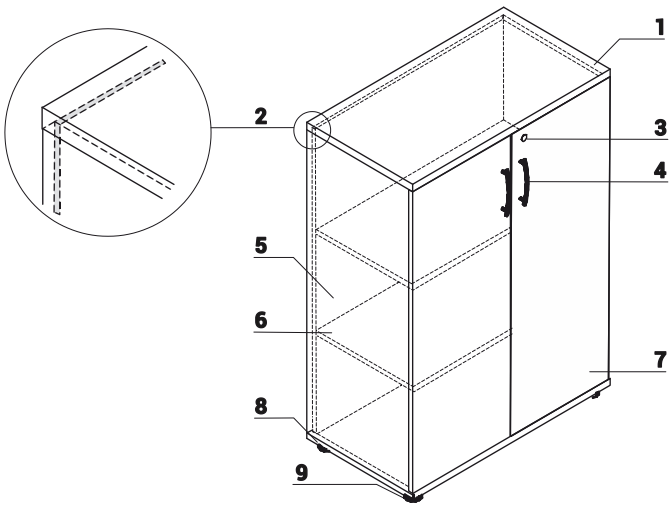


30 WHITE



**TECHNICAL SPECIFICATION**

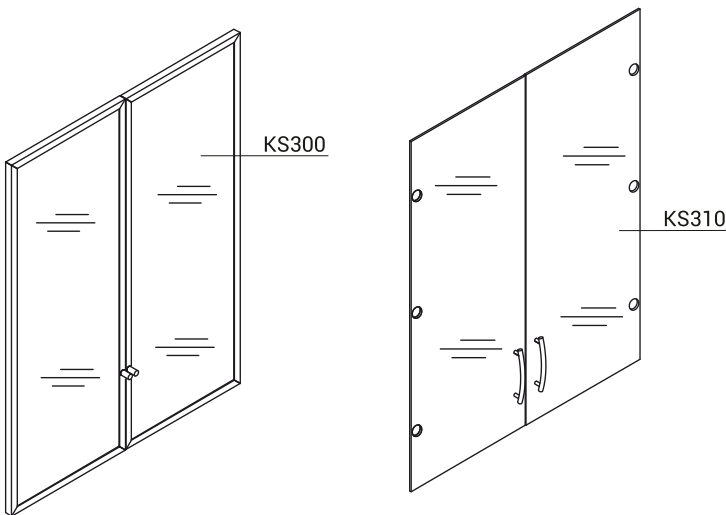
**STORAGES**



- 1. **Top** - MFC 28mm, PVC edge
- 2. **Back MFC** - 3mm
- 3. Patent lock
- 4. Aluminium handle
- 5. **Side panels** - MFC 18mm, PVC edge
- 6. **Shelf** - MFC 18mm, PVC edge
- 7. **Front** - MFC 18mm,PVC edge, plain hinge 110°
- 8. **Base** - MFC 18mm, PVC edge
- 9. **Leveling feet 27mm** - range 12mm

ATTENTION - Raw 3mm HDF is visible on the back

**ADDITIONAL ELEMENTS FOR STORAGE**



- KS300
- glass door 3OH
- frosted tempered glass 4mm, with aluminum frame

- KS310
- glass door 3OH
- transparent tempered glass 4mm

PRODUCT ILLUSTRATION	DIMENSIONS [mm]			INDEX SYMBOL						COMMENTS
	WIDTH	DEPTH	HEIGHT			kg	m3	pcs		

## 50H STORAGEES

	801	385	1833	<b>K5504</b>		40.0	0.100	2		visible back panel, raw HDF 3mm
	801	385	1833	<b>K5404</b>		47.0	0.120	3		visible back panel, raw HDF 3mm
	801	385	1833	<b>K5304</b>		51.3	0.126	3		visible back panel, raw HDF 3mm
	801	385	1833	<b>K5104</b>		58.7	0.142	3		visible back panel, raw HDF 3mm
	801	385	1833	<b>K5204</b>		50.0	0.116	3		wardrobe with slide out hanger, raw 3mm HDF is visible on the back

## 30H STORAGEES

	801	385	1129	<b>K3504</b>		25.0	0.059	2		visible back panel, raw HDF 3mm
	801	385	1129	<b>K3404</b>		32.0	0.078	3		visible back panel, raw HDF 3mm
	801	385	1129	<b>K3104</b>		36.3	0.085	3		visible back panel, raw HDF 3mm

DESCRIPTION

- NET WEIGHT

VOLUME

NUMBER OF PACKAGES



PRODUCT ILLUSTRATION	DIMENSIONS [mm]			INDEX SYMBOL						COMMENTS
	WIDTH	DEPTH	HEIGHT			kg	m3	pcs		

## 2OH STORAGEES

	801	385	777	<b>K2504</b>		19.0	0.049	2		visible back panel, raw HDF 3mm
	801	385	777	<b>K2104</b>		26.0	0.069	3		visible back panel, raw HDF 3mm
	801	385	740	<b>K25B4</b>		18.5	0.048	2		
	801	385	740	<b>K21B4</b>		25.0	0.067	3		

## 2 OH STACK-ON STORAGEES

	801	385	750	<b>K1504</b>		19.0	0.049	2		back - HDF 3mm
	801	385	750	<b>K1104</b>		26.0	0.069	3		back - HDF 3mm

## TAMBOUR STORAGE

	1200	385	1129	<b>K3Z06</b>		64.0	0.600	1		Top and body available in colors: 26 - aluminum satinato; 67 - white pastel, 154 - anthracite Tambour front available in colors: 09 - aluminum; 08 - black or 30 - white
--	------	-----	------	--------------	--	------	-------	---	--	---

## PRINTER STORAGE

	710	600	600	<b>S85</b>		32.0	0.066	1		under printer storage, all in 26-aluminum satinato or 67-white pastel or 154-anthracite
--	-----	-----	-----	------------	--	------	-------	---	--	---

## ADDITIONAL ELEMENTS FOR STORAGE

	800	5	1050	<b>KS310</b>		12.0	0.034	1		glass doors (2pcs) 3OH, transparent tempered glass
	800	20	1050	<b>KS300</b>		10.3	0.037	1		glass doors (2pcs) 3OH with aluminum frame, frosted tempered glass

DESCRIPTION

- NET WEIGHT

VOLUME

NUMBER OF PACKAGES

TECHNICAL SPECIFICATION

COLOURS

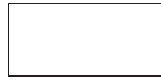
MOBILE PEDESTAL SLD



08 BLACK



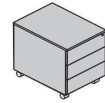
26 ALUMINUM SATINATO



67 WHITE PASTEL



154 ANTHRACITE



CUSHION SKP13 - FABRIC NEMO



NE-1 BEIGE



NE-2 YELLOW



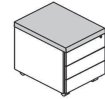
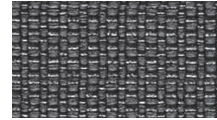
NE-3 ORANGE



NE-5 RED



NE-9 GREEN



NE-10 GREY



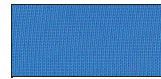
NE-14 DARK GREY



NE-15 NAVY BLUE



NE-16 BLACK



NE-17 BLUE

CUSHION SKP13 - FABRIC RUNNER - SECOND GROUP



R-63034 ORANGE



R-64089 RED



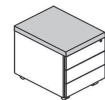
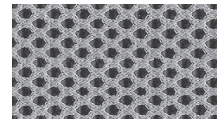
R-66063 BLUE



R-60011 GREY



R-68056 GREEN



R-66064 NAVY-BLUE



R-60999 BLACK

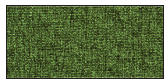


R-60025 DARK GREY



R-61128 BEIGE

CUSHION SKP13 - FABRIC MEDLEY - SECOND GROUP



M-68005 DARK OLIVE



M-68002 LIGHT OLIVE



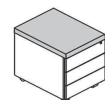
M-68115 GREEN



M-61002 BEIGE



M-67053 NAVY BLUE



M-67006 LIGHT BLUE



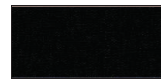
M-66008 GREY



M-6419 RED



M-63064 PINK



M-60999 BLACK

CUSHION SKP13 - FABRIC ATLANTIC - SECOND GROUP



A-67043 DARK TURQUOISE



A-67030 SEA-GREEN



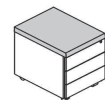
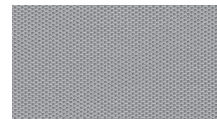
A-6141 LIGHT GREY



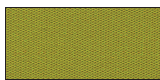
A-611 GREY



A-66064 NAVY BLUE



A-65037 VIOLET



A-62048 OLIVE



A-64089 RED



A-61078 BEIGE



A-625 GRAPHITE

TECHNICAL SPECIFICATION

COLOURS

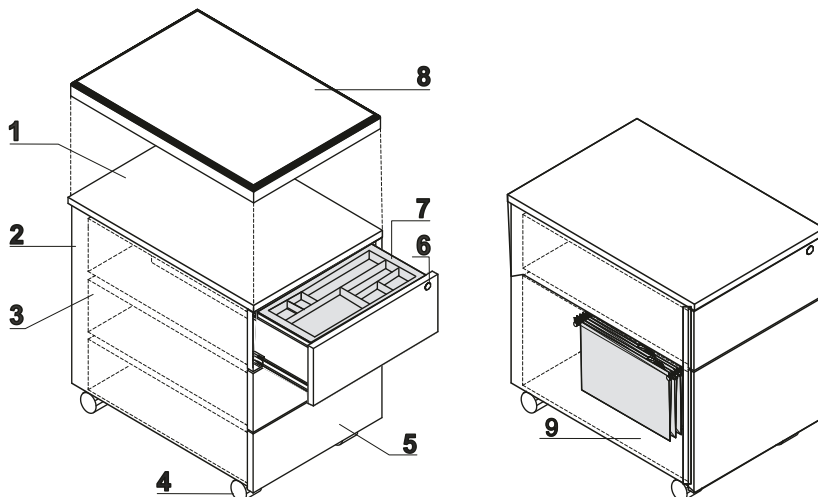
CUSHION SKP13 - FABRIC BLAZER - THIRD PRICE GROUP



CUSHION SKP13 - FABRIC XTREME - THIRD PRICE GROUP



MOBILE PEDESTAL WITHOUT HANDLES



1. **Top** - MFC 18mm, PVC edge
2. **Body** - MFC 18mm, PVC edge
3. **Metal drawer** - roll runners, max load 25kg, 80% extraction; Anti - tilt mechanism; OPTIONAL: ball runners, soft closing
4. **Castors** - Ø50mm, two with brakes
5. **Front** - MFC 18mm,PVC edge
6. **Central lock** - foldable key
7. **Pencil tray** - black plastic
8. **Cushion SKP13** - for pedestal, order separately, max load 120kg
9. **Suspension files drawer** - ball runners, max load 30kg, 100% extraction, A4 folders must be inserted parallelly to the front

PRODUCT ILLUSTRATION	DIMENSIONS [mm]			INDEX SYMBOL						COMMENTS
	WIDTH	DEPTH	HEIGHT			kg	m3	pcs		

**MOBILE PEDESTAL WITHOUT HANDLES**

	416	600	586	SLD12		30.0	0.158	1		mobile with suspension files drawer, drawers depth – 500mm
	416	600	586	SLD13		23.0	0.158	1		drawers depth - 500mm
	416	800	586	SLD120		26.0	0.207	1		
	416	800	586	SLD130		27.0	0.207	1		

**PEDESTAL CUSHION**

	400	600	52	SKP13		3.0	0.017	1		
--	-----	-----	----	-------	--	-----	-------	---	--	--

DESCRIPTION

- NET WEIGHT

VOLUME

NUMBER OF PACKAGES





TECHNICAL SPECIFICATION

COLOURS

TOP, BOTTOM



14 BEECH



26 ALUMINUM  
SATINATO



31 CANADIAN OAK



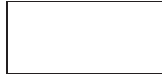
34 CHESTNUT



39 POLAR BIRCH



64 COCOA



67 WHITE PASTEL



106 LOWLAND NUT



154 ANTHRACITE



FRONT



14 BEECH



26 ALUMINUM  
SATINATO



31 CANADIAN OAK



34 CHESTNUT



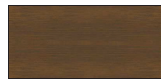
39 POLAR BIRCH



64 COCOA



67 WHITE PASTEL



106 LOWLAND NUT



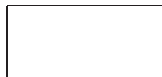
154 ANTHRACITE



BODY - FIRST GROUP



26 ALUMINUM  
SATINATO



67 WHITE PASTEL



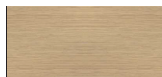
154 ANTHRACITE



BODY - SECOND GROUP



14 BEECH



31 CANADIAN OAK



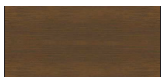
34 CHESTNUT



39 POLAR BIRCH



64 COCOA

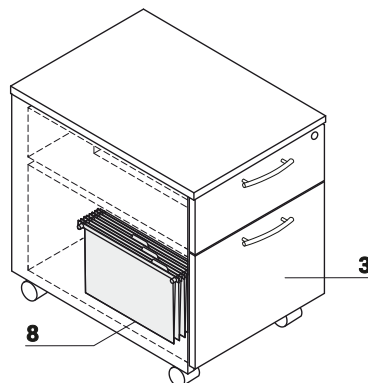
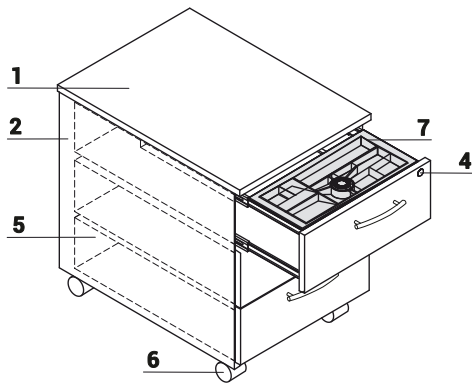


106 LOWLAND NUT

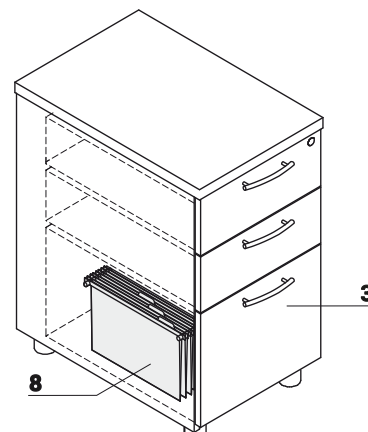
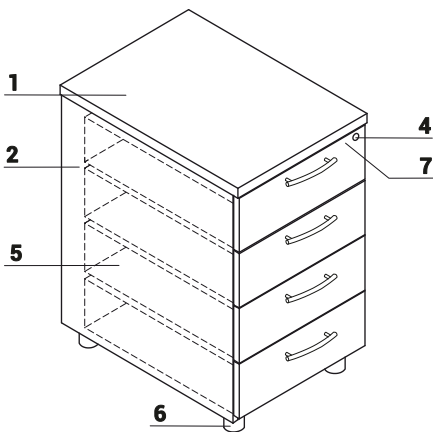


TECHNICAL SPECIFICATION

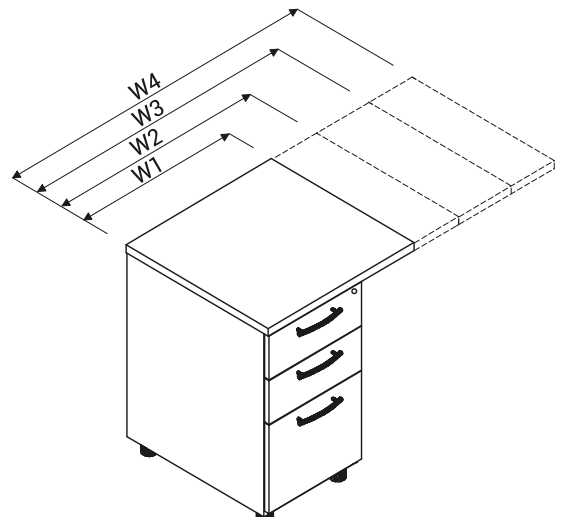
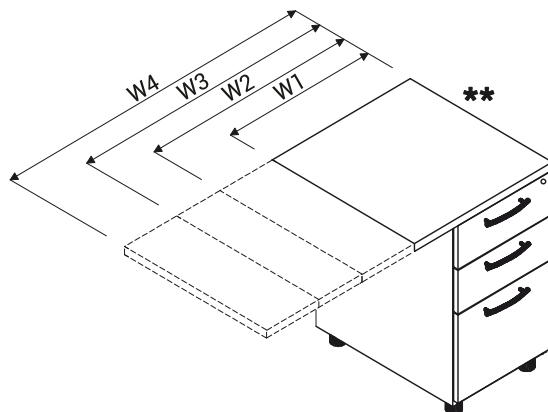
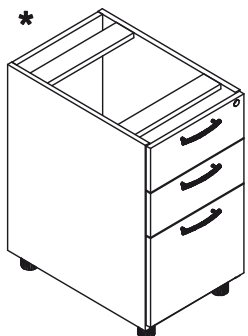
KDT PEDESTALS



1. **Top** - MFC 18mm, PVC edge
2. **Body** - MFC 18mm, PVC edge
3. **Front** - MFC 18mm,PVC edge
4. **Central lock** - foldable key
5. **Metal drawer** - roll runners, max load 25kg, 80% extraction; Anti - tilt mechanism; OPTIONAL: ball runners, soft closing
6. **Castors** - Ø50mm, two with brakes
7. **Pencil tray** - black plastic
8. **Suspension files drawer** - ball runners, max load 30kg, 100% extraction, A4 folders must be inserted parallelly to the front



1. **Top** - MFC 28mm, PVC edge
2. **Body** - MFC 18mm, PVC edge
3. **Front** - MFC 18mm,PVC edge
4. **Central lock** - foldable key
5. **Metal drawer** - roll runners, max load 25kg, 80% extraction; Anti - tilt mechanism; OPTIONAL: ball runners, soft closing
6. **Leveling** - 5mm range
7. **Pencil tray** - black plastic
8. **Suspension files drawer** - ball runners, max load 30kg, 100% extraction



\* Pedestals without tops - W1 - 600mm | W2 - 800mm | W3 - 1000mm | W4 - 1200mm

PRODUCT ILLUSTRATION	DIMENSIONS [mm]			INDEX SYMBOL						COMMENTS
	WIDTH	DEPTH	HEIGHT			kg	m3	pcs		
	402	600	586	<b>KDT12</b>		30.0	0.151	1		mobile with suspension files drawer; drawers depth – 500mm
	402	600	586	<b>KDT13</b>		23.0	0.151	1		mobile; drawers depth – 500mm
	402	800	586	<b>KDT120</b>		33.0	0.198	1		mobile with suspension files drawer; drawers depth: standard – 500mm, file – 700mm
	402	800	586	<b>KDT130</b>		26.0	0.198	1		mobile; drawers depth: standard – 500mm, file – 700mm
	402	600	740	<b>KDT63</b>		27.0	0.211	1		file drawer; drawers depth – 500mm
	402	600	740	<b>KDT64</b>		28.0	0.193	1		drawers depth – 500mm
	402	800	740	<b>KDT73</b>		32.0	0.255	1		file drawer; drawers depth: standard – 500mm, file – 700mm
	402	800	740	<b>KDT74</b>		33.0	0.255	1		drawers depth: standard – 500mm, file – 700mm

DESCRIPTION

- NET WEIGHT

VOLUME

NUMBER OF PACKAGES

PRODUCT ILLUSTRATION	DIMENSIONS [mm]			INDEX SYMBOL						COMMENTS
	WIDTH	DEPTH	HEIGHT			kg	m3	pcs		

## PEDESTLS WITH TOP OVERHANG 600 mm WIDE

	600	600	740	<b>KD663</b>		29.0	0.219	4		file drawer, universal overhang left/right; drawers depth – 500mm
	600	600	740	<b>KD664</b>		30.0	0.206	4		
	600	800	740	<b>KD673</b>		36.0	0.273	4		file drawer, universal overhang left/right; drawers depth – 500mm
	600	800	740	<b>KD674</b>		37.0	0.273	4		universal overhang left/tight; drawers depth – 500mm

## PEDESTLS WITH TOP OVERHANG 800 mm WIDE

	800	600	740	<b>KD863</b>		31.0	0.223	4		file drawer, universal overhang left/right; drawers depth – 500mm
	800	600	740	<b>KD864</b>		32.0	0.211	4		universal overhang left/tight; drawers depth – 500mm
	800	800	740	<b>KD873</b>		38.9	0.278	4		file drawer, universal overhang left/right; drawers depth: standard – 500mm, file – 700mm
	800	800	740	<b>KD874</b>		39.9	0.278	4		universal overhang left/tight; drawers depth – 500mm

DESCRIPTION

- NET WEIGHT

VOLUME

NUMBER OF PACKAGES

PRODUCT ILLUSTRATION	DIMENSIONS [mm]			INDEX SYMBOL						COMMENTS
	WIDTH	DEPTH	HEIGHT			kg	m3	pcs		

## PEDESTLS WITH TOP OVERHANG 1000 mm WIDE

	1000	600	740	<b>KD1063</b>		32.9	0.228	4		file drawer, universal overhang left/right; drawers depth – 500mm
	1000	600	740	<b>KD1064</b>		33.9	0.215	4		universal overhang left/tight; drawers depth – 500mm
	1000	800	740	<b>KD1073</b>		41.9	0.284	4		file drawer, universal overhang left/right; drawers depth: standard – 500mm, file – 700mm
	1000	800	740	<b>KD1074</b>		42.9	0.284	4		universal overhang left/tight; drawers depth – 500mm

## PEDESTLS WITH TOP OVERHANG 1200 mm WIDE

	1200	600	740	<b>KD1263</b>		35.4	0.232	4		file drawer, universal overhang left/right; drawers depth – 500mm
	1200	600	740	<b>KD1264</b>		36.4	0.219	4		universal overhang left/tight; drawers depth – 500mm
	1200	800	740	<b>KD1273</b>		44.9	0.290	4		file drawer, universal overhang left/right; drawers depth: standard – 500mm, file – 700mm
	1200	800	740	<b>KD1274</b>		45.9	0.290	4		universal overhang left/tight; drawers depth – 500mm

DESCRIPTION

- NET WEIGHT

VOLUME

NUMBER OF PACKAGES



PRODUCT ILLUSTRATION	DIMENSIONS [mm]			INDEX SYMBOL						COMMENTS
	WIDTH	DEPTH	HEIGHT			kg	m3	pcs		

**PEDESTALS WITHOUT TOPS**

	400	600	712	<b>KDT063</b>		22.0	0.205	1		drawers depth – 500mm
	400	600	712	<b>KDT064</b>		23.0	0.193	1		drawers depth – 500mm
	400	800	712	<b>KDT073</b>		27.0	0.255	1		drawers depth: standard – 500mm, file – 700mm
	400	800	712	<b>KDT074</b>		28.0	0.255	1		drawers depth – 500mm

DESCRIPTION

- NET WEIGHT

VOLUME

NUMBER OF PACKAGES

TECHNICAL SPECIFICATION

COLOURS

TOP, BOTTOM



14 BEECH



26 ALUMINUM SATINATO



31 CANADIAN OAK



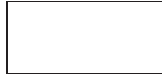
34 CHESTNUT



39 POLAR BIRCH



64 COCOA



67 WHITE PASTEL



106 LOWLAND NUT



154 ANTHRACITE



FRONT



14 BEECH



26 ALUMINUM SATINATO



31 CANADIAN OAK



34 CHESTNUT



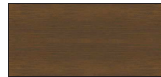
39 POLAR BIRCH



64 COCOA



67 WHITE PASTEL



106 LOWLAND NUT



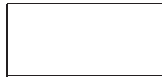
154 ANTHRACITE



BODY - FIRST GROUP



26 ALUMINUM SATINATO



67 WHITE PASTEL



154 ANTHRACITE



BODY - SECOND GROUP



14 BEECH



31 CANADIAN OAK



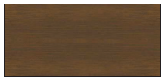
34 CHESTNUT



39 POLAR BIRCH



64 COCOA



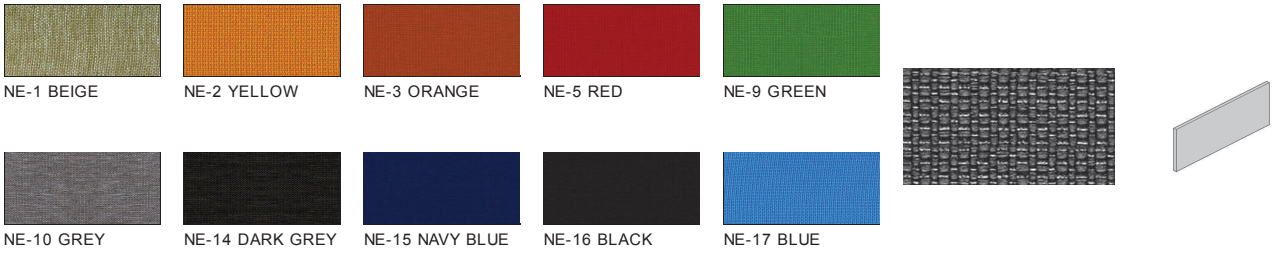
106 LOWLAND NUT



TECHNICAL SPECIFICATION

COLOURS

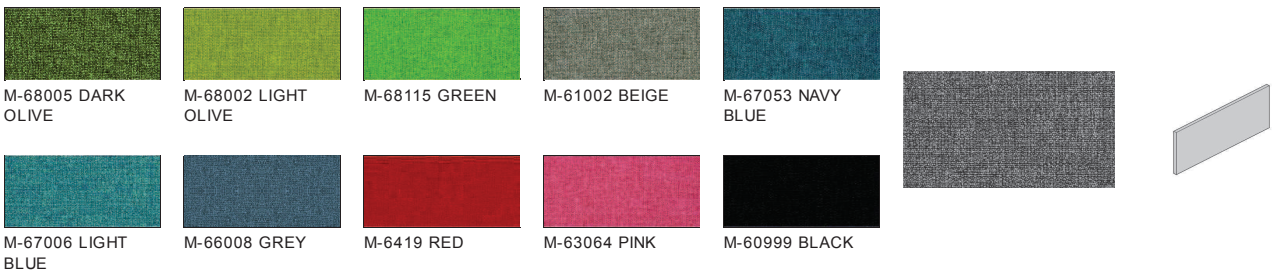
PA1L - FABRIC NEMO



PA1L - FABRIC RUNNER - SECOND GROUP



PA1L - FABRIC MEDLEY - SECOND GROUP



PA1L - FABRIC ATLANTIC - SECOND GROUP



TECHNICAL SPECIFICATION

COLOURS

PA1L - FABRIC BLAZER - THIRD PRICE GROUP



CUZ39 ORANGE



CUZ63 RED



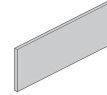
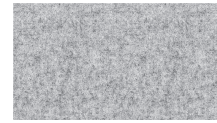
CUZ1L GREEN



CUZ12 GRAPHITE



CUZ02 TURQUOISE



CUZ1V BLUE



CUZ1X PINK



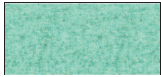
CUZ1G GREY



CUZ28 LIGHT GREY

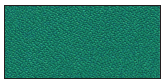


CUZ47 BEIGE

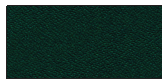


CUZ1R -  
SEA-GREEN

PA1L - FABRIC XTREME - THIRD PRICE GROUP



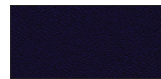
XR160 SEA-GREEN



XR430 DARK  
TURQUOISE



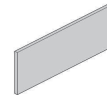
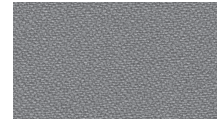
XR026 NAVY BLUE



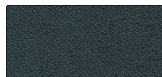
XR084 VIOLET



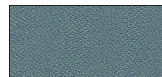
XR9 BLACK



XR420 OLIVE



XR081 DARK GREY



XR094 GREY



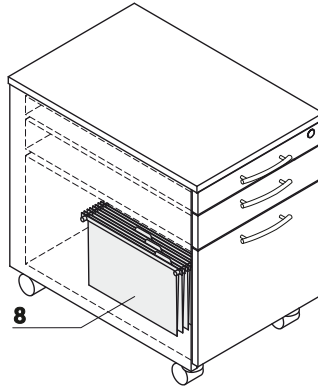
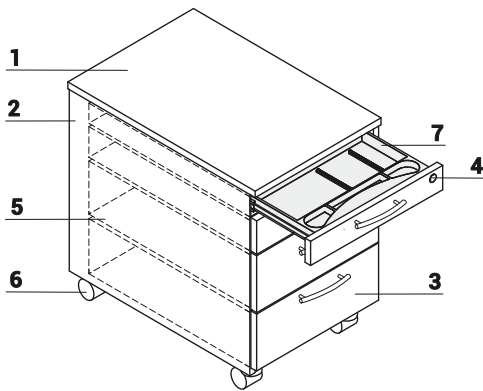
XR108 BEIGE



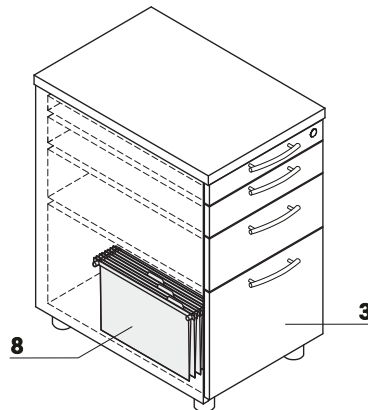
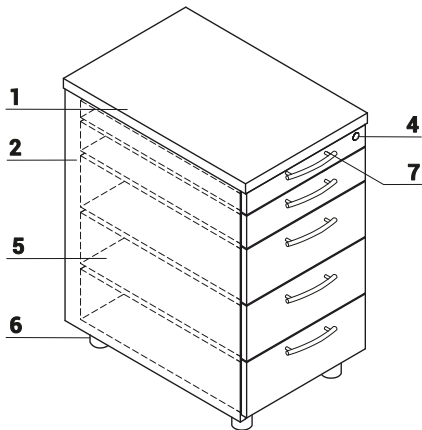
XR079 RED

TECHNICAL SPECIFICATION

KRT PEDESTALS



1. **Top** - MFC 18mm, PVC edge
2. **Body** - MFC 18mm, PVC edge
3. **Front** - MFC 18mm,PVC edge
4. **Central lock** - foldable key
5. **Metal drawer** - roll runners, max load 25kg, 80% extraction; Anti - tilt mechanism; OPTIONAL: ball runners, soft closing
6. **Castors** - Ø50mm, two with brakes
7. **Separate pencil drawer**
8. **Suspension files drawer** - ball runners, max load 30kg, 100% extraction



1. **Top** - MFC 28mm, PVC edge
2. **Body** - MFC 18mm, PVC edge
3. **Front** - MFC 18mm,PVC edge
4. **Central lock** - foldable key
5. **Metal drawer** - roll runners, max load 25kg, 80% extraction; Anti - tilt mechanism; OPTIONAL: ball runners, soft closing
6. **Leveling** - 5mm range
7. **Separate pencil drawer**
8. **Suspension files drawer** - ball runners, max load 30kg, 100% extraction



PRODUCT ILLUSTRATION	DIMENSIONS [mm]			INDEX SYMBOL						COMMENTS
	WIDTH	DEPTH	HEIGHT			kg	m3	pcs		
	402	600	586	<b>KRT12</b>		31.0	0.151	1		mobile with suspension files drawer, drawers depth – 500mm
	402	600	586	<b>KRT13</b>		24.0	0.151	1		mobile; drawers depth – 500mm
	402	800	586	<b>KRT120</b>		27.0	0.198	1		mobile with suspension files drawer; drawers depth: standard – 500mm, file – 700mm
	402	800	586	<b>KRT130</b>		28.0	0.198	1		mobile; drawers depth – 500mm
	402	600	740	<b>KRT63</b>		28.0	0.211	1		file drawer; drawers depth – 500mm
	402	600	740	<b>KRT64</b>		29.0	0.211	1		drawers depth – 500mm
	402	800	740	<b>KRT73</b>		33.0	0.255	1		file drawer, universal overhang left/right; drawers depth: standard – 500mm, file – 700mm
	402	800	740	<b>KRT74</b>		33.0	0.255	1		drawers depth – 500mm

DESCRIPTION

- NET WEIGHT

VOLUME

NUMBER OF PACKAGES

PRODUCT ILLUSTRATION	DIMENSIONS [mm]			INDEX SYMBOL						COMMENTS
	WIDTH	DEPTH	HEIGHT			kg	m3	pcs		

### COPPLEMENTARY ELEMENTS

	800	402	389	<b>A1L02</b>		18.0	0.031	1		stack-on storage for pedestal
	800	402	389	<b>A1L04</b>		19.0	0.152	1		stack-on tambour storage for pedestal
	761	341	22	<b>PA1L</b>		5.0	0.010	1		fabric screen for storage A1L02 or A1L04

### FIXING ELEMENTS

	620	30	30	<b>E31</b>		0.6	0.001	1		angle bracket for 800mm edges
	450	30	30	<b>E32</b>		0.5	0.000	1		angle bracket for 600mm edges
	330	30	30	<b>E37</b>		1.5	0.000	1		angle bracket

DESCRIPTION

- NET WEIGHT

VOLUME

NUMBER OF PACKAGES

TECHNICAL SPECIFICATION

COLOURS

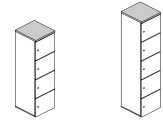
TOP, BOTTOM



26 ALUMINUM SATINATO    31 CANADIAN OAK    34 CHESTNUT    39 POLAR BIRCH



64 COCOA    67 WHITE PASTEL    154 ANTHRACITE



FRONT



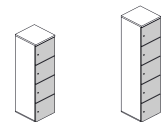
26 ALUMINUM SATINATO    31 CANADIAN OAK    34 CHESTNUT    39 POLAR BIRCH    64 COCOA



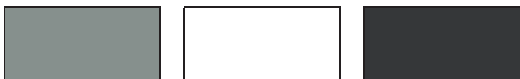
67 WHITE PASTEL    154 ANTHRACITE    73 HIGH GLOSS WHITE    127 HIGH GLOSS FUCHSIA    148 HIGH GLOSS GRAY



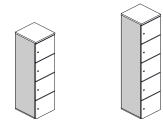
74 HIGH GLOSS ORANGE    80 HIGH GLOSS LIME    81 HIGH GLOSS BURGUNDY    102 HIGH GLOSS YELLOW    108 BLUE HIGH GLOSS



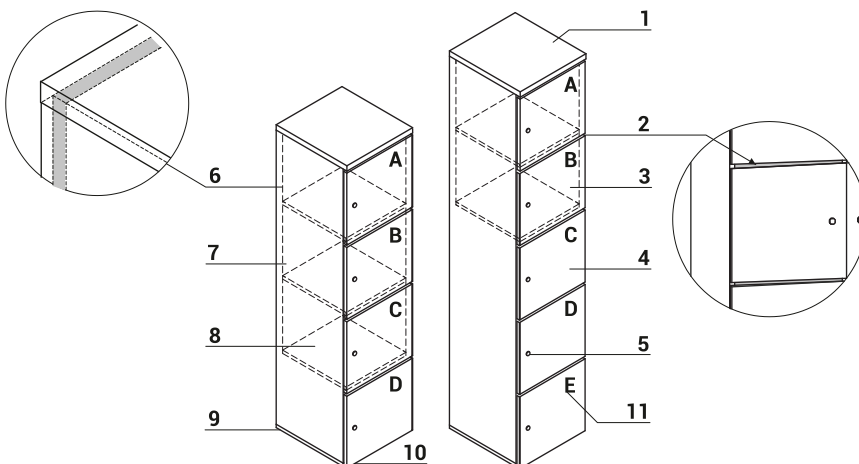
BODY



26 ALUMINUM SATINATO    67 WHITE PASTEL    154 ANTHRACITE

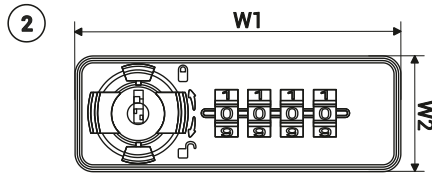
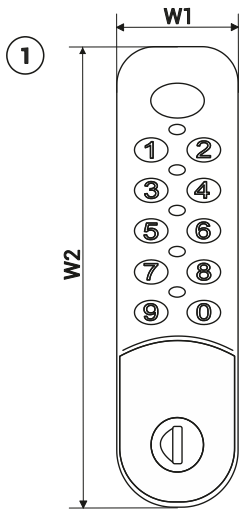


LOCKER TYPE STORAGE






1. **Top** - MFC 28mm, PVC edge
2. **Opening gap for inserting sheets of paper** - gap of 17mm
3. **Internal dimensions of one segment** - 364x388x373
4. **Front** - MFC 18mm, PVC edge
5. **Patent lock** - OPTION WITH ADDITIONAL CHARGE: a code or digital lock
6. **Back MFC** - 18mm, PVC edges
7. **Side panels** - MFC 18mm, PVC edge
8. **Horizontal partition wall** - 18mm laminated board, edging of PVC
9. **Base** - MFC 18mm, PVC edge
10. **Leveling feet 27mm** - range 12mm
11. **Symbols** - important when choosing a color, possible to choose front in various colors



TECHNICAL SPECIFICATION



1. Standard Digital Combination Lock
  - dimensions: W1 - 38mm | W2 - 136mm
  - \*High level of safety:
    - 4 digit user codes
    - 6 digit technical code meant for opening the cabinet without changing the code
    - 6 digit Sub-Master code meant for opening and deleting user code
    - 8 digit master code is used for setting the operating mode of the lock, resetting and deleting user code, setting Sub-Master code
  - \*Lock works in two modes (the possibility of ordering the lock of the selected mode)
    - public mode (office, school)
    - private mode (deposit, swimming pool, fitness clubs)
  - \* Ability to set an auto unlock after a specified period of time (only in private user mode)
  - \* Available versions designed especially for wet rooms (with additional seals) and a version for people with disabilities (adapted handle)
  - \* Lock comes complete with batteries and manual
2. Code lock
  - dimensions: W1 - 73mm | W2 - 25mm
  - code search function
  - a straight bolt 32mm

PRODUCT ILLUSTRATION	DIMENSIONS [mm]			INDEX SYMBOL						COMMENTS
	WIDTH	DEPTH	HEIGHT			kg	m3	pcs		


**LOCKER TYPE STORAGE**

	400	432	1610	<b>LOK04</b>		41.5	0.088	3		
	400	432	2010	<b>LOK05</b>		49.5	0.105	3		

DESCRIPTION

 - NET WEIGHT

 VOLUME

 NUMBER OF PACKAGES



## TECHNICAL SPECIFICATION

### COLOURS

#### TOP, BOTTOM



14 BEECH


 26 ALUMINIUM  
SATINATO


31 CANADIAN OAK



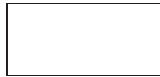
34 CHESTNUT



39 POLAR BIRCH



64 COCOA



67 WHITE PASTEL



106 LOWLAND NUT



154 ANTHRACITE



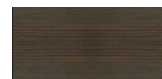
#### FRONT



14 BEECH


 26 ALUMINIUM  
SATINATO


31 CANADIAN OAK



34 CHESTNUT



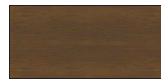
39 POLAR BIRCH



64 COCOA



67 WHITE PASTEL



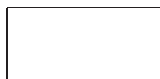
106 LOWLAND NUT



154 ANTHRACITE



#### BODY - FIRST GROUP


 26 ALUMINIUM  
SATINATO


67 WHITE PASTEL



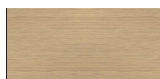
154 ANTHRACITE



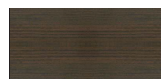
#### BODY - SECOND GROUP



14 BEECH



31 CANADIAN OAK



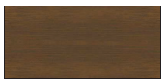
34 CHESTNUT



39 POLAR BIRCH



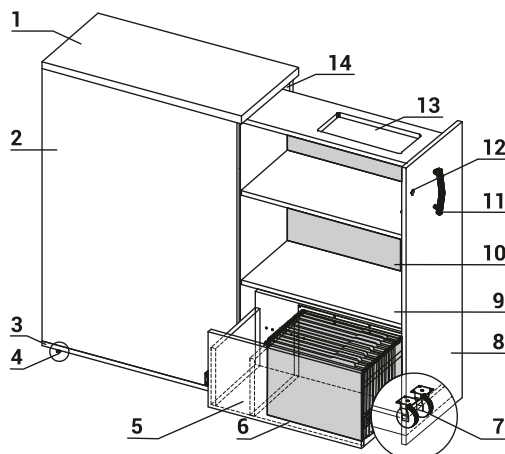
64 COCOA






106 LOWLAND NUT



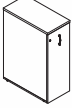
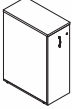
## CARGO PEDESTALS



1. **Top** - MFC 28mm, PVC edge
2. **Body** - MFC 18mm, PVC edge
3. **Base** - MFC 18mm, PVC edge
4. **Leveling** - 10mm range
5. Movable vertical partition which allows organize the space
6. **Drawer** - MFC 18 mm, max. 35kg load, possible extraction 100%, possibility of hanging files, ball runners
7. **Castors** - Ø75mm
8. **Front** - MFC 18mm, PVC edge
9. **Shelf** - MFC 18mm, PVC edge
10. Full back rear - MFC 18 mm
11. Aluminium handle
12. Patent lock
13. **Pencil tray** - black plastic
14. **Back MFC** - 18mm, PVC edges

PRODUCT ILLUSTRATION	DIMENSIONS [mm]			INDEX SYMBOL						COMMENTS
	WIDTH	DEPTH	HEIGHT			kg	m3	pcs		

## CARGO PEDESTALS

	402	800	1129	<b>KCD81P</b>		71.0	0.414	1		shelves accesable from right side
	402	800	1129	<b>KCD81L</b>		71.0	0.414	1		shelves accesable from left side

DESCRIPTION

 - NET WEIGHT

 VOLUME

 NUMBER OF PACKAGES



TECHNICAL SPECIFICATION

COLOURS

A3R02



26 ALUMINUM SATINATO



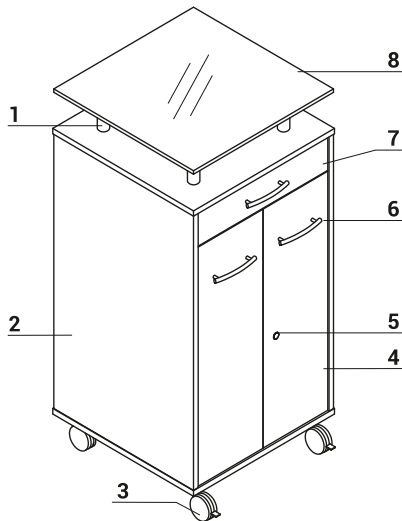
67 WHITE PASTEL



154 ANTHRACITE



MOBILE STORAGE - MULTIFUNCTION



- 1. Spacers - 120mm
- 2. Body - MFC 18mm, PVC edge
- 3. Castors - Ø75mm, two with brakes
- 4. Front - MFC 18mm,PVC edge, plain hinge 110°
- 5. Patent lock
- 6. Aluminium handle
- 7. Drawer- 100% extraction, metal, max load 30kg, cutlery tray
- 8. Top - tempered frosted glass - 12mm; painted on bottom

PRODUCT ILLUSTRATION	DIMENSIONS [mm]			INDEX SYMBOL					COMMENTS
	WIDTH	DEPTH	HEIGHT			kg	m3	pcs	

MOBILE STORAGE - MULTIFUNCTION

	550	550	1188	A3R02		66.7	0.176	3	
--	-----	-----	------	-------	--	------	-------	---	--

DESCRIPTION

- NET WEIGHT

VOLUME

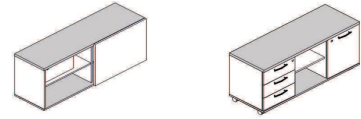
NUMBER OF PACKAGES



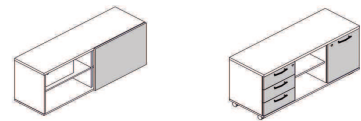
## TECHNICAL SPECIFICATION

### COLOURS

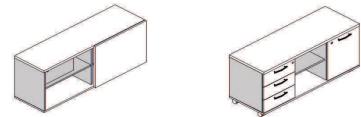
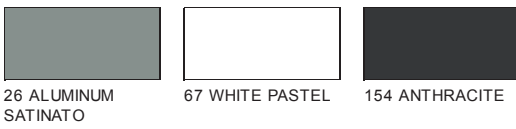
#### TOP, BOTTOM



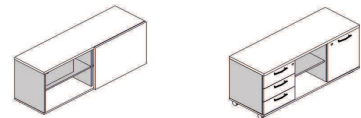
#### FRONT



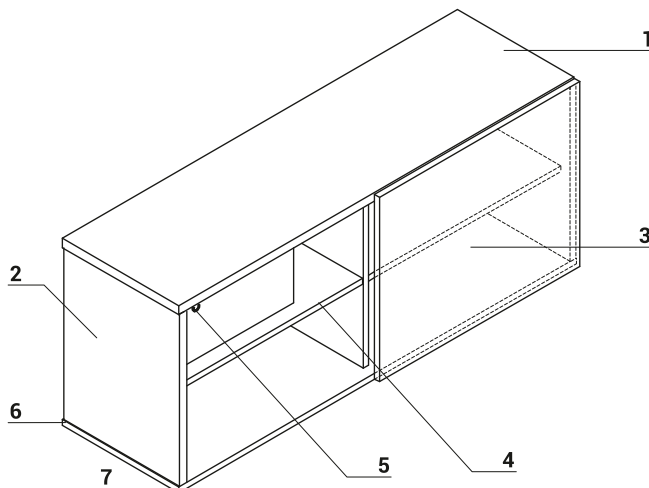
#### BODY - FIRST GROUP



#### BODY - SECOND GROUP



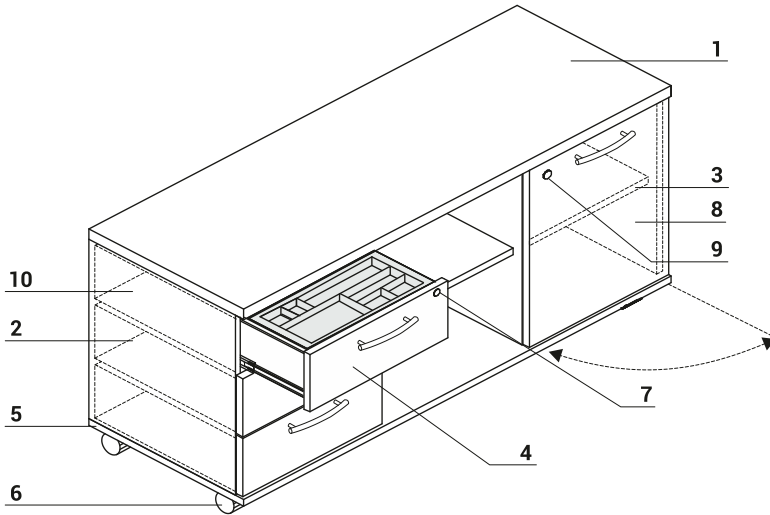
### MANAGERIAL STORAGES



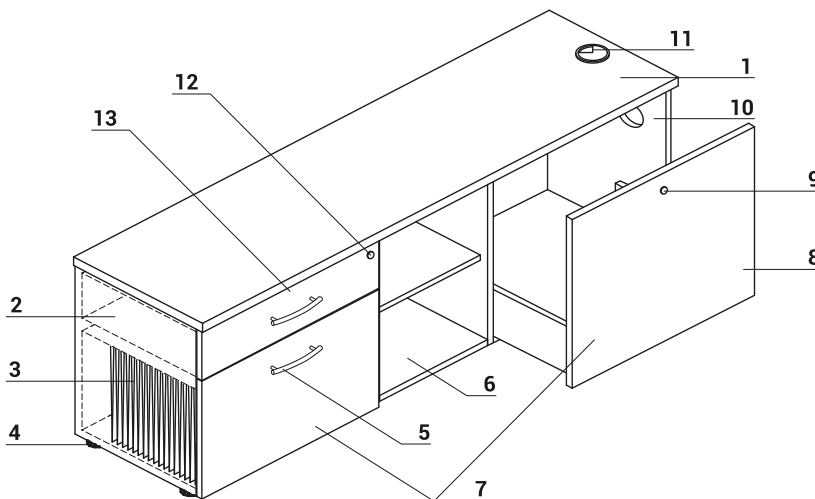
1. **Top** - MFC 28mm, PVC edge
2. **Side panels** - MFC 18mm, PVC edge
3. **Front** - MFC 18mm, PVC edge
4. **Shelf** - MFC 18mm, PVC edge
5. **Drawer** - MFC 18mm, PVC edge, lock - possible to change location
6. **Base** - MFC 18mm, PVC edge
7. **Leveling feet** - range 5mm

TECHNICAL SPECIFICATION

TWIN - FABRIC PANELS FOR BENCH DESKS



1. **Top** - MFC 28mm, PVC edge
2. **Side panels** - MFC 18mm, PVC edge
3. **Shelf** - MFC 18mm, PVC edge
4. **Pencil tray** - black plastic
5. **Base** - MFC 18mm, PVC edge
6. **Castors** - Ø50mm, two with brakes
7. Patent lock
8. **Front** - MFC 18mm, PVC edge, plain hinge 110°
9. **Central lock** - foldable key
10. **Metal drawer** - roll runners, max load 25kg, 80% extraction; Anti - tilt mechanism; OPTIONAL: ball runners, soft closing



1. **Top** - MFC 28mm, PVC edge
2. **Metal drawer** - roll runners, max load 25kg, 80% extraction; Anti - tilt mechanism; OPTIONAL: ball runners, soft closing
3. **Suspension files drawer** - ball runners, max load 40kg, 100% extraction; push-to-open
4. **Leveling feet** - range 5mm
5. Aluminium handle
6. **Base** - MFC 18mm, PVC edge
7. **Front** - MFC 18mm, PVC edge
8. **Drawer with bottom** - ball runners, max. load 40 kg, 100 % extraction, push – to – open (possible storage of computer)
9. **Central lock** - foldable key
10. **Body** - MFC 18mm, PVC edge
11. **Cable grommets** - Ø80mm
12. Patent lock
13. **Pencil tray** - black plastic

PRODUCT ILLUSTRATION	DIMENSIONS [mm]			INDEX SYMBOL						COMMENTS
	WIDTH	DEPTH	HEIGHT			kg	m3	pcs		

**MANAGERIAL STORAGES**

	1400	432	600	<b>A14M</b>		57.5	0.152	4		universal storage left or right
	1200	432	599	<b>A120M</b>		45.0	0.302	1		
	1600	434	600	<b>A12M</b>		77.0	0.376	4		

DESCRIPTION

- NET WEIGHT

VOLUME

NUMBER OF PACKAGES



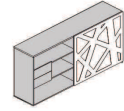
TECHNICAL SPECIFICATION

COLOURS

ZS01 - TOP, BOTTOM, BODY



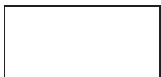
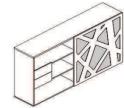
67 WHITE PASTEL



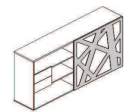
ZS01 - FRONT



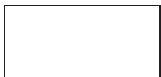
73 HIGH GLOSS WHITE



15 HIGH GLOSS WHITE



ZS02 - TOP, BOTTOM, BODY



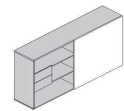
67 WHITE PASTEL



26 ALUMINUM SATINATO



154 ANTHRACITE



ZS02 - FRONT



73 HIGH GLOSS WHITE



74 HIGH GLOSS ORANGE



80 HIGH GLOSS LIME



81 HIGH GLOSS BURGUNDY



101 HIGH GLOSS BLACK



102 HIGH GLOSS YELLOW



108 BLUE HIGH GLOSS



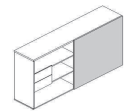
127 HIGH GLOSS FUCHSIA



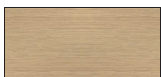
148 HIGH GLOSS GRAY



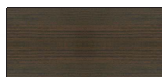
155 ANTHRACITE HIGH GLOSS



ZS03 - TOP, BOTTOM



31 CANADIAN OAK



34 CHESTNUT



39 POLAR BIRCH



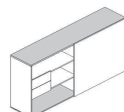
67 WHITE PASTEL



26 ALUMINUM SATINATO



154 ANTHRACITE



ZS03 - BODY



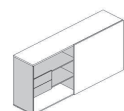
67 WHITE PASTEL



26 ALUMINUM SATINATO



154 ANTHRACITE



TECHNICAL SPECIFICATION

COLOURS

ZS03 - FRONT



31 CANADIAN OAK



34 CHESTNUT



39 POLAR BIRCH



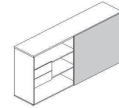
67 WHITE PASTEL



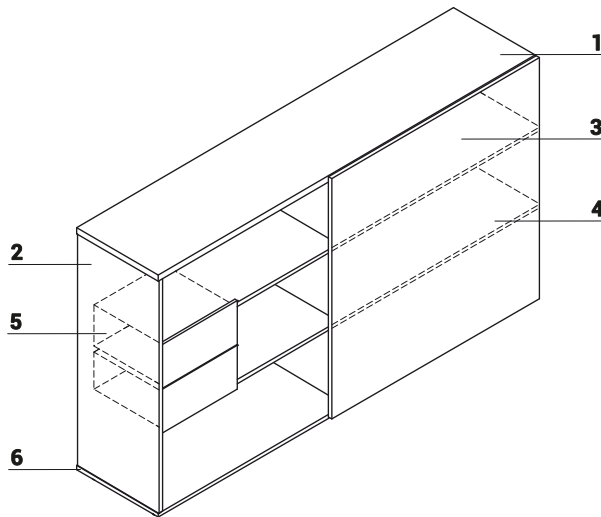
26 ALUMINUM SATINATO



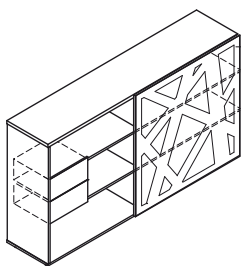
154 ANTHRACITE



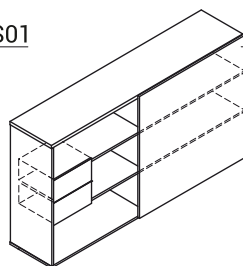
MANAGERIAL STORAGE



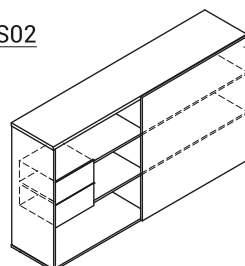
1. **Top** - MFC 28mm, PVC edge
2. **Side panels** - MFC 28mm, PVC edge
3. **Front** - sliding doors, metal self-closing mechanism, PVC edge
4. **Shelf** - MFC 18mm, PVC edge
5. **Drawer** - MFC 18mm, PVC edge, possible different position
6. **Base** - MFC 18mm, PVC edge



ZS01



ZS02



ZS03

ZS01  
HPL + powder coated steel

ZS02  
Front - HPL 18mm - high gloss, PVC edge

ZS03  
Front - MFC 18mm, PVC edge

Note: The front width 1100mm



PRODUCT ILLUSTRATION	DIMENSIONS [mm]			INDEX SYMBOL						COMMENTS
	WIDTH	DEPTH	HEIGHT			kg	m3	pcs		
<b>MANAGERIAL STORAGE</b>										
	2000	434	1129	ZS01		114.2	0.331	5		ZIG-ZAG front
	2000	434	1129	ZS02		122.2	0.331	5		HPL front
	2000	434	1129	ZS03		114.2	0.331	5		MFC front
	428	385	403	ZSZ01		10.2	0.075	1		additional drawer for storage ZS01, ZS02, ZS03

DESCRIPTION

- NET WEIGHT

VOLUME

NUMBER OF PACKAGES



TECHNICAL SPECIFICATION

COLOURS

TOP, BOTTOM



14 BEECH



26 ALUMINUM SATINATO



31 CANADIAN OAK



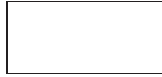
34 CHESTNUT



39 POLAR BIRCH



64 COCOA



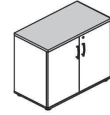
67 WHITE PASTEL



106 LOWLAND NUT



154 ANTHRACITE



FRONT



14 BEECH



26 ALUMINUM SATINATO



31 CANADIAN OAK



34 CHESTNUT



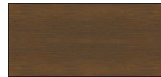
39 POLAR BIRCH



64 COCOA



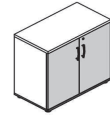
67 WHITE PASTEL



106 LOWLAND NUT



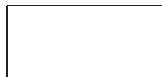
154 ANTHRACITE



BODY - FIRST GROUP



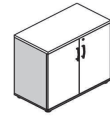
26 ALUMINUM SATINATO



67 WHITE PASTEL



154 ANTHRACITE



BODY - SECOND GROUP



14 BEECH



31 CANADIAN OAK



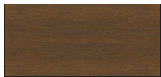
34 CHESTNUT



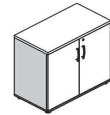
39 POLAR BIRCH



64 COCOA

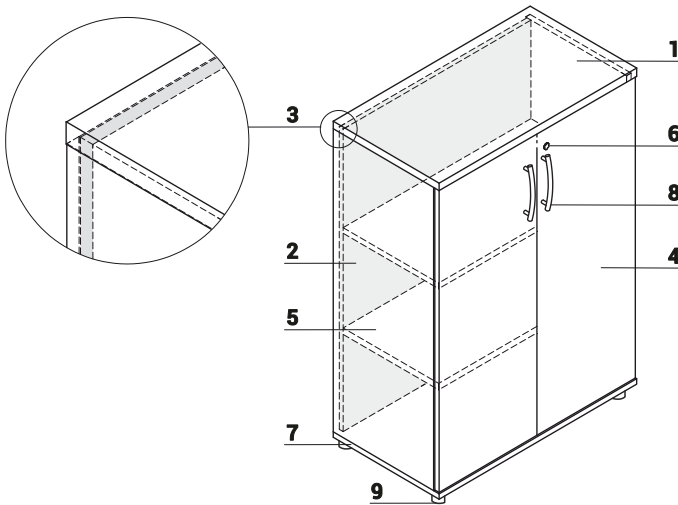


106 LOWLAND NUT



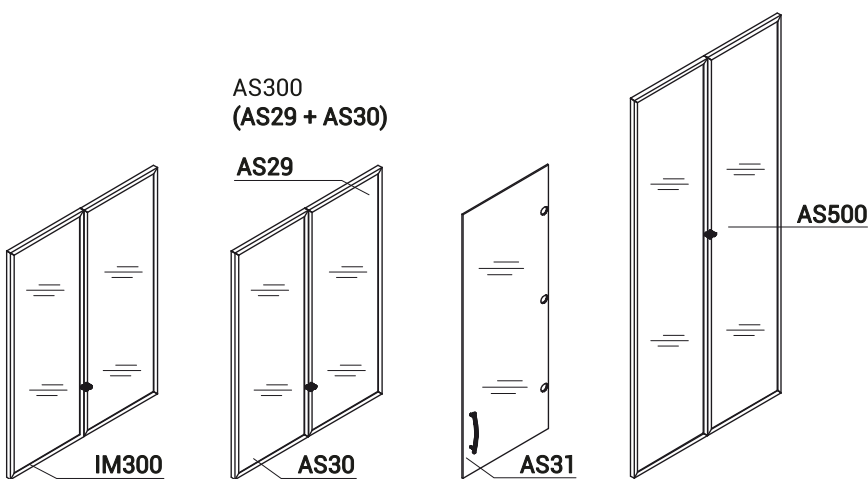
TECHNICAL SPECIFICATION

STORAGES



- 1. **Top** - MFC 28mm, PVC edge
- 2. **Side panels** - MFC 18mm, PVC edge
- 3. **Back MFC** - 18mm, PVC edges
- 4. **Front** - MFC 18 mm, PVC edges, plain hinge 110°
- 5. **Shelf** - MFC 18mm, PVC edge
- 6. Patent lock
- 7. **Base** - MFC 18mm, PVC edge
- 8. Aluminium handle
- 9. **Leveling feet 27mm** - range 12mm

ADDITIONAL ELEMENTS FOR STORAGE



- IM300** - glass door 3OH
- transparent tempered glass 4mm, with aluminium frame
- AS300 (AS29+AS30)**
- AS29** - Glass door 3OH
- frosted tempered glass 4mm, with aluminum frame
- Right
- AS30** - Glass door 3OH
- frosted tempered glass 4mm, with aluminum frame
- Left
- AS31** - Glass door 3OH
- transparent tempered glass 4mm
- universal (left,right)
- AS500** - Glass door 5OH
- transparent tempered glass 4mm, with aluminium frame

PRODUCT ILLUSTRATION	DIMENSIONS [mm]			INDEX SYMBOL						COMMENTS
	WIDTH	DEPTH	HEIGHT			kg	m3	pcs		
<b>60H STORAGEES 800 mm WIDE</b>										
	801	432	2185	<b>A6504</b>		67.0	0.167	2		
	801	432	2185	<b>A6104</b>		88.0	0.224	3		OPTIONAL: espagnolette lock - additional fee
<b>60H STORAGEES 1000 mm WIDE</b>										
	1000	432	2185	<b>A6505</b>		86.0	0.184	2		
	1000	432	2185	<b>A6105</b>		112.0	0.255	3		espagnolette lock
<b>60H STORAGEES 1200 mm WIDE</b>										
	1200	432	2185	<b>A6506</b>		98.0	0.219	2		
	1200	432	2185	<b>A6106</b>		128.0	0.303	3		espagnolette lock

DESCRIPTION

- NET WEIGHT

VOLUME

NUMBER OF PACKAGES

PRODUCT ILLUSTRATION	DIMENSIONS [mm]			INDEX SYMBOL						COMMENTS
	WIDTH	DEPTH	HEIGHT			kg	m3	pcs		
<b>50H STORAGES 400 mm WIDE</b>										
	402	432	1833	<b>A5902</b>		38.0	0.083	2		
	402	432	1833	<b>A58P2</b>		40.0	0.096	2		right door
	402	432	1833	<b>A56P2</b>		45.0	0.096	2		right door, OPTIONAL: espagnolette lock - additional fee
<b>50H STORAGES 800 mm WIDE</b>										
	801	432	1833	<b>A5504</b>		58.0	0.167	2		
	801	432	1833	<b>A5404</b>		65.0	0.187	3		
	801	432	1833	<b>A5304</b>		69.3	0.194	3		
	801	432	1833	<b>A5104</b>		76.7	0.209	3		OPTIONAL: espagnolette lock - additional fee
<b>50H STORAGES 1000 mm WIDE</b>										
	1000	432	1833	<b>A5505</b>		74.0	0.159	2		
	1000	432	1833	<b>A5105</b>		95.0	0.219	3		espagnolette lock

DESCRIPTION

- NET WEIGHT

VOLUME

NUMBER OF PACKAGES

PRODUCT ILLUSTRATION	DIMENSIONS [mm]			INDEX SYMBOL						COMMENTS
	WIDTH	DEPTH	HEIGHT			kg	m3	pcs		

**50H STORAGES 1200 mm WIDE**

	1200	432	1833	<b>A5506</b>		83.0	0.185	2		
	1200	432	1833	<b>A5106</b>		108.0	0.256	3		espagnolette lock

**40H STORAGES 800 mm WIDE**

	801	432	1481	<b>A4504</b>		47.0	0.114	2		
	801	432	1481	<b>A4404</b>		54.0	0.134	3		
	801	432	1481	<b>A4304</b>		58.3	0.140	3		
	801	432	1481	<b>A4104</b>		60.0	0.147	3		

**40H STORAGE 1200 mm WIDE**

	1200	432	1481	<b>A4506</b>		59.0	0.167	2		
--	------	-----	------	--------------	--	------	-------	---	--	--

DESCRIPTION

- NET WEIGHT

VOLUME

NUMBER OF PACKAGES

PRODUCT ILLUSTRATION	DIMENSIONS [mm]			INDEX SYMBOL						COMMENTS
	WIDTH	DEPTH	HEIGHT			kg	m3	pcs		

### 3OH STORAGES 400 mm WIDE

	402	432	1129	<b>A3902</b>		24.0	0.059	2		
	402	432	1129	<b>A38P2</b>		28.0	0.063	2		right door
	402	432	1129	<b>A36P2</b>		29.0	0.064	2		right door

### 3OH STORAGES 800 mm WIDE

	801	432	1129	<b>A3504</b>		37.0	0.091	2		
	801	432	1129	<b>A3404</b>		40.0	0.109	3		
	801	432	1129	<b>A3104</b>		44.3	0.116	3		

### 3OH STORAGES 1000 mm WIDE

	1000	432	1129	<b>A3505</b>		48.0	0.100	2		
	1000	432	1129	<b>A3105</b>		61.0	0.138	3		




DESCRIPTION

- NET WEIGHT


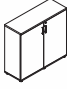
VOLUME

NUMBER OF PACKAGES




PRODUCT ILLUSTRATION	DIMENSIONS [mm]			INDEX SYMBOL						COMMENTS
	WIDTH	DEPTH	HEIGHT			kg	m3	pcs		

**30H STORAGES 1200 mm WIDE**

	1200	432	1129	<b>A3506</b>		54.0	0.119	2		
	1200	432	1129	<b>A3106</b>		69.0	0.164	3		

**30H STORAGE 1600 mm WIDE**

	1600	432	1129	<b>A3508</b>		69.0	0.147	2		
---	------	-----	------	--------------	--	------	-------	---	--	--

DESCRIPTION

 - NET WEIGHT

 VOLUME

 NUMBER OF PACKAGES

PRODUCT ILLUSTRATION	DIMENSIONS [mm]			INDEX SYMBOL						COMMENTS
	WIDTH	DEPTH	HEIGHT			kg	m3	pcs		

20H STORAGEES

	402	432	777	<b>A2902</b>		18.0	0.041	2		
	402	432	777	<b>A26P2</b>		21.0	0.048	2		right door
	801	432	777	<b>A2504</b>		28.0	0.071	2		
	801	432	777	<b>A2104</b>		35.0	0.091	3		
	1200	432	777	<b>A2506</b>		43.0	0.104	2		
	1600	432	777	<b>A2508</b>		51.0	0.118	2		
	801	432	740	<b>A25B4</b>		27.0	0.071	2		
	801	432	740	<b>A21B4</b>		33.5	0.090	3		

DESCRIPTION

- NET WEIGHT

VOLUME

NUMBER OF PACKAGES

PRODUCT ILLUSTRATION	DIMENSIONS [mm]			INDEX SYMBOL						COMMENTS
	WIDTH	DEPTH	HEIGHT			kg	m3	pcs		

**2 OH STACK-ON STORAGES**

	402	432	750	<b>A1902</b>		18.0	0.041	2		
	402	432	750	<b>A16P2</b>		21.0	0.048	2		right door
	801	432	750	<b>A1504</b>		23.0	0.052	2		
	801	432	750	<b>A1104</b>		30.0	0.072	3		

**PRINTER STORAGE**

	710	600	600	<b>S85</b>		32.0	0.066	1		under printer storage, all in 26-aluminum satinato or 67-white pastel or 154-anthracite
--	-----	-----	-----	------------	--	------	-------	---	--	--

DESCRIPTION

- NET WEIGHT

VOLUME

NUMBER OF PACKAGES

PRODUCT ILLUSTRATION	DIMENSIONS [mm]			INDEX SYMBOL						COMMENTS
	WIDTH	DEPTH	HEIGHT			kg	m3	pcs		
<b>ADDITIONAL ELEMENTS FOR STORAGE</b>										
	397	5	1050	<b>AS31</b>		6.5	0.034	1		universal glass door (1pcs) 3OH, transparent tempered glass
	397	20	1050	<b>AS29</b>		5.0	0.022	1		right glass door (1pcs) 3OH with aluminum frame, frosted tempered glass
	397	20	1050	<b>AS30</b>		5.0	0.022	1		left glass door (1pcs) 3OH aluminum frame, frosted tempered glass
	800	20	1050	<b>AS300</b>		10.3	0.037	1		glass doors (2pcs) 3OH aluminum frame, frosted tempered glass
	800	20	1050	<b>IM300</b>		10.0	0.039	1		glass doors (2pcs) 3OH aluminum frame, transparent tempered glass
	800	20	1754	<b>AS500</b>		16.0	0.065	1		glass doors (2pcs) 5OH aluminum frame, transparent tempered glass

DESCRIPTION

- NET WEIGHT

VOLUME

NUMBER OF PACKAGES

TECHNICAL SPECIFICATION

COLOURS

TOP, BOTTOM



14 BEECH



26 ALUMINUM SATINATO



31 CANADIAN OAK



34 CHESTNUT



39 POLAR BIRCH



64 COCOA



67 WHITE PASTEL



106 LOWLAND NUT



154 ANTHRACITE



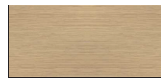
FRONT



14 BEECH



26 ALUMINUM SATINATO



31 CANADIAN OAK



34 CHESTNUT



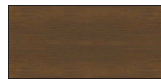
39 POLAR BIRCH



64 COCOA



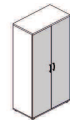
67 WHITE PASTEL



106 LOWLAND NUT



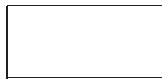
154 ANTHRACITE



BODY - FIRST GROUP



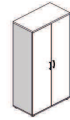
26 ALUMINUM SATINATO



67 WHITE PASTEL



154 ANTHRACITE



BODY - SECOND GROUP



14 BEECH



31 CANADIAN OAK



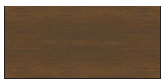
34 CHESTNUT



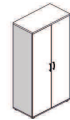
39 POLAR BIRCH



64 COCOA

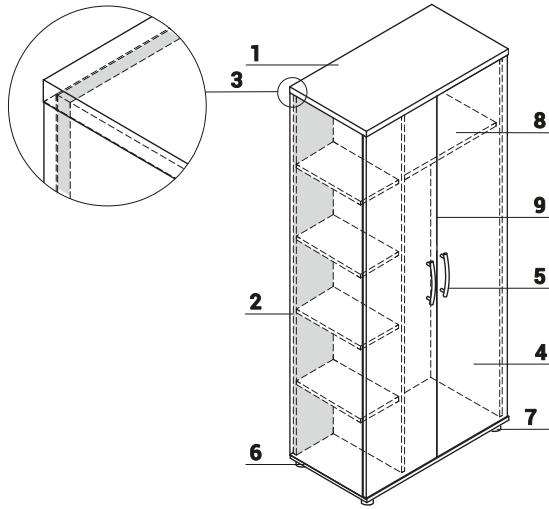


106 LOWLAND NUT



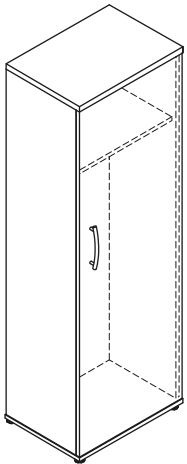
TECHNICAL SPECIFICATION

WARDROBES

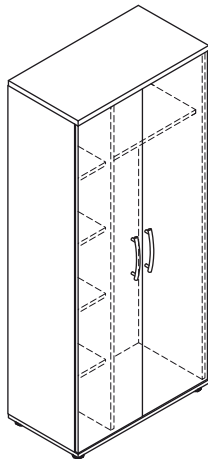


1. **Top** - MFC 28mm, PVC edge
2. **Side panels** - MFC 18mm, PVC edge
3. **Back MFC** - 18mm, PVC edges
4. **Front** - MFC 18 mm, PVC edges, plain hinge 110°
5. Aluminium handle
6. **Base** - MFC 18mm, PVC edge
7. **Leveling feet 27mm** - range 12mm
8. **Shelf** - MFC 18mm, PVC edge
9. **Option with additional charge** - espagnolette lock

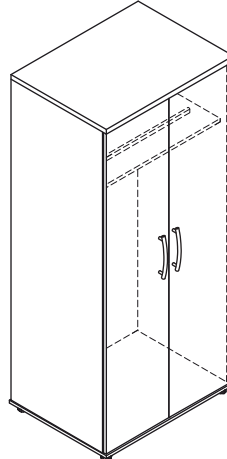
A57P3\*\*



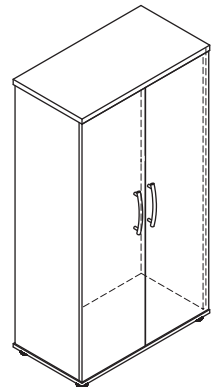
A52P4\*\*



A6204\*



A4204\*\*



\* Coat rod \*\* Slide-out hanger

PRODUCT ILLUSTRATION	DIMENSIONS [mm]			INDEX SYMBOL						COMMENTS
	WIDTH	DEPTH	HEIGHT			kg	m3	pcs		

**WARDROBES**

	602	432	1833	<b>A57P3</b>		52.0	0.135	2		wardrobe with slide out hanger; OPTIONAL: espagnolette lock
	801	600	1833	<b>A6204</b>		72.0	0.191	3		wardrobe with coat rod, OPTIONAL: espagnolette lock
	801	432	1833	<b>A52P4</b>		76.0	0.215	3		wardrobe with slide out hanger, 4 OH; OPTIONAL: espagnolette lock
	802	432	1481	<b>A4204</b>		50.0	0.122	3		wardrobe with slide out hanger; OPTIONAL: espagnolette lock

**2 OH STACK-ON STORAGES**

	602	432	750	<b>A16P3</b>		27.0	0.067	2		
--	-----	-----	-----	--------------	--	------	-------	---	--	--

DESCRIPTION

- NET WEIGHT

VOLUME

NUMBER OF PACKAGES





## TECHNICAL SPECIFICATION

### COLOURS

#### TOP, BOTTOM



14 BEECH



26 ALUMINUM SATINATO



31 CANADIAN OAK



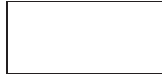
34 CHESTNUT



39 POLAR BIRCH



64 COCOA



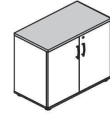
67 WHITE PASTEL



106 LOWLAND NUT



154 ANTHRACITE



#### FRONT



14 BEECH



26 ALUMINUM SATINATO



31 CANADIAN OAK



34 CHESTNUT



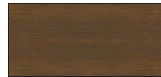
39 POLAR BIRCH



64 COCOA



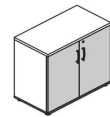
67 WHITE PASTEL



106 LOWLAND NUT



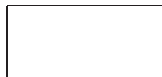
154 ANTHRACITE



#### BODY - FIRST GROUP



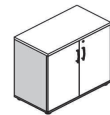
26 ALUMINUM SATINATO



67 WHITE PASTEL



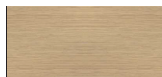
154 ANTHRACITE



#### BODY - SECOND GROUP



14 BEECH



31 CANADIAN OAK



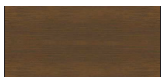
34 CHESTNUT



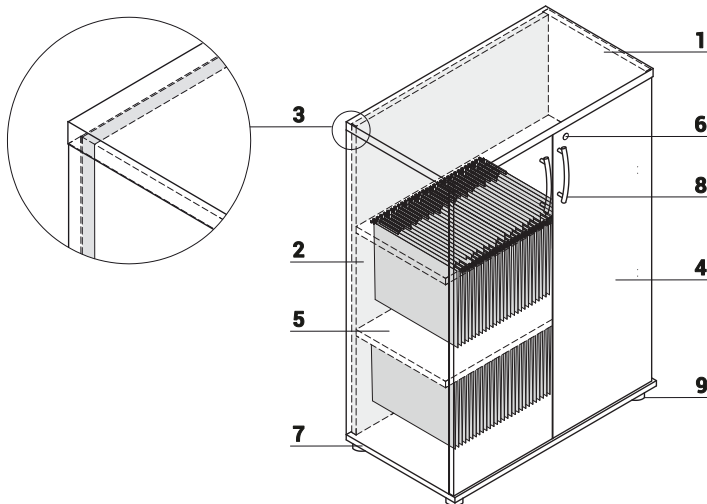
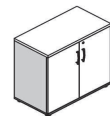
39 POLAR BIRCH



64 COCOA



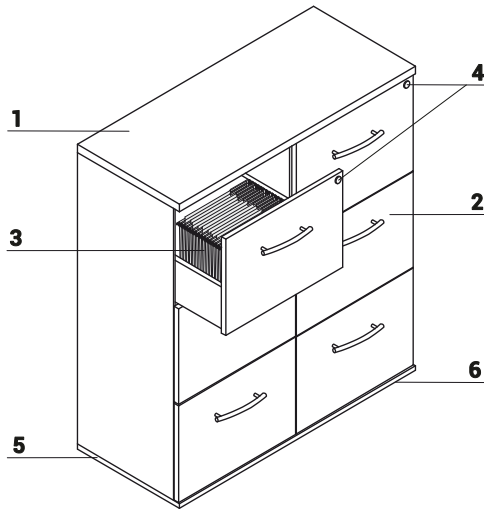
106 LOWLAND NUT



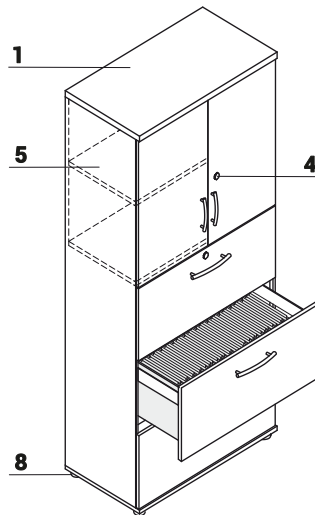
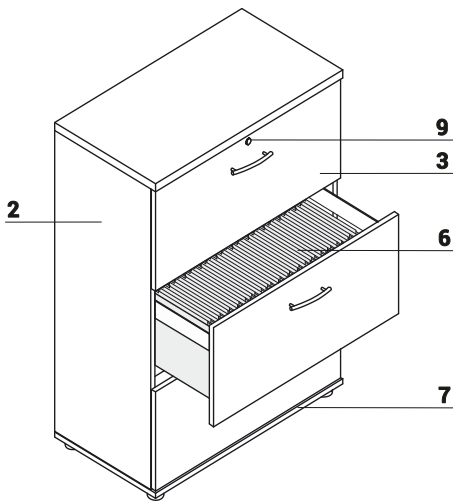
1. **Top** - MFC 28mm, PVC edge
2. **Side panels** - MFC 18mm, PVC edge
3. **Back MFC** - 18mm, PVC edges
4. **Front** - MFC 18 mm, PVC edges, plain hinge 110°
5. Metal shelf with possibility of using suspension files, max load 41kg, color 09 - aluminium
6. Patent lock
7. **Base** - MFC 18mm, PVC edge
8. Aluminium handle
9. **Leveling feet** 27mm - range 12mm

TECHNICAL SPECIFICATION

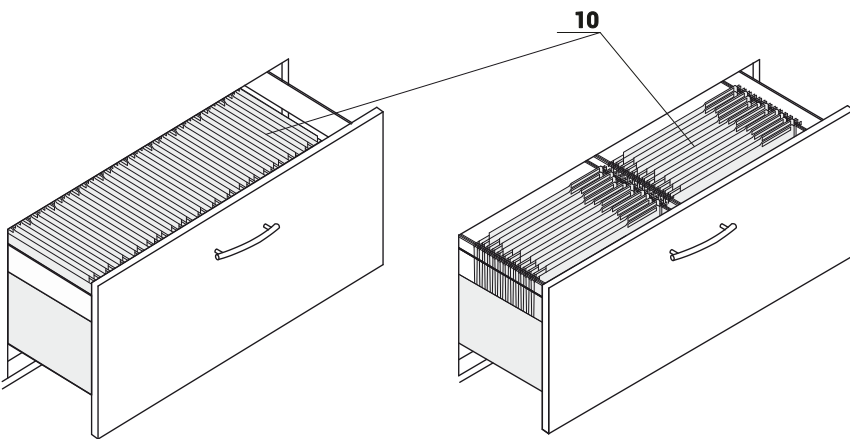
STORAGES AND FILING CABINETS WITH METAL SHELVES



- 1. **Top** - MFC 28mm, PVC edge
- 2. **Front** - MFC 18mm, PVC edge
- 3. **Suspension files drawer** - MFC 18mm, ball runners, max load 45kg, 100% extraction
- 4. **Central lock** - foldable key
- 5. **Base** - MFC 18mm, PVC edge
- 6. **Leveling feet 27mm** - range 12mm



- 1. **Top** - MFC 28mm, PVC edge
- 2. **Side panels** - MFC 18mm, PVC edge
- 3. **Front** - MFC 18 mm, PVC edges, plain hinge 110°
- 4. Patent lock
- 5. **Shelf** - MFC 18mm, PVC edge
- 6. **Suspension files drawer** - metal frame, ball runners, max load 55kg, 100% extraction
- 7. **Base** - MFC 18mm, PVC edge
- 8. **Leveling feet 27mm** - range 12mm
- 9. Espagnolet lock
- 10. Possibility to place suspension files of A4 size



PRODUCT ILLUSTRATION	DIMENSIONS [mm]			INDEX SYMBOL						COMMENTS
	WIDTH	DEPTH	HEIGHT			kg	m3	pcs		

## STORAGES AND FILING CABINETS WITH METAL SHELVES

	801	432	1129	<b>A3504TM</b>		36.0	0.091	2		3 metal shelves
	801	432	1129	<b>A3104TM</b>		47.3	0.118	3		2 metal shelves
	1000	432	1129	<b>A3505TM</b>		39.0	0.100	2		2 metal shelves
	1000	432	1129	<b>A3105TM</b>		52.0	0.138	3		2 metal shelves
	1200	432	1129	<b>A3506TM</b>		46.0	0.127	2		2 metal shelves
	1200	432	1129	<b>A3106TM</b>		61.0	0.172	3		2 metal shelves
	801	432	1833	<b>A5504TM</b>		55.0	0.167	2		4 metal shelves
	801	432	1833	<b>A5104TM</b>		72.0	0.215	3		4 metal shelves, espagnolette lock
	1000	432	1833	<b>A5505TM</b>		59.0	0.158	2		4 metal shelves

DESCRIPTION

- NET WEIGHT

VOLUME

NUMBER OF PACKAGES

PRODUCT ILLUSTRATION	DIMENSIONS [mm]			INDEX SYMBOL						COMMENTS
	WIDTH	DEPTH	HEIGHT			kg	m3	pcs		

**STORAGES AND FILING CABINETS WITH METAL SHELVES**

	1000	432	1833	<b>A5105TM</b>		80.0	0.218	3		4 metal shelves, espagnolette lock
	1200	432	1833	<b>A5506TM</b>		66.0	0.218	2		4 metal shelves
	1200	432	1833	<b>A5106TM</b>		91.0	0.289	3		4 metal shelves, espagnolette lock

**FILING DRAWERS CABINETS**

	801	432	1129	<b>A3F04</b>		52.7	0.421	1		suspension file drawers without - open bottom
	1000	432	1129	<b>A6F04</b>		87.0	0.528	1		suspension file drawers with bottom
	801	432	1833	<b>A54B4</b>		74.1	0.684	1		suspension file drawers without - open bottom
	801	432	1833	<b>A54C4</b>		70.5	0.684	1		suspension file drawers without - open bottom

DESCRIPTION

- NET WEIGHT

VOLUME

NUMBER OF PACKAGES

## TECHNICAL SPECIFICATION

### COLOURS

#### TOP, BOTTOM



14 BEECH


 26 ALUMINUM  
SATINATO


31 CANADIAN OAK



34 CHESTNUT



39 POLAR BIRCH



64 COCOA



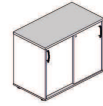
67 WHITE PASTEL



106 LOWLAND NUT



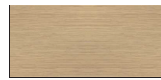
154 ANTHRACITE



#### FRONT



14 BEECH


 26 ALUMINUM  
SATINATO


31 CANADIAN OAK



34 CHESTNUT



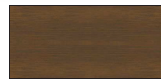
39 POLAR BIRCH



64 COCOA



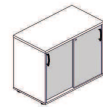
67 WHITE PASTEL



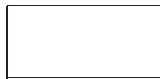
106 LOWLAND NUT



154 ANTHRACITE



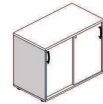
#### BODY - FIRST GROUP


 26 ALUMINUM  
SATINATO


67 WHITE PASTEL



154 ANTHRACITE



#### BODY - SECOND GROUP



14 BEECH



31 CANADIAN OAK



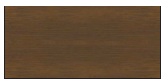
34 CHESTNUT



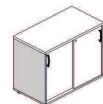
39 POLAR BIRCH



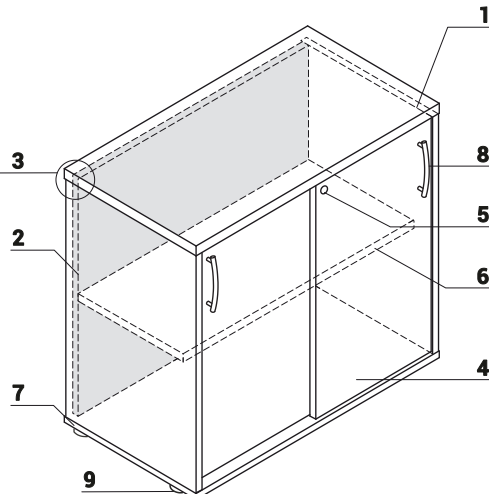
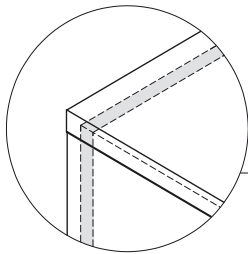
64 COCOA



106 LOWLAND NUT



### SLIDING DOOR STORAGES



1. **Top** - MFC 28mm, PVC edge
2. **Side panels** - MFC 18mm, PVC edge
3. **Back MFC** - 18mm, PVC edges
4. **Sliding front** - MFC 18mm, PVC edge
5. Patent lock
6. **Shelf** - MFC 18mm, PVC edge
7. **Base** - MFC 18mm, PVC edge
8. Aluminium handle
9. **Leveling feet 27mm** - range 12mm
10. **Option with additional charge** - soft-closing system

PRODUCT ILLUSTRATION	DIMENSIONS [mm]			INDEX SYMBOL						COMMENTS
	WIDTH	DEPTH	HEIGHT			kg	m3	pcs		

**SLIDING DOOR STORAGES**

	800	432	740	<b>A2P04</b>		35.0	0.092	3		
	1000	432	740	<b>A2P05</b>		40.5	0.109	3		
	1200	432	740	<b>A2P06</b>		41.0	0.120	3		
	1600	432	740	<b>A2P08</b>		64.0	0.152	3		
	1610	432	740	<b>A2P16</b>		64.0	0.154	3		
	800	432	1129	<b>A3P04</b>		48.0	0.126	3		
	1000	432	1129	<b>A3P05</b>		61.0	0.146	3		
	1200	432	1129	<b>A3P06</b>		75.0	0.174	3		
	1600	432	1129	<b>A3P08</b>		89.0	0.230	3		

DESCRIPTION

- NET WEIGHT

VOLUME

NUMBER OF PACKAGES

PRODUCT ILLUSTRATION	DIMENSIONS [mm]			INDEX SYMBOL						COMMENTS
	WIDTH	DEPTH	HEIGHT			kg	m3	pcs		

## SLIDING DOOR STORAGES

	1610	432	1129	<b>A3P16</b>		89.0	0.234	3		
	800	432	1481	<b>A4P04</b>		60.0	0.158	3		
	1000	432	1481	<b>A4P05</b>		77.0	0.183	3		
	1200	432	1481	<b>A4P06</b>		89.0	0.218	3		
	800	432	1833	<b>A5P04</b>		73.0	0.205	3		
	1000	432	1833	<b>A5P05</b>		92.0	0.219	3		
	1200	432	1833	<b>A5P06</b>		103.0	0.260	3		

## TAMBOUR STACK-ON STORAGE

	1200	432	750	<b>A1P06</b>		52.0	0.124	3		stack-on storage storage
--	------	-----	-----	--------------	--	------	-------	---	--	--------------------------

DESCRIPTION

- NET WEIGHT

VOLUME

NUMBER OF PACKAGES





## TECHNICAL SPECIFICATION

### COLOURS

#### TOP, BOTTOM



14 BEECH



26 ALUMINUM  
SATINATO



31 CANADIAN OAK



34 CHESTNUT



39 POLAR BIRCH



64 COCOA



67 WHITE PASTEL



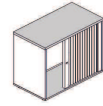
106 LOWLAND NUT



154 ANTHRACITE



08 BLACK



#### FRONT - TAMBOUR



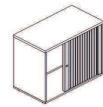
08 BLACK



09 ALUMINUM



30 WHITE



#### BODY - FIRST GROUP



26 ALUMINUM  
SATINATO



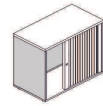
67 WHITE PASTEL



154 ANTHRACITE



08 BLACK



#### BODY - SECOND GROUP



14 BEECH



31 CANADIAN OAK



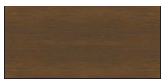
34 CHESTNUT



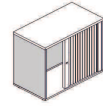
39 POLAR BIRCH



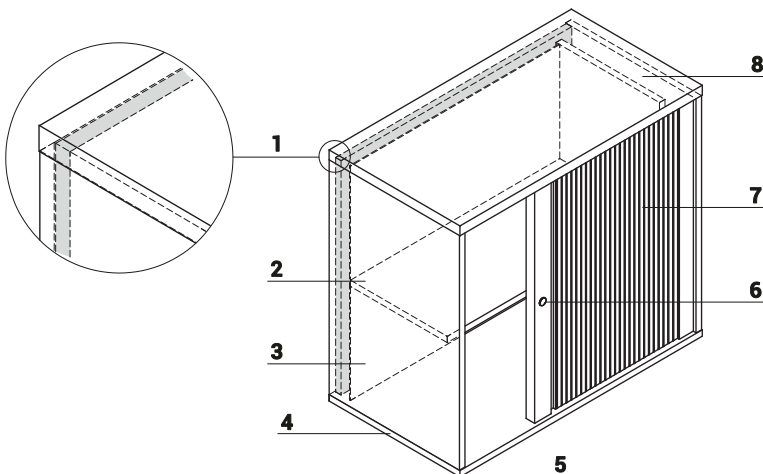
64 COCOA



106 LOWLAND NUT



## TAMBOUR STORAGES



1. **Back MFC** - 18mm, PVC edges
2. **Shelf** - MFC 18mm, PVC edge
3. **Side panels** - MFC 18mm, PVC edge
4. **Base** - MFC 18mm, PVC edge
5. **Leveling feet 27mm** - range 12mm
6. Patent lock
7. **Front** - tambour
8. **Top** - MFC 28mm, PVC edge

PRODUCT ILLUSTRATION	DIMENSIONS [mm]			INDEX SYMBOL						COMMENTS
	WIDTH	DEPTH	HEIGHT			kg	m3	pcs		

**TAMBOUR STORAGES**

	800	432	740	<b>A2L04</b>		32.6	0.303	1		
	1000	432	740	<b>A2L05</b>		43.0	0.392	1		
	1200	432	740	<b>A2L06</b>		46.5	0.464	1		
	1600	432	740	<b>A2L08</b>		56.0	0.615	1		
	1610	432	740	<b>A2L16</b>		56.0	0.619	1		
	800	432	1129	<b>A3L04</b>		56.0	0.453	1		
	1000	432	1129	<b>A3L05</b>		58.0	0.563	1		
	1200	432	1129	<b>A3L06</b>		64.4	0.673	1		
	1600	432	1129	<b>A3L08</b>		77.0	0.894	1		

DESCRIPTION

- NET WEIGHT

VOLUME

NUMBER OF PACKAGES

PRODUCT ILLUSTRATION	DIMENSIONS [mm]			INDEX SYMBOL						COMMENTS
	WIDTH	DEPTH	HEIGHT			kg	m3	pcs		

**TAMBOUR STORAGES**

	1610	432	1129	<b>A3L16</b>		77.0	0.900	1		
	800	432	1481	<b>A4L04</b>		42.0	0.591	1		
	1000	432	1481	<b>A4L05</b>		70.0	0.713	2		
	1200	432	1481	<b>A4L06</b>		78.0	0.853	2		

DESCRIPTION

- NET WEIGHT

VOLUME

NUMBER OF PACKAGES



TECHNICAL SPECIFICATION

COLOURS

TOP, BOTTOM



14 BEECH



26 ALUMINUM SATINATO



31 CANADIAN OAK



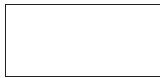
34 CHESTNUT



39 POLAR BIRCH



64 COCOA



67 WHITE PASTEL



106 LOWLAND NUT



154 ANTHRACITE



FRONT



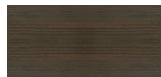
14 BEECH



26 ALUMINUM SATINATO



31 CANADIAN OAK



34 CHESTNUT



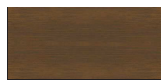
39 POLAR BIRCH



64 COCOA



67 WHITE PASTEL



106 LOWLAND NUT



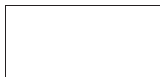
154 ANTHRACITE



BODY - FIRST GROUP



26 ALUMINUM SATINATO



67 WHITE PASTEL



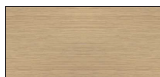
154 ANTHRACITE



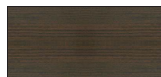
BODY - SECOND GROUP



14 BEECH



31 CANADIAN OAK



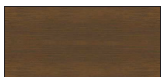
34 CHESTNUT



39 POLAR BIRCH



64 COCOA

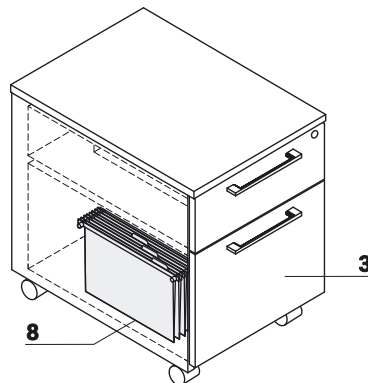
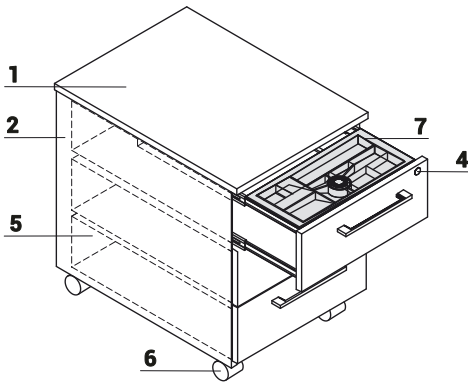


106 LOWLAND NUT

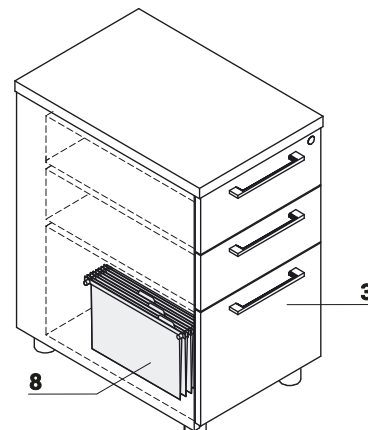
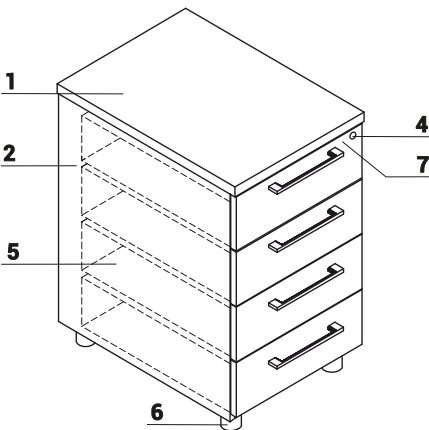


TECHNICAL SPECIFICATION

IKDT PEDESTALS



1. **Top** - MFC 18mm, PVC edge
2. **Body** - MFC 18mm, PVC edge
3. **Front** - MFC 18mm,PVC edge
4. **Central lock** - foldable key
5. **Metal drawer** - roll runners, max load 25kg, 80% extraction; Anti - tilt mechanism; OPTIONAL: ball runners, soft closing
6. **Castors** - Ø50mm, two with brakes
7. **Pencil tray** - black plastic
8. **Suspension files drawer** - ball runners, max load 30kg, 100% extraction



1. **Top** - MFC 28mm, PVC edge
2. **Body** - MFC 18mm, PVC edge
3. **Front** - MFC 18mm,PVC edge
4. **Central lock** - foldable key
5. **Metal drawer** - roll runners, max load 25kg, 80% extraction; Anti - tilt mechanism; OPTIONAL: ball runners, soft closing
6. **Leveling** - 5mm range
7. **Pencil tray** - black plastic
8. **Suspension files drawer** - ball runners, max load 30kg, 100% extraction

PRODUCT ILLUSTRATION	DIMENSIONS [mm]			INDEX SYMBOL						COMMENTS
	WIDTH	DEPTH	HEIGHT			kg	m3	pcs		
	402	600	586	<b>IKDT12</b>		30.0	0.151	1		mobile with suspension files drawer, drawers depth – 500mm
	402	600	586	<b>IKDT13</b>		23.0	0.151	1		mobile; drawers depth – 500mm
	402	800	586	<b>IKDT120</b>		26.0	0.198	1		mobile; drawers depth: standard – 500mm, file – 700mm
	402	800	586	<b>IKDT130</b>		27.0	0.198	1		mobile; drawers depth – 500mm
	402	600	740	<b>IKDT63</b>		27.0	0.211	1		file drawer; drawers depth – 500mm
	402	600	740	<b>IKDT64</b>		28.0	0.193	1		drawers depth – 500mm
	402	800	740	<b>IKDT73</b>		32.0	0.255	1		file drawer; drawers depth: standard – 500mm, file – 700mm
	402	800	740	<b>IKDT74</b>		33.0	0.255	1		drawers depth – 500mm

DESCRIPTION

- NET WEIGHT

VOLUME

NUMBER OF PACKAGES





TECHNICAL SPECIFICATION

COLOURS

TOP, BOTTOM



14 BEECH



26 ALUMINUM SATINATO



31 CANADIAN OAK



34 CHESTNUT



39 POLAR BIRCH



64 COCOA



67 WHITE PASTEL



106 LOWLAND NUT



154 ANTHRACITE



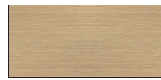
FRONT



14 BEECH



26 ALUMINUM SATINATO



31 CANADIAN OAK



34 CHESTNUT



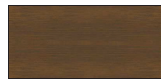
39 POLAR BIRCH



64 COCOA



67 WHITE PASTEL



106 LOWLAND NUT



154 ANTHRACITE



BODY - FIRST GROUP



26 ALUMINUM SATINATO



67 WHITE PASTEL



154 ANTHRACITE



BODY - SECOND GROUP



14 BEECH



31 CANADIAN OAK



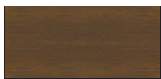
34 CHESTNUT



39 POLAR BIRCH



64 COCOA

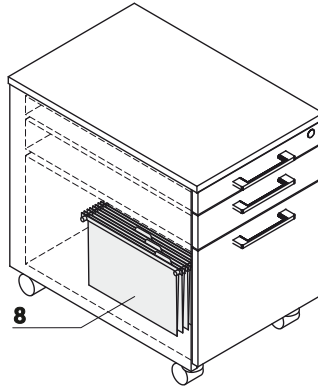
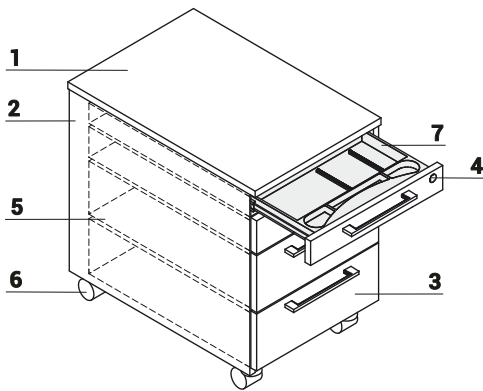


106 LOWLAND NUT

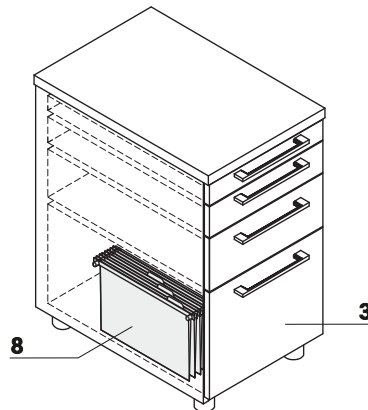
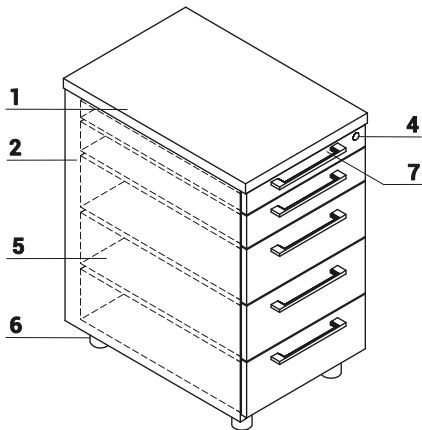


TECHNICAL SPECIFICATION

IKRT PEDESTALS



1. **Top** - MFC 18mm, PVC edge
2. **Body** - MFC 18mm, PVC edge
3. **Front** - MFC 18mm,PVC edge
4. **Central lock** - foldable key
5. **Metal drawer** - roll runners, max load 25kg, 80% extraction; Anti - tilt mechanism; OPTIONAL: ball runners, soft closing
6. **Castors** - Ø50mm, two with brakes
7. **Separate pencil drawer**
8. **Suspension files drawer** - ball runners, max load 30kg, 100% extraction



1. **Top** - MFC 28mm, PVC edge
2. **Body** - MFC 18mm, PVC edge
3. **Front** - MFC 18mm,PVC edge
4. **Central lock** - foldable key
5. **Metal drawer** - roll runners, max load 25kg, 80% extraction; Anti - tilt mechanism; OPTIONAL: ball runners, soft closing
6. **Leveling** - 5mm range
7. **Separate pencil drawer**
8. **Suspension files drawer** - ball runners, max load 30kg, 100% extraction

PRODUCT ILLUSTRATION	DIMENSIONS [mm]			INDEX SYMBOL						COMMENTS
	WIDTH	DEPTH	HEIGHT			kg	m3	pcs		
	402	600	586	IKRT12		31.0	0.151	1		mobile with suspension files drawer; drawers depth – 500mm
	402	600	586	IKRT13		24.0	0.151	1		mobile; drawers depth – 500mm
	402	800	586	IKRT120		27.0	0.198	1		mobile with suspension files drawer; drawers depth: standard – 500mm, file – 700mm
	402	800	586	IKRT130		28.0	0.198	1		mobile; drawers depth – 500mm
	402	600	740	IKRT63		28.0	0.211	1		file drawer; drawers depth – 500mm
	402	600	740	IKRT64		29.0	0.211	1		drawers depth – 500mm
	402	800	740	IKRT73		33.0	0.255	1		file drawer; drawers depth: standard – 500mm, file – 700mm
	402	800	740	IKRT74		34.0	0.255	1		drawers depth – 500mm

DESCRIPTION

- NET WEIGHT

VOLUME

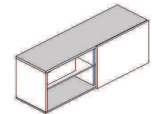
NUMBER OF PACKAGES



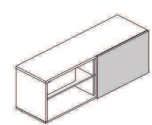
TECHNICAL SPECIFICATION

COLOURS

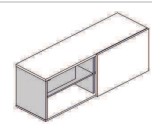
TOP, BOTTOM



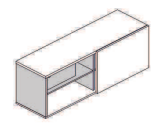
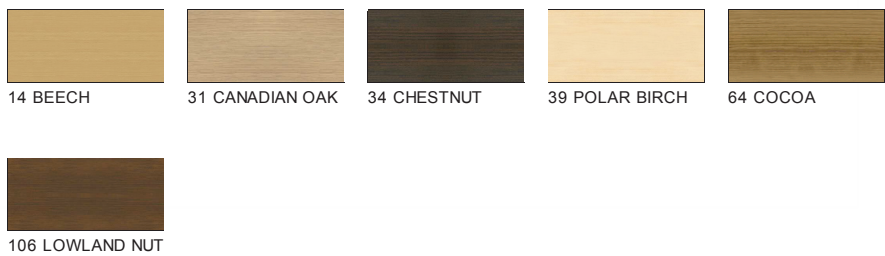
FRONT



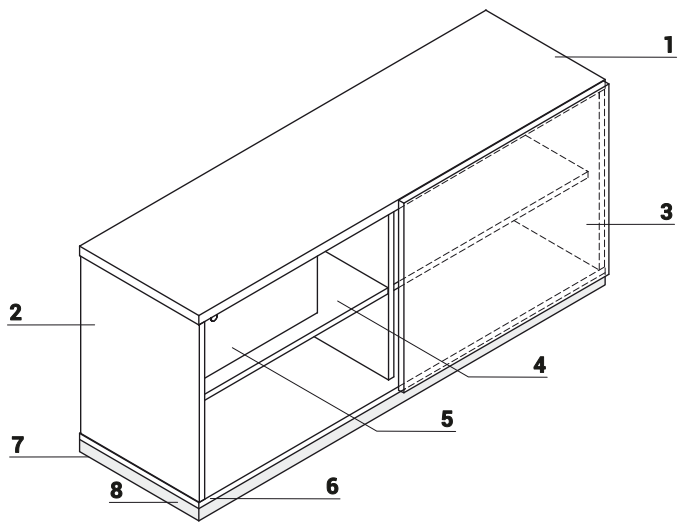
BODY - FIRST GROUP



BODY - SECOND GROUP



MANAGERIAL STORAGE



1. **Top** - MFC 28mm, PVC edge
2. **Side panels** - MFC 18mm, PVC edge
3. **Front** - MFC 18mm, PVC edge
4. **Shelf** - MFC 18mm, PVC edge
5. **Drawer** - MFC 18mm, PVC edge, lock - possible to change location
6. **Base** - MFC 18mm, PVC edge
7. **Leveling feet** - range 5mm
8. **Option with additional charge** - metal base - color 09 aluminium

PRODUCT ILLUSTRATION	DIMENSIONS [mm]			INDEX SYMBOL						COMMENTS
	WIDTH	DEPTH	HEIGHT			kg	m3	pcs		

**MANAGERIAL STORAGES**

	1400	432	600	<b>IA14M</b>		60.5	0.173	5		
--	------	-----	-----	--------------	--	------	-------	---	--	--

DESCRIPTION

- NET WEIGHT

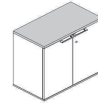
VOLUME

NUMBER OF PACKAGES

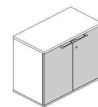
TECHNICAL SPECIFICATION

COLOURS

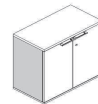
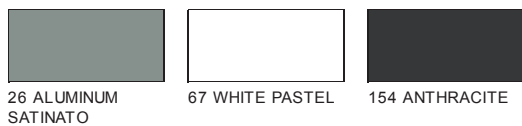
TOP, BOTTOM



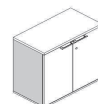
FRONT



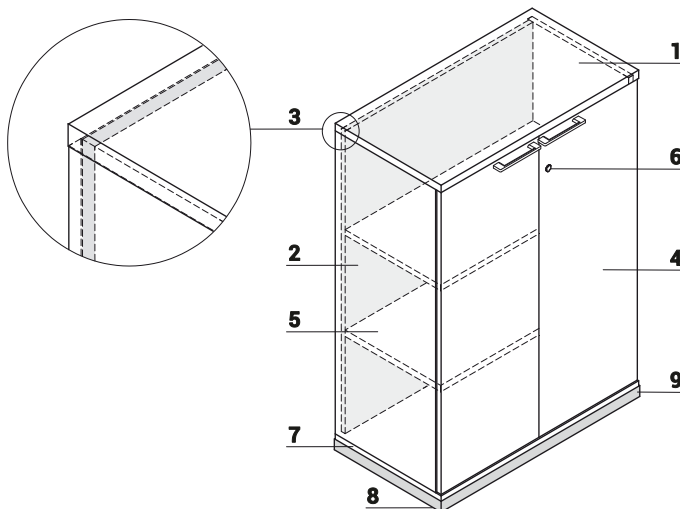
BODY - FIRST GROUP



BODY - SECOND GROUP



STORAGES



1. Top - MFC 28mm, PVC edge
2. Side panels - MFC 18mm, PVC edge
3. Back MFC - 18mm, PVC edges
4. Front - MFC 18 mm, PVC edges, plain hinge 110°
5. Shelf - MFC 18mm, PVC edge
6. Espagnolet lock
7. Base - MFC 18mm, PVC edge
8. Leveling feet 27mm - range 12mm
9. Option with additional charge - metal base - color 09 aluminium

PRODUCT ILLUSTRATION	DIMENSIONS [mm]			INDEX SYMBOL						COMMENTS
	WIDTH	DEPTH	HEIGHT			kg	m3	pcs		
<b>60H STORAGEES 800 mm WIDE</b>										
	801	432	2185	IA6504		69.0	0.182	3		
	801	432	2185	IA6104		90.0	0.238	4		
<b>60H STORAGEES 1000 mm WIDE</b>										
	1000	432	2185	IA6505		89.0	0.203	3		
	1000	432	2185	IA6105		115.0	0.273	4		
<b>60H STORAGEES 1200 mm WIDE</b>										
	1200	432	2185	IA6506		101.0	0.241	3		
	1200	432	2185	IA6106		131.0	0.325	4		

DESCRIPTION

- NET WEIGHT

VOLUME

NUMBER OF PACKAGES



PRODUCT ILLUSTRATION	DIMENSIONS [mm]			INDEX SYMBOL						COMMENTS
	WIDTH	DEPTH	HEIGHT			kg	m3	pcs		

**50H STORAGEES 400 mm WIDE**

	402	432	1833	<b>IA5902</b>		39.0	0.091	3		
	402	432	1833	<b>IA58P2</b>		41.0	0.103	3		
	402	432	1833	<b>IA56P2</b>		46.0	0.103	3		right door

**50H STORAGEES 800 mm WIDE**

	801	432	1833	<b>IA5504</b>		59.0	0.182	3		
	801	432	1833	<b>IA5404</b>		67.0	0.202	4		
	801	432	1833	<b>IA5304</b>		71.0	0.212	4		
	801	432	1833	<b>IA5104</b>		76.0	0.230	4		

**50H STORAGEES 1000 mm WIDE**

	1000	432	1833	<b>IA5505</b>		77.0	0.178	3		
	1000	432	1833	<b>IA5105</b>		98.0	0.237	4		

DESCRIPTION

- NET WEIGHT

VOLUME

NUMBER OF PACKAGES

PRODUCT ILLUSTRATION	DIMENSIONS [mm]			INDEX SYMBOL						COMMENTS
	WIDTH	DEPTH	HEIGHT			kg	m3	pcs		

**50H STORAGE 1200 mm WIDE**

	1200	432	1833	IA5506		86.0	0.207	3		
	1200	432	1833	IA5106		111.0	0.278	4		

**40H STORAGE 800 mm WIDE**

	801	432	1481	IA4504		49.0	0.129	3		
	801	432	1481	IA4404		56.0	0.149	4		
	801	432	1481	IA4304		60.0	0.159	4		
	801	432	1481	IA4104		62.0	0.187	4		

**40H STORAGE 1200 mm WIDE**

	1200	432	1481	IA4506		62.0	0.189	3		
--	------	-----	------	--------	--	------	-------	---	--	--

DESCRIPTION

- NET WEIGHT

VOLUME

NUMBER OF PACKAGES

PRODUCT ILLUSTRATION	DIMENSIONS [mm]			INDEX SYMBOL						COMMENTS
	WIDTH	DEPTH	HEIGHT			kg	m3	pcs		

**3OH STORAGES 400 mm WIDE**

	402	432	1129	IA3902		25.0	0.066	3		
	402	432	1129	IA38P2		29.0	0.071	3		right door
	402	432	1129	IA36P2		30.0	0.072	3		right door

**3OH STORAGES 800 mm WIDE**

	801	432	1129	IA3504		39.0	0.106	3		
	801	432	1129	IA3404		42.0	0.124	4		
	801	432	1129	IA3104		50.0	0.136	4		

**3OH STORAGES 1000 mm WIDE**

	1000	432	1129	IA3505		51.0	0.118	3		
	1000	432	1129	IA3105		64.0	0.156	4		

DESCRIPTION

- NET WEIGHT

VOLUME

NUMBER OF PACKAGES

PRODUCT ILLUSTRATION	DIMENSIONS [mm]			INDEX SYMBOL						COMMENTS
	WIDTH	DEPTH	HEIGHT			kg	m3	pcs		

**3OH STORAGES 1200 mm WIDE**

	1200	432	1129	IA3506		57.0	0.141	3		
	1200	432	1129	IA3106		72.0	0.186	4		

**3OH STORAGE 1600 mm WIDE**

	1600	432	1129	IA3508		73.0	0.176	3		
--	------	-----	------	--------	--	------	-------	---	--	--

DESCRIPTION

- NET WEIGHT

VOLUME

NUMBER OF PACKAGES

PRODUCT ILLUSTRATION	DIMENSIONS [mm]			INDEX SYMBOL						COMMENTS
	WIDTH	DEPTH	HEIGHT			kg	m3	pcs		

20H STORAGEES

	402	432	777	IA2902		19.0	0.048	3		
	402	432	777	IA26P2		22.0	0.056	3		right door
	801	432	740	IA25B4		29.0	0.086	3		
	801	432	740	IA21B4		35.5	0.105	4		
	801	432	777	IA2504		30.0	0.086	3		
	801	432	777	IA2104		37.0	0.105	4		
	1200	432	777	IA2506		46.0	0.126	3		
	1600	432	777	IA2508		55.0	0.147	3		

DESCRIPTION

- NET WEIGHT

VOLUME

NUMBER OF PACKAGES

PRODUCT ILLUSTRATION	DIMENSIONS [mm]			INDEX SYMBOL						COMMENTS
	WIDTH	DEPTH	HEIGHT			kg	m3	pcs		

**2 OH STACK-ON STORAGES**

	402	432	750	<b>IA1902</b>		18.0	0.041	2		
	402	432	750	<b>IA16P2</b>		21.0	0.048	2		right door
	801	432	750	<b>IA1504</b>		23.0	0.052	2		
	801	432	750	<b>IA1104</b>		30.0	0.072	3		

DESCRIPTION

- NET WEIGHT

VOLUME

NUMBER OF PACKAGES

TECHNICAL SPECIFICATION

COLOURS

TOP, BOTTOM



14 BEECH



26 ALUMINUM SATINATO



31 CANADIAN OAK



34 CHESTNUT



39 POLAR BIRCH



64 COCOA



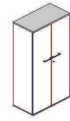
67 WHITE PASTEL



106 LOWLAND NUT



154 ANTHRACITE



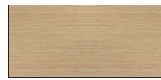
FRONT



14 BEECH



26 ALUMINUM SATINATO



31 CANADIAN OAK



34 CHESTNUT



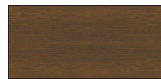
39 POLAR BIRCH



64 COCOA



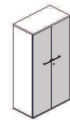
67 WHITE PASTEL



106 LOWLAND NUT



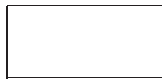
154 ANTHRACITE



BODY - FIRST GROUP



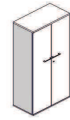
26 ALUMINUM SATINATO



67 WHITE PASTEL



154 ANTHRACITE



BODY - SECOND GROUP



14 BEECH



31 CANADIAN OAK



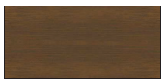
34 CHESTNUT



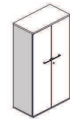
39 POLAR BIRCH



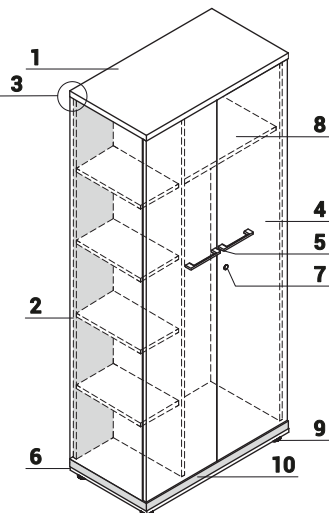
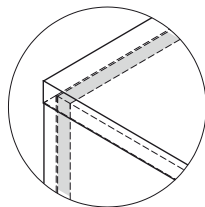
64 COCOA



106 LOWLAND NUT



WARDROBES

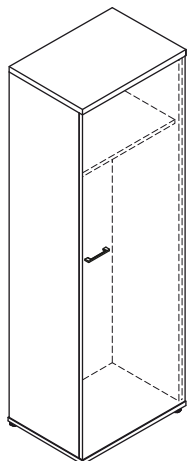


1. Top - MFC 28mm, PVC edge
2. Side panels - MFC 18mm, PVC edge
3. Back MFC - 18mm, PVC edges
4. Front - MFC 18 mm, PVC edges, plain hinge 110°
5. Aluminium handle
6. Base - MFC 18mm, PVC edge
7. Espagnolet lock
8. Shelf - MFC 18mm, PVC edge
9. Leveling feet 27mm - range 12mm
10. Option with additional charge - metal base - color 09 aluminium

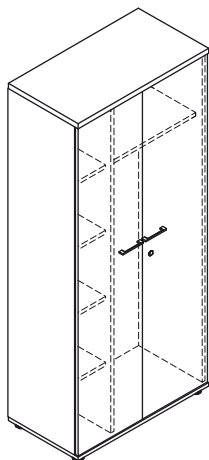
TECHNICAL SPECIFICATION

WARDROBES

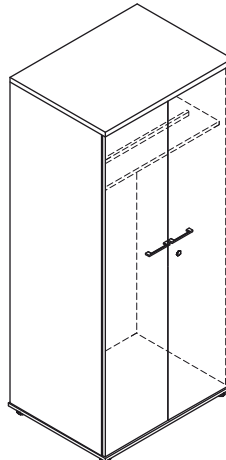
IA57P3\*\*



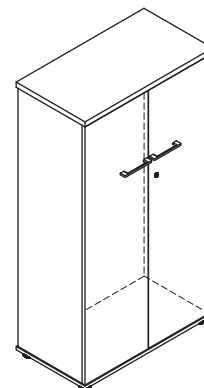
IA52P4\*



IA6204\*



IA4204\*\*



\* Coat rod \*\* Slide-out hanger



PRODUCT ILLUSTRATION	DIMENSIONS [mm]			INDEX SYMBOL						COMMENTS
	WIDTH	DEPTH	HEIGHT			kg	m3	pcs		

**WARDROBES**

	602	432	1833	IA57P3		54.0	0.146	3		wardrobe with slide out hanger, right door; espagnolette lock
	801	600	1833	IA6204		72.0	0.191	3		wardrobe with coat rod, espagnolette lock
	801	432	1833	IA52P4		76.0	0.215	3		wardrobe/storage cabinet with slide out hanger, espagnolette lock
	802	432	1481	IA4204		52.0	0.137	4		wardrobe with slide out hanger, 4 OH; espagnolette lock

**2 OH STACK-ON STORAGES**

	602	432	750	IA16P3		27.0	0.067	2		
--	-----	-----	-----	--------	--	------	-------	---	--	--

DESCRIPTION

- NET WEIGHT

VOLUME

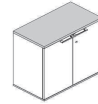
NUMBER OF PACKAGES



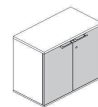
TECHNICAL SPECIFICATION

COLOURS

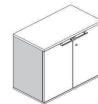
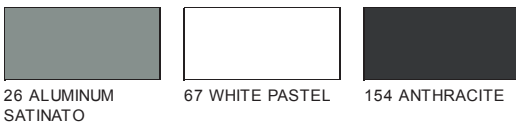
TOP, BOTTOM



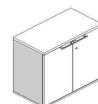
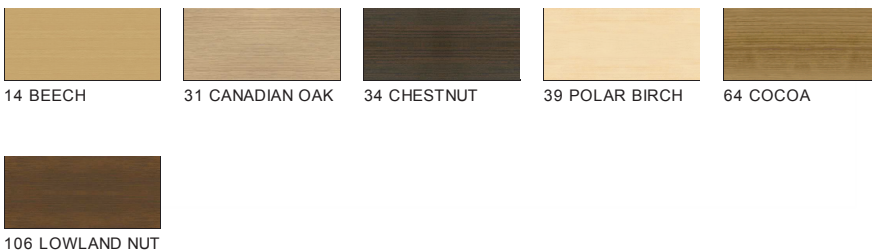
FRONT



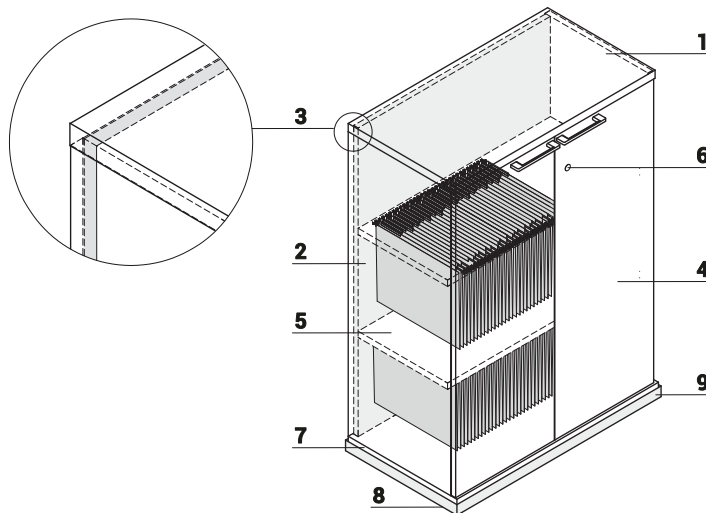
BODY - FIRST GROUP



BODY - SECOND GROUP



STORAGES AND FILING CABINETS WITH METAL SHELVES



1. **Top** - MFC 28mm, PVC edge
2. **Side panels** - MFC 18mm, PVC edge
3. **Back MFC** - 18mm, PVC edges
4. **Front** - MFC 18 mm, PVC edges, plain hinge 110°
5. Metal shelf with possibility of using suspension files, max load 41kg, color 09 - aluminium
6. Espagnolet lock
7. **Base** - MFC 18mm, PVC edge
8. **Leveling feet 27mm** - range 12mm
9. **Option with additional charge** - metal base - color 09 aluminium

PRODUCT ILLUSTRATION	DIMENSIONS [mm]			INDEX SYMBOL						COMMENTS
	WIDTH	DEPTH	HEIGHT			kg	m3	pcs		

**STORAGES AND FILING CABINETS WITH METAL SHELVES**

	801	432	1129	IA3504TM		38.0	0.106	3		number of shelves - 2pcs
	801	432	1129	IA3104TM		49.0	0.136	4		number of shelves - 2pcs
	1000	432	1129	IA3505TM		42.0	0.118	3		number of shelves - 2pcs
	1000	432	1129	IA3105TM		55.0	0.156	4		number of shelves - 2pcs
	1200	432	1129	IA3506TM		49.0	0.149	3		number of shelves - 2pcs
	1200	432	1129	IA3106TM		64.0	0.194	4		number of shelves - 2pcs
	801	432	1833	IA5504TM		57.0	0.182	3		number of shelves - 4pcs
	801	432	1833	IA5104TM		74.0	0.230	4		number of shelves - 4pcs
	1000	432	1833	IA5505TM		62.0	0.177	3		number of shelves - 4pcs

DESCRIPTION

- NET WEIGHT

VOLUME

NUMBER OF PACKAGES

PRODUCT ILLUSTRATION	DIMENSIONS [mm]			INDEX SYMBOL						COMMENTS
	WIDTH	DEPTH	HEIGHT			kg	m3	pcs		

**STORAGES AND FILING CABINETS WITH METAL SHELVES**

	1000	432	1833	IA5105TM		83.0	0.236	4		number of shelves - 4pcs
	1200	432	1833	IA5506TM		69.0	0.240	3		number of shelves - 4pcs
	1200	432	1833	IA5106TM		94.0	0.311	4		number of shelves - 4pcs

**FILING DRAWERS CABINETS**

	801	432	1129	IA3F04		54.7	0.435	2		suspension file drawers without - open bottom
	1000	432	1129	IA6F04		90.0	0.546	2		suspension file drawers with bottom
	801	432	1833	IA54B4		76.1	0.699	2		suspension file drawers without - open bottom
	801	432	1833	IA54C4		72.5	0.699	2		suspension file drawers without - open bottom

DESCRIPTION

- NET WEIGHT

VOLUME

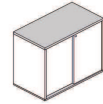
NUMBER OF PACKAGES



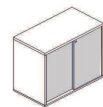
TECHNICAL SPECIFICATION

COLOURS

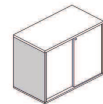
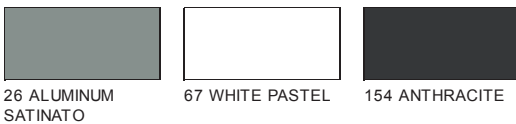
TOP, BOTTOM



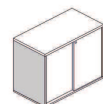
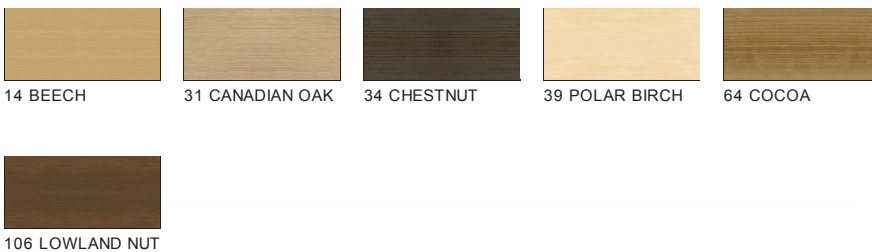
FRONT



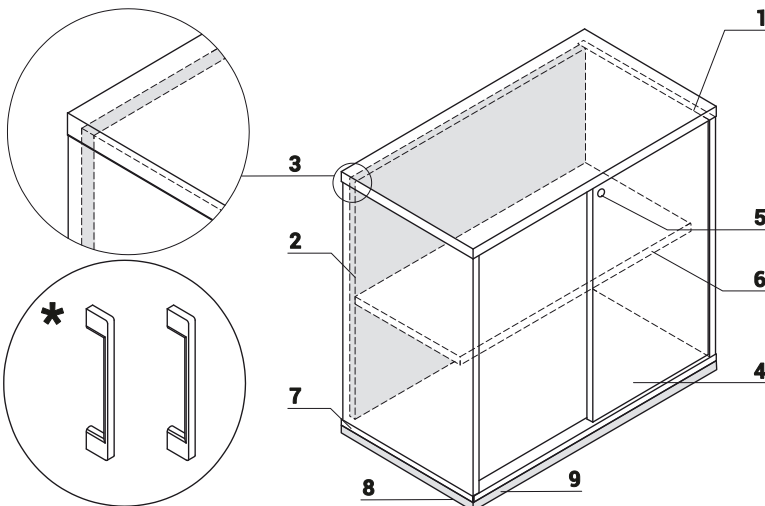
BODY - FIRST GROUP



BODY - SECOND GROUP



SLIDING DOOR STORAGES



- 1. Top - MFC 28mm, PVC edge
- 2. Side panels - MFC 18mm, PVC edge
- 3. Back MFC - 18mm, PVC edges
- 4. Sliding front - MFC 18mm, PVC edge
- 5. Patent lock
- 6. Shelf - MFC 18mm, PVC edge
- 7. Base - MFC 18mm, PVC edge
- 8. Leveling feet 27mm - range 12mm
- 9. Option with additional charge - metal base - color 09 aluminium

\* - Handle - aluminum, ordered separately

PRODUCT ILLUSTRATION	DIMENSIONS [mm]			INDEX SYMBOL						COMMENTS
	WIDTH	DEPTH	HEIGHT			kg	m3	pcs		

**SLIDING DOOR STORAGES**

	800	432	740	<b>IA2P04</b>		37.0	0.107	4		no handles
	1000	432	740	<b>IA2P05</b>		43.5	0.127	4		no handles
	1200	432	740	<b>IA2P06</b>		44.0	0.142	4		no handles
	1600	432	740	<b>IA2P08</b>		68.0	0.181	4		no handles
	1610	432	740	<b>IA2P16</b>		68.0	0.183	4		no handles
	800	432	1129	<b>IA3P04</b>		50.0	0.141	4		no handles
	1000	432	1129	<b>IA3P05</b>		64.0	0.165	4		no handles
	1200	432	1129	<b>IA3P06</b>		78.0	0.196	4		no handles
	1600	432	1129	<b>IA3P08</b>		93.0	0.259	4		no handles

DESCRIPTION

- NET WEIGHT

VOLUME

NUMBER OF PACKAGES



PRODUCT ILLUSTRATION	DIMENSIONS [mm]			INDEX SYMBOL						COMMENTS
	WIDTH	DEPTH	HEIGHT			kg	m3	pcs		

**SLIDING DOOR STORAGES**

	1610	432	1129	IA3P16		93.0	0.264	4		no handles
	800	432	1481	IA4P04		62.0	0.173	4		no handles
	1000	432	1481	IA4P05		80.0	0.201	4		no handles
	1200	432	1481	IA4P06		92.0	0.239	4		no handles
	800	432	1833	IA5P04		75.0	0.219	4		no handles
	1000	432	1833	IA5P05		95.0	0.237	4		no handles
	1200	432	1833	IA5P06		106.0	0.282	4		no handles

**TAMBOUR STACK-ON STORAGE**

	1200	432	750	IA1P06		62.0	0.156	4		Stack-on storage, no handles
--	------	-----	-----	--------	--	------	-------	---	--	------------------------------

**HANDLES**

	160	110	20	HPR2		0.2	0.000	1		handles PRO (2 pcs)
--	-----	-----	----	------	--	-----	-------	---	--	---------------------

DESCRIPTION

- NET WEIGHT

VOLUME

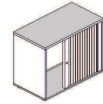
NUMBER OF PACKAGES



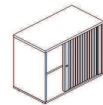
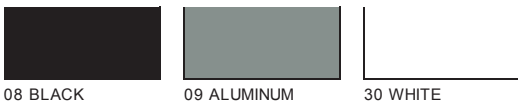
TECHNICAL SPECIFICATION

COLOURS

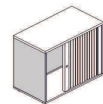
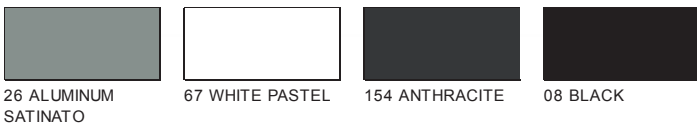
TOP, BOTTOM



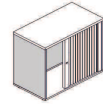
FRONT - TAMBOUR



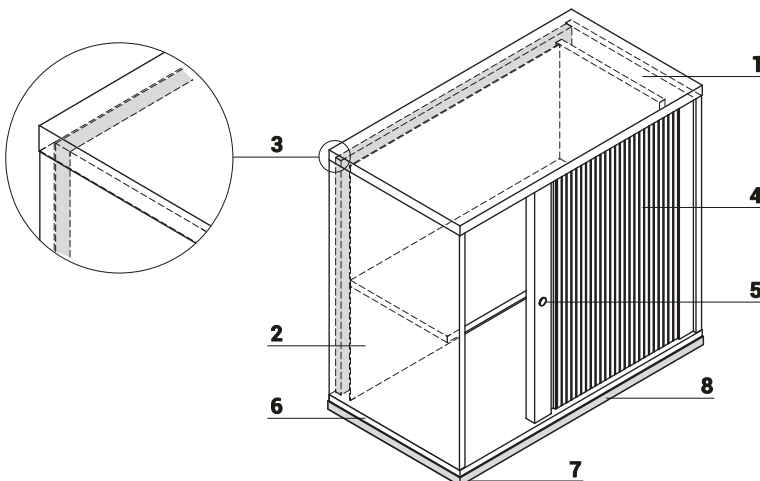
BODY - FIRST GROUP



BODY - SECOND GROUP



TAMBOUR STORAGES



1. **Top** - MFC 28mm, PVC edge
2. **Side panels** - MFC 18mm, PVC edge
3. **Back MFC** - 18mm, PVC edges
4. **Front** - tambour
5. Patent lock
6. **Base** - MFC 18mm, PVC edge
7. **Leveling feet 27mm** - range 12mm
8. **Option with additional charge** - metal base - color 09 aluminium

PRODUCT ILLUSTRATION	DIMENSIONS [mm]			INDEX SYMBOL						COMMENTS
	WIDTH	DEPTH	HEIGHT			kg	m3	pcs		

**TAMBOUR STORAGES**

	800	432	740	<b>IA2L04</b>		34.6	0.318	2		
	1000	432	740	<b>IA2L05</b>		46.0	0.410	2		
	1200	432	740	<b>IA2L06</b>		49.5	0.485	2		
	1600	432	740	<b>IA2L08</b>		60.0	0.645	2		
	1610	432	740	<b>IA2L16</b>		60.0	0.648	2		
	800	432	1129	<b>IA3L04</b>		58.0	0.467	2		
	1000	432	1129	<b>IA3L05</b>		61.0	0.581	2		
	1200	434	1129	<b>IA3L06</b>		67.4	0.695	2		
	1600	432	1129	<b>IA3L08</b>		81.0	0.923	2		

DESCRIPTION

- NET WEIGHT

VOLUME

NUMBER OF PACKAGES

PRODUCT ILLUSTRATION	DIMENSIONS [mm]			INDEX SYMBOL						COMMENTS
	WIDTH	DEPTH	HEIGHT			kg	m3	pcs		

**TAMBOUR STORAGES**

	1610	432	1129	<b>IA3L16</b>		81.0	0.929	2		
	800	432	1481	<b>IA4L04</b>		44.0	0.605	2		
	1000	432	1481	<b>IA4L05</b>		73.0	0.732	3		
	1200	432	1481	<b>IA4L06</b>		81.0	0.875	3		

DESCRIPTION

- NET WEIGHT

VOLUME

NUMBER OF PACKAGES



**TECHNICAL SPECIFICATION**

**COLOURS**

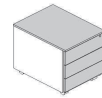
**MOBILE PEDESTAL SLD**



67 WHITE PASTEL



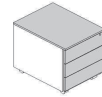
73 HIGH GLOSS WHITE



08 BLACK



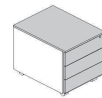
101 HIGH GLOSS BLACK



26 ALUMINUM SATINATO



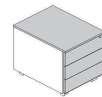
148 HIGH GLOSS GRAY



154 ANTHRACITE



155 ANTHRACITE HIGH GLOSS



**CUSHION SKP13 - FABRIC NEMO**



NE-1 BEIGE



NE-2 YELLOW



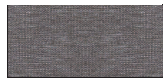
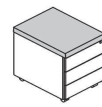
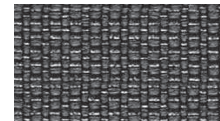
NE-3 ORANGE



NE-5 RED



NE-9 GREEN



NE-10 GREY



NE-14 DARK GREY



NE-15 NAVY BLUE



NE-16 BLACK



NE-17 BLUE

**CUSHION SKP13 - FABRIC RUNNER - SECOND GROUP**



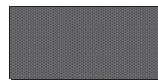
R-63034 ORANGE



R-64089 RED



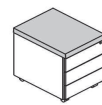
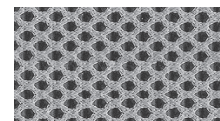
R-66063 BLUE



R-60011 GREY



R-68056 GREEN



R-66064 NAVY-BLUE



R-60999 BLACK



R-60025 DARK GREY



R-61128 BEIGE

**CUSHION SKP13 - FABRIC MEDLEY - SECOND GROUP**



M-68005 DARK OLIVE



M-68002 LIGHT OLIVE



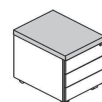
M-68115 GREEN



M-61002 BEIGE



M-67053 NAVY BLUE



M-67006 LIGHT BLUE



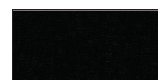
M-66008 GREY



M-6419 RED



M-63064 PINK



M-60999 BLACK

**TECHNICAL SPECIFICATION**

**COLOURS**

**CUSHION SKP13 - FABRIC ATLANTIC - SECOND GROUP**



**CUSHION SKP13 - FABRIC BLAZER - THIRD PRICE GROUP**



**CUSHION SKP13 - FABRIC XTREME - THIRD PRICE GROUP**





**TECHNICAL SPECIFICATION**

**COLOURS**

**TOP, BOTTOM, BODY**



08 BLACK



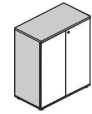
26 ALUMINUM SATINATO



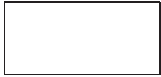
67 WHITE PASTEL



154 ANTHRACITE



**FRONT HPL**



73 HIGH GLOSS WHITE



74 HIGH GLOSS ORANGE



80 HIGH GLOSS LIME



81 HIGH GLOSS BURGUNDY



101 HIGH GLOSS BLACK



102 HIGH GLOSS YELLOW



108 BLUE HIGH GLOSS



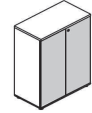
127 HIGH GLOSS FUCHSIA



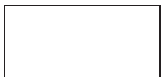
148 HIGH GLOSS GRAY



155 ANTHRACITE HIGH GLOSS



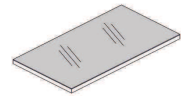
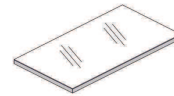
**TOP - A80GT**



67 WHITE PASTEL



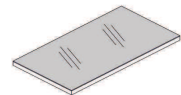
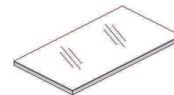
WHITE, LACOBEL



26 ALUMINUM SATINATO



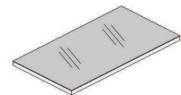
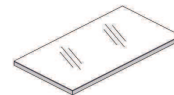
WHITE, LACOBEL



08 BLACK



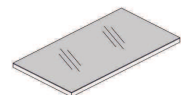
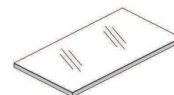
BLACK, LACOBEL



154 ANTHRACITE

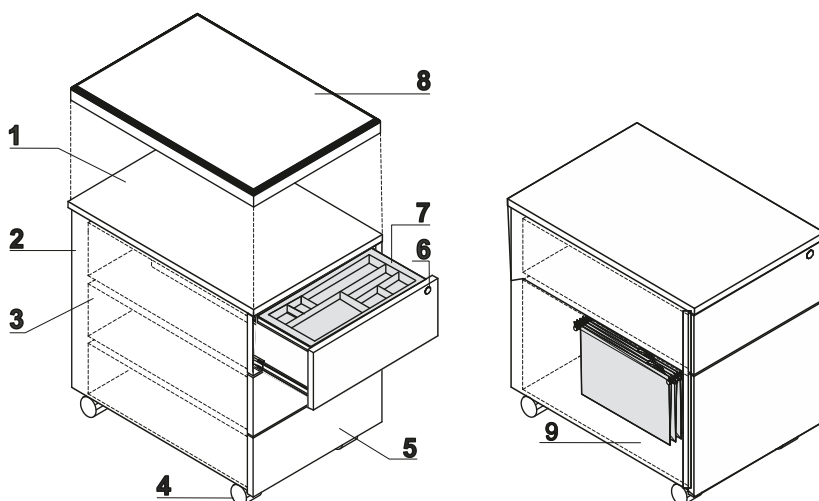


BLACK, LACOBEL



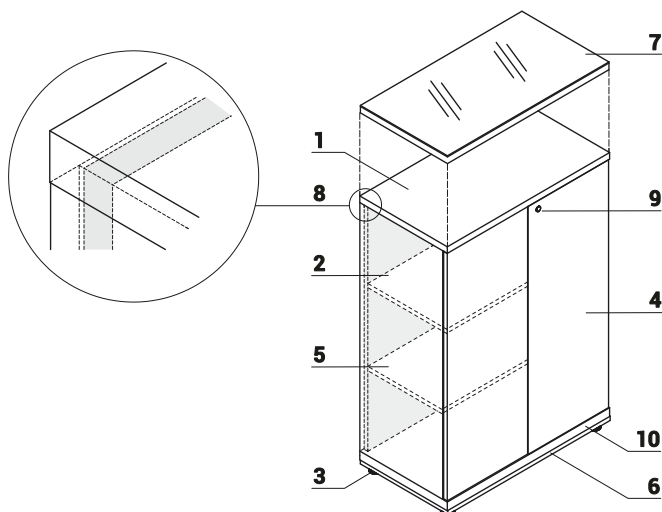
TECHNICAL SPECIFICATION

MOBILE PEDESTAL WITHOUT HANDLES



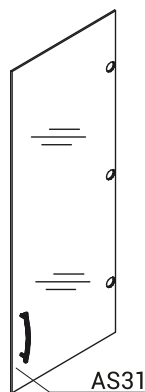
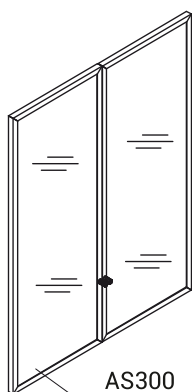
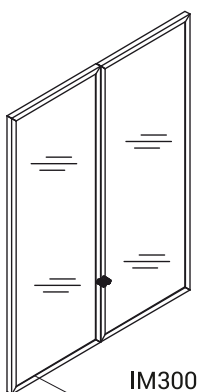
1. **Top** - MFC 18mm, covered with high gloss HPL
2. **Body** - MFC 18mm, PVC edge
3. **Metal drawer** - roll runners, max load 25kg, 80% extraction; Anti - tilt mechanism; OPTIONAL: ball runners, soft closing
4. **Castors** - Ø50mm, two with brakes
5. **Front** - HPL 18mm - high gloss, PVC edge
6. **Central lock** - foldable key
7. **Pencil tray** - black plastic
8. **Cushion SKP13** - for pedstal, order separately, max load 120kg
9. **Suspension files drawer** - ball runners, max load 30kg, 100% extraction, A4 folders must be inserted parallelly to the front

HPL FRONT STORAGES



1. **Top** - MFC 28mm, PVC edge
2. **Side panels** - MFC 18mm, PVC edge
3. **Leveling feet 27mm** - range 12mm
4. **Front** - 'Push - to- Open', covered with HPL - high gloss
5. **Shelf** - MFC 18mm, PVC edge
6. **Base** - MFC 18mm, PVC edge
7. **Top** - MFC 28mm with LACKOBEL glass 4mm - ordered separately
8. **Back MFC** - 18mm, PVC edges
9. Patent lock
10. **Option with additional charge** - metal base - color 09 aluminium

ADDITIONAL ELEMENTS FOR STORAGE



IM300  
 - glass door 30H  
 - transparent tempered glass 4mm, with aluminium frame

AS300  
 - glass door 30H  
 - frosted tempered glass 4mm, with aluminium frame

AS31  
 - glass door 30H  
 - transparent tempered glass 4mm  
 - universal (left, right)

PRODUCT ILLUSTRATION	DIMENSIONS [mm]			INDEX SYMBOL	PRICE EUR				COMMENTS
	WIDTH	DEPTH	HEIGHT			kg	m3	pcs	

**MOBILE PEDESTAL WITHOUT HANDLES WITH HPL TOP AND FRONT**

	416	600	587	<b>SLD12HT</b>	385,-	23.0	0.158	1	mobile with suspension files drawer, drawers depth – 500mm
	416	600	587	<b>SLD13HT</b>	360,-	23.0	0.158	1	drawers depth - 500mm

**PEDESTAL CUSHION**

	400	600	52	<b>SKP13</b>	60,-	3.0	0.017	1	
--	-----	-----	----	--------------	------	-----	-------	---	--

**ADDITIONAL CHARGE**

FEATURE	PRODUCT												COMMENTS
	SLD12HT	SLD13HT	SKP13							kg	m3	pcs	
II PRICE GROUP			26,-							0.0	0.0000	0	
SELF CLOSING SYSTEM	28,-	28,-	26,-							1.0	0.0010	1	
BALL RUNNERS	10,-	30,-								1.0	0.0010	1	

## DESCRIPTION

- NET WEIGHT

VOLUME

NUMBER OF PACKAGES

PRODUCT ILLUSTRATION	DIMENSIONS [mm]			INDEX SYMBOL						COMMENTS
	WIDTH	DEPTH	HEIGHT			kg	m3	pcs		

## HPL FRONT STORAGES

	801	432	777	<b>A2104HZ</b>		35.0	0.093	3		
	801	432	1129	<b>A3404HZ</b>		40.0	0.111	3		
	801	432	1129	<b>A3104HZ</b>		44.0	0.120	3		
	801	432	1833	<b>A5404HZ</b>		65.0	0.189	3		
	801	432	1833	<b>A5104HZ</b>		75.0	0.216	3		

## ADDITIONAL ELEMENTS

	800	432	33	<b>A800GT</b>		8.0	0.017	1		glass + mfc
	397	5	1050	<b>AS31</b>		6.5	0.034	1		universal glass door (1pcs) 3OH, transparent tempered glass
	800	20	1050	<b>AS300</b>		10.3	0.037	1		glass doors (2pcs) 3OH aluminum frame, frosted tempered glass
	800	20	1050	<b>IM300</b>		10.0	0.039	1		glass doors (2pcs) 3OH aluminum frame, transparent tempered glass

DESCRIPTION

- NET WEIGHT

VOLUME

NUMBER OF PACKAGES